



COOKING EQUIPMENT

SERVING THE INDUSTRY SINCE 1952

# COUNTERTOP CONVECTION OVENS

Item: 43217  
Model: CE-CN-0021

Item: 43218  
Model: CE-CN-0047

Item: 45599  
Model: CE-CN-0066

These models are designed perfectly for coffee shops, small bakeries and restaurants. Feature adjustable timers and temperature controls that to ensure your baked goods cook evenly to perfection.



Item 45599

Item 43218

Item 43217



**WARRANTY**  
PARTS AND LABOR



Authorized Dealer

# COOKING EQUIPMENT

## COUNTERTOP CONVECTION OVEN - QUARTER SIZE



# NELLA



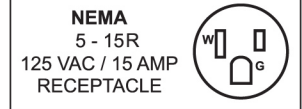
### Features:

- 21L convection oven for small restaurants, bars, coffee shops, ideal for fast cheese melting & toasting
- Functions of baking, defrosting, warming, reheating
- To bake cookies, muffins, steak, biscuits, cake, bread, hamburgers, sandwiches, pizza rapidly
- Air forced heat circulation for even cooking
- Heavy duty stainless steel housing and exterior
- Double pane glass door to view inside
- Temperature adjustable from 65-250°C/ 150-500°F
- Elegant cool touch aluminum handle
- 120 minutes timer with bell
- Shelf size: 13.7" x 11" / 348 x 280mm
- Power on and ready indication light
- Accessories: 3 chrome wire racks included

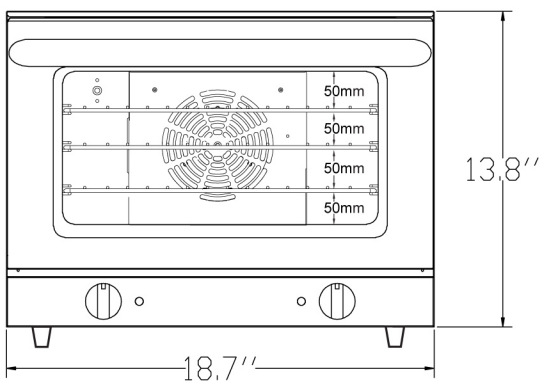
### TECHNICAL SPECIFICATION

ITEM NUMBER	43217
MODEL	CE-CN-0021
POWER	1440 watts
NUMBER OF RACKS	3
PANS SIZE*	1/4 (13" x 9" x 1" / 330 x 230 x 25mm)
TEMPERATURE RANGE	65 - 250°C / 150 - 500°F
CAPACITY	21L / 0.74 cu.ft
ELECTRICAL	120V/60Hz/1
ADJUSTABLE TIMER	0 - 120 mins
NET WEIGHT	32.4 lbs. / 14.7 kgs.
GROSS WEIGHT	37 lbs. / 16.8 kgs
NET DIMENSIONS	18.7" x 20" x 15" / 475 x 503 x 380 mm
GROSS DIMENSIONS	22" x 22" x 18" / 565 x 565 x 455 mm

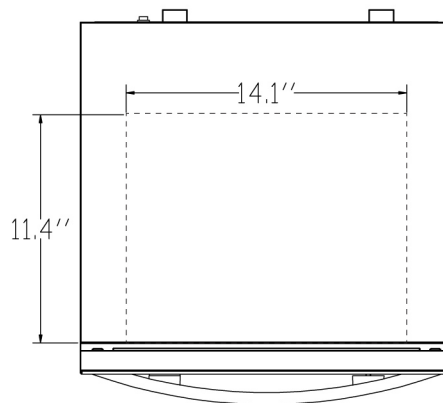
\*Pans not included



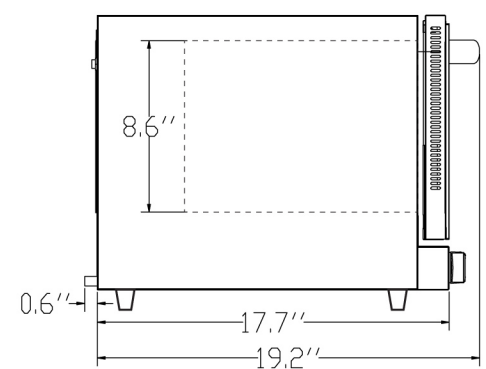
(Front view)



(Top view)



(Side view)



# NELLA

Telephone: 416-740-2424  
 Email: [help@nellaonline.com](mailto:help@nellaonline.com)  
 Website: [www.nellaonline.com](http://www.nellaonline.com)

# COOKING EQUIPMENT

## COUNTERTOP CONVECTION OVEN - HALF SIZE



# NELLA



### Features:

- 47L convection oven for small restaurants, bars, coffee shops, ideal for fast cheese melting & toasting
- Functions of baking, defrosting, warming, reheating
- To bake cookies, muffins, steak, biscuits, cake, bread, hamburgers, sandwiches, pizza rapidly
- Air forced heat circulation for even cooking
- Heavy duty stainless steel housing and exterior
- Double pane glass door to view inside
- Temperature adjustable from 65-250°C/ 150-500°F
- Elegant cool touch aluminum handle
- 120 minutes timer with bell
- Shelf size: 18" x 13"/ 460 x 330mm
- Power on and ready indication light
- Accessories: 4 chrome wire racks

### TECHNICAL SPECIFICATION

ITEM NUMBER	43218
MODEL	CE-CN-0047
POWER	1600 watts
NUMBER OF RACKS	4
PANS SIZE*	1/2 (18" x 13" x 1" / 460 x 330 x 25mm)
TEMPERATURE RANGE	65 - 250°C / 150 - 500°F
CAPACITY	47L / 1.66 cu.ft
ELECTRICAL	120V/60Hz/1
ADJUSTABLE TIMER	0 - 120 mins
NET WEIGHT	43.4 lbs. / 19.7 kgs.
GROSS WEIGHT	49 lbs. / 22.3 kgs
NET DIMENSIONS	22.8" x 22.4" x 16" / 580 x 570 x 406 mm
GROSS DIMENSIONS	26" x 26" x 18" / 650 x 650 x 465 mm

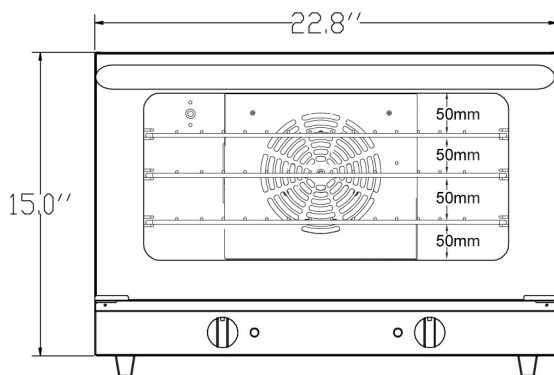
\*Pans not included



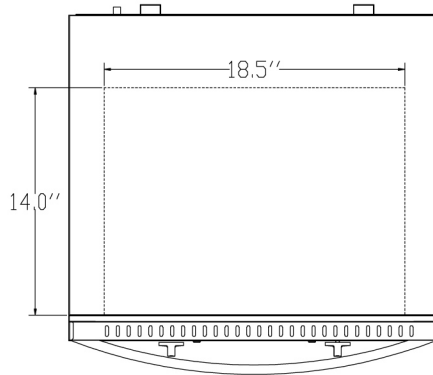
**NEMA**  
5 - 20R  
125 VAC / 20 AMP  
RECEPTACLE



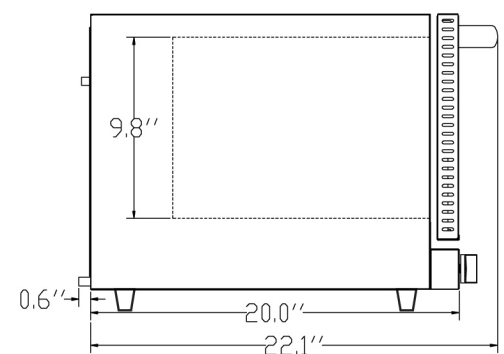
(Front view)



(Top view)



(Side view)



# NELLA

Telephone: 416-740-2424  
Email: [help@nellaonline.com](mailto:help@nellaonline.com)  
Website: [www.nellaonline.com](http://www.nellaonline.com)

# COOKING EQUIPMENT

## COUNTERTOP CONVECTION OVEN - HALF SIZE



# NELLA



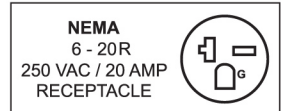
### Features:

- 66L convection oven for small restaurants, bars, coffee shops, ideal for fast cheese melting & toasting
- Functions of baking, defrosting, warming, reheating
- To bake cookies, muffins, steak, biscuits, cake, bread, hamburgers, sandwiches, pizza rapidly
- Air forced heat circulation for even cooking
- Heavy duty stainless steel housing and exterior
- Double pane glass door to view inside
- Temperature adjustable from 65-250°C/ 150-500°F
- Elegant cool touch aluminum handle
- 120 minutes timer with bell
- Shelf size: 18" x 26" / 460 x 660mm
- Power on and ready indication light
- Accessories: 4 chrome wire racks included

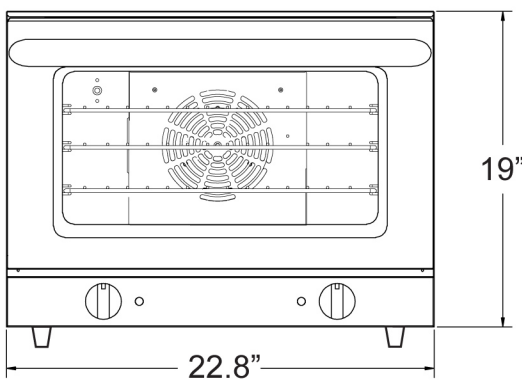
### TECHNICAL SPECIFICATION

ITEM NUMBER	45599
MODEL	CE-CN-0066
POWER	2800 watts
NUMBER OF RACKS	4
PANS SIZE*	1/2 (18" x 26" / 460 x 660mm)
TEMPERATURE RANGE	65 - 250°C / 150 - 500°F
CAPACITY	66L / 2.3 cu.ft
ELECTRICAL	220V/60Hz/1
ADJUSTABLE TIMER	0 - 120 mins
NET WEIGHT	23.6 Kg
GROSS WEIGHT	27 Kg
NET DIMENSIONS	22.8" x 22" x 20" / 580 x 570 x 510 mm
GROSS DIMENSIONS	23.6" x 25.6" x 22.8" / 600 x 650 x 580 mm

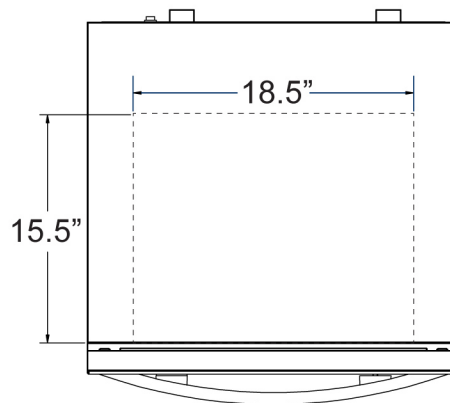
\*Pans not included



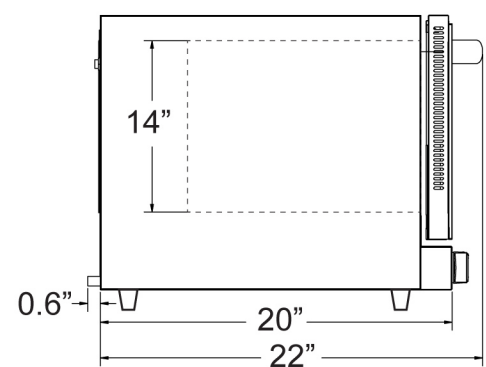
(Front view)



(Top view)



(Side view)



# NELLA

Telephone: 416-740-2424  
 Email: [help@nellaonline.com](mailto:help@nellaonline.com)  
 Website: [www.nellaonline.com](http://www.nellaonline.com)