

SERVING THE INDUSTRY SINCE 1952

## OUTDOOR COMMERCIAL PROPANE GRIDDLE

Model: GR-CN-0914

Item: 43022

### 36" Outdoor Propane Griddle

Enjoy outdoor cooking with the Nella Outdoor Propane Griddle. Ideal for cooking sausages, bacons, eggs, pancakes, and burgers! The four independently controlled burners each produce 12,000 BTUs. The thick griddle top provides even heat distribution and comes with splash guards which protect people from hot flying grease. It also comes with a reliable electronic ignition which ensures quick start on every use. This outdoor propane griddle runs on a 20-lb propane canister and has foldable side tables which make it perfect for easy storage and transportation.

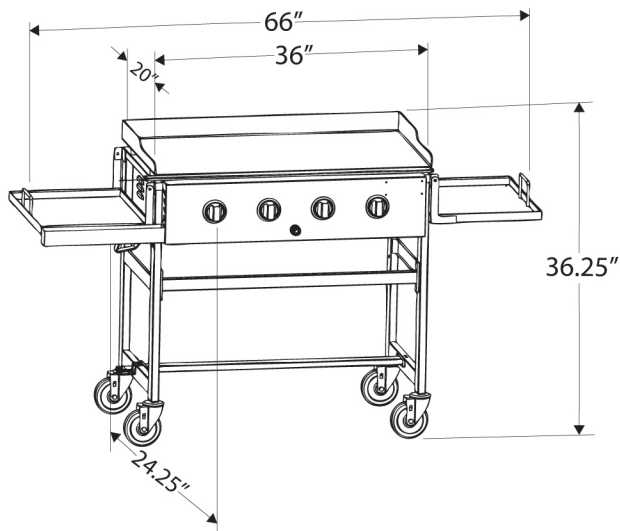


**SERVING THE FOOD INDUSTRY SINCE 1951**

## FEATURES

- 4.5mm griddle top with bake oil surface
- Four independent stainless steel tube burners with an output of 12,000 BTU per burner
- Foldable sides and tables for easy storage and transportation
- Electronic ignition
- Equipped with four 3-inch casters
- Grease pan for easy cleaning
- 36" x 20" cooking area / 720 square inches
- Fueled by liquid propane

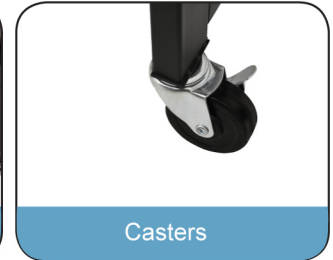
## PRODUCT DIMENSIONS



TECHNICAL SPECIFICATION	
ITEM NUMBER	43022
MODEL	GR-CN-0914
COOKING AREA	36" X 20"
NUMBER OF BURNERS	4 Pieces
GAS TYPE / PROPANE TANK SIZE	Liquid Propane / 20 lbs
DIMENSIONS(DWH)	66" x 24.25" x 36.25"
NET WEIGHT	54 kgs / 119 lbs
PACKAGING WEIGHT	60 kgs / 132 lbs
PACKAGING DIMENSIONS (DWH)	39" x 24" x 14.75"



Side Handles



Casters



Grease Pan



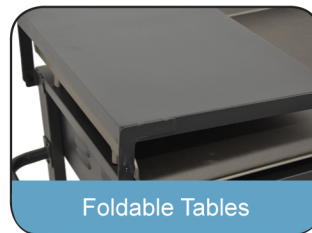
Stainless Steel Burner



Regulator



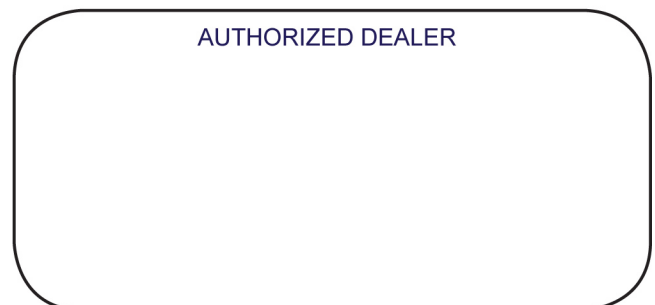
Independent Controls & Electronic Ignition



Foldable Tables



Griddle Top with Splash Guard



AUTHORIZED DEALER

