



KITCHEN EQUIPMENT

SERVING THE FOOD INDUSTRY SINCE 1951

12-INCH BLADE SLICER

Item: 21624 Model: MS-IT-0300-I



**EXCELLENT, EASY-TO-USE SLICER
PERFECT FOR YOUR KITCHEN**

▶ Perfect for low volume operations

Nella's 12-inch blade slicer have anodised aluminum alloy body. Boasting a 0.35 horsepower, this slicer offers exceptional cutting consistency and durability. Easy to disassemble for quick cleaning.



WARRANTY
PARTS AND LABOR



NEMA
5 - 15
125 VAC / 15 AMP



Authorized Dealer

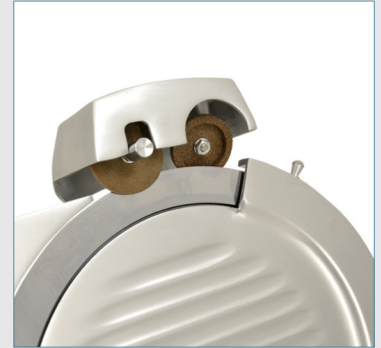
KITCHEN EQUIPMENT

12-INCH BLADE SLICER | MS-IT-0300-I

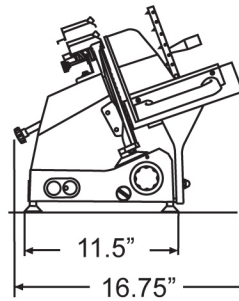
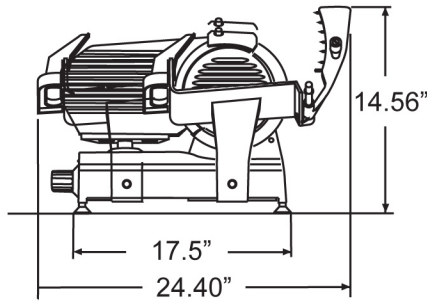
NELLA

- Perfect for low volume operations
- High carbon steel blades are hard chromed, with a hollow ground taper for extended sharpening and blade life
- Offers exceptional cutting consistency and durability
- Carriage moves smoothly on ball bearings allowing effortless cutting of deli meats and vegetables
- Easy to disassemble for quick cleaning

PRODUCT DETAILS



TECHNICAL DRAWINGS AND DIMENSIONS



ITEM NUMBER	21624
MODEL	MS-IT-0300-I
BLADE SIZE	12" / 300 mm
CUT THICKNESS	0 - 16 mm
CUTTING SIZE	8.66" x 7.5" / 219.9 x 190.5 mm
POWER	0.35 HP / 0.26 kW
CHEESE SLICING*	
SLICING VOLUME*	1 hour
RPM	300
ELECTRICAL	110V / 60Hz / 1Ph
WEIGHT	34 lbs. / 15.45 kg.
GROSS WEIGHT	49 lbs. / 22.27 kg.
DIMENSIONS (WDH)	24.40" x 16.75" x 14.56" / 620 x 425 x 370 mm
PACKAGING DIMENSIONS	25" x 21" x 20" / 635 x 533 x 508 mm

*CHEESE SLICING RATINGS NOT RECOMMENDED → POOR → AVERAGE → GOOD → EXCELLENT →
Results may vary due to product consistency and temperature.

NELLA

Telephone: 416-740-2424
Email: help@nellaonline.com
Website: www.nellaonline.com