

NELLA

FOOD EQUIPMENT

SERVING THE INDUSTRY SINCE 1952

PIZZA MOULDER WITH 15.75" MAX ROLLER WIDTH

Item: 13177

Model: BE-IT-0406

This commercial automatic electric pizza moulder saves time in pizza and bread dough rolling. The dough is not heated in the process and its characteristics are not affected. Thickness and diameter can easily be adjusted.



Authorized Dealer



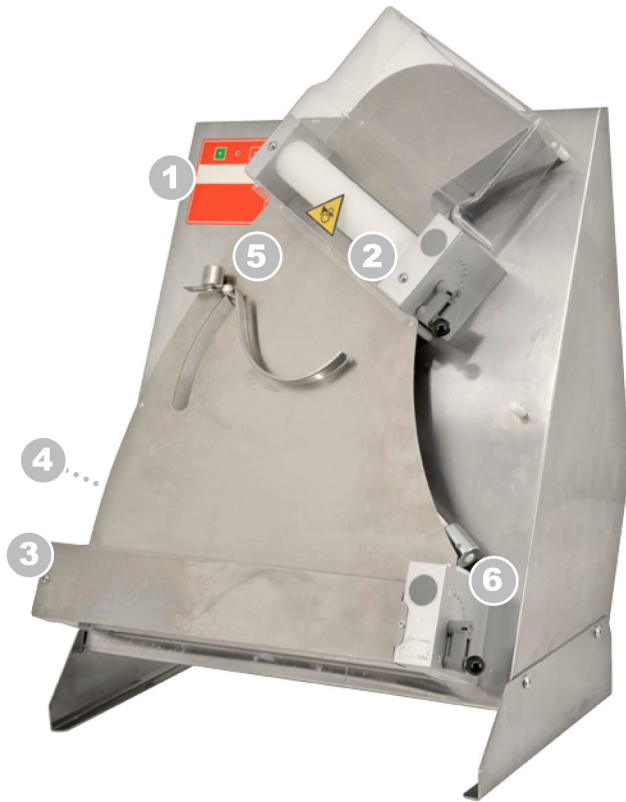
LIMITED
WARRANTY
PARTS AND LABOR



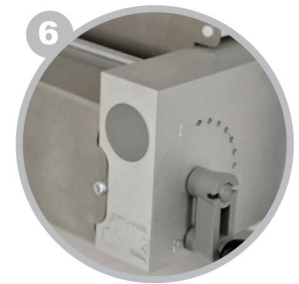
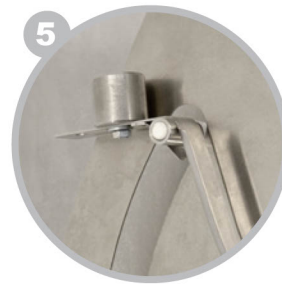
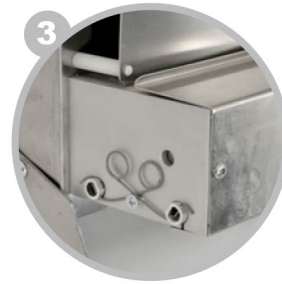
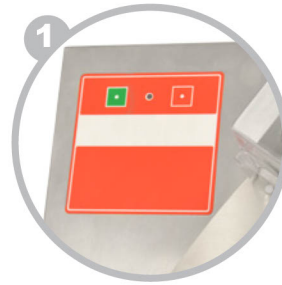
FOOD EQUIPMENT

PIZZA MOULDER WITH 15.75" MAX ROLLER WIDTH

NELLA

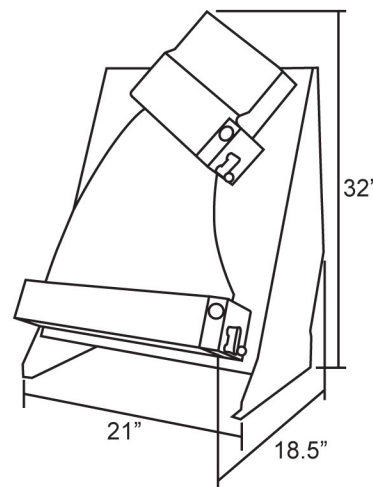


- Featuring a metallic body with 2 sets of rollers
- Quicker and more efficient dough rolling experience



TECHNICAL SPECIFICATION

ITEM NUMBER	13177
MODEL	BE-IT-0406
POWER	0.5 HP / 0.37 kW
DOUGH WEIGHT	7.5 oz.-24.5 oz. / 212.6 - 694.5 grams
PIZZA DIAMETER	11" - 15.75" / 279 - 400 mm
ELECTRICAL	110 V/60Hz/1Ph
DIMENSIONS (DWH)	18.5" x 21" x 32" / 470 x 533 x 812.8 mm
PACKAGING DIMENSIONS	31" x 24" x 23" / 787 x 609.6 x 584 mm
PACKAGING WEIGHT	79 lbs/ 35.8 kg



CE



MADE IN ITALY

NEMA
5 - 15
125 VAC / 15 AMP

NELLA

Telephone: 416-740-2424
 Email: help@nellaonline.com
 Website: www.nellaonline.com