

NELLA

FOOD EQUIPMENT

SERVING THE INDUSTRY SINCE 1952

ELITE TOP-DOWN PRESS PATTY MAKER WITH 5.2" DIAMETER

Item: 11428

► **CREATE FRESHLY-PRESSED PATTIES FAST AND EASY!**

Ideal for fast food establishments, restaurants, or any fast-paced kitchen, Omcan's Elite top-down press patty maker will help you create perfect, uniform patties whether they are beef, chicken, turkey, or veggie. Anodized aluminium construction and food contact areas are made of stainless steel. Easy to disassemble and quick to clean.



WARRANTY



Authorized Dealer

PRODUCT FEATURES

- Hamburger press is of anodized aluminium construction and food contact areas are made of stainless steel
- Upward push of the hamburger to make the extraction easier
- Simple to operate and easy to clean
- Easy to disassemble
- Cellophane papers available separately



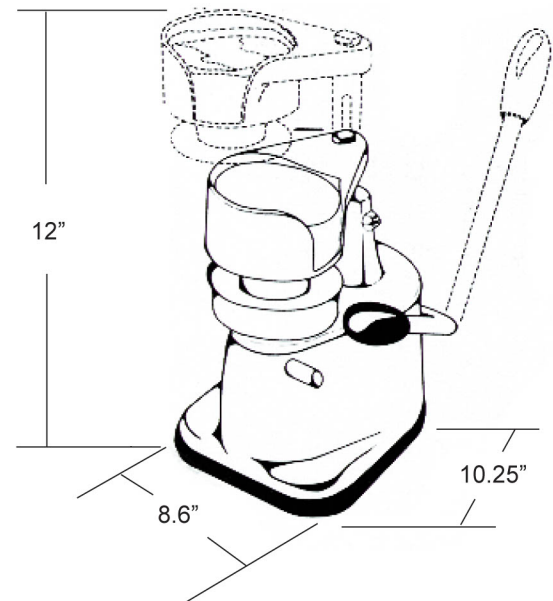
► **Hamburger Press Paper for 11428**
(Item sold separately)

11429 | Hamburger Press Paper
Approximately 1260 sheets for 11428

TECHNICAL SPECIFICATIONS

ITEM NUMBER	11428
TYPE	5.2" (132.08 mm) Diameter
CAPACITY	10 oz max
WEIGHT	10 lbs. / 4.55 kg.
PACKAGING WEIGHT	11 lbs. / 5.00 kg.
DIMENSIONS (DWH)	10.25" x 8.6" x 11" 260.35 x 218.44 x 279.4 mm
PACKAGING DIMENSIONS	11" x 10" x 13" 279.4 x 254 x 330.2 mm

TECHNICAL DRAWING AND DIMENSIONS



WARRANTY

