



# FOOD PROCESSOR

SERVING THE INDUSTRY SINCE 1952

## EUROPEAN HEAVY-DUTY FOOD PROCESSOR WITH 6" OPENING

Item: 10927 / Model: FP-IT-0300

This vegetable cutter is easy to use for all types of vegetables, cheese, and many other products. The hinged lid allows for easy cleaning and changing of disks. Wide selections of disks are available. Made of aluminum alloy and s/s construction.

### Discs sold separately

Aluminium structure, made of AISI 420. Various kinds of discs available for different types of processing. (More info on page 3)



Shredding disc



Julienne disc



Slicing disc



Baton disc



Grating disc



**WARRANTY**  
PARTS AND LABOR



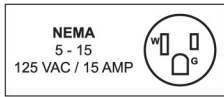
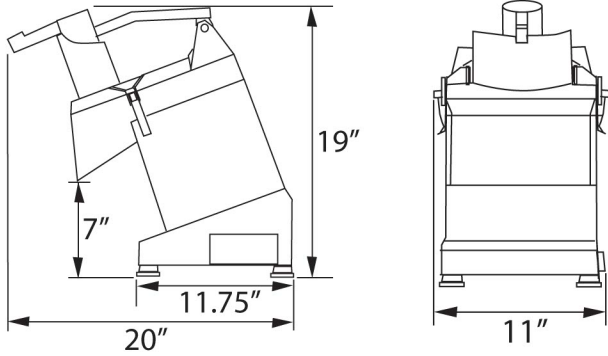
Authorized Dealer

# FOOD PROCESSOR

## EUROPEAN HEAVY-DUTY FOOD PROCESSOR WITH 6" OPENING

# NELLA

### TECHNICAL SPECIFICATION & DIMENSIONS



**WARRANTY**  
PARTS AND LABOR

### TECHNICAL SPECIFICATIONS

ITEM NUMBER	10927
MODEL	FP-IT-0300
POWER	0.7 HP / 0.52 kW
DISC SPEED	300 RPM
MOUTH OPENING	3 1/16" x 6 1/4" / 77.7 x 159 mm
ELECTRICAL	110V/60Hz/1
BIN	1/3-size, 7Qt/ 6.5L, Clear Dimensions: 12.75" x 7" x 8" / 324 x 178 x 203 mm
NET WEIGHT	54 lbs. / 24.5 kg.
GROSS WEIGHT	56 lbs. / 25 kg.
NET DIMENSIONS (DWH)	20" x 11" x 19" / 508 x 279 x 482.6 mm
GROSS DIMENSIONS	29" x 14" x 20" / 736.6 x 355.6 x 508 mm

### DETAIL IMAGES



# NELLA

Telephone: 416-740-2424  
Email: [help@nellaonline.com](mailto:help@nellaonline.com)  
Website: [www.nellaonline.com](http://www.nellaonline.com)

**VEGETABLE CUTTER DISCS**

Aluminium structure, made of AISI 420. Various kinds of discs available for different types of processing.



Shredding disc



Julienne disc



Slicing disc



Grating disc



Baton disc

**Shredding Discs**

ITEM	DESCRIPTION
10088	Shredding discs: 1 mm
10089	Shredding discs: 2 mm
10090	Shredding discs: 3 mm
10091	Shredding discs: 4 mm
10093	Shredding discs: 7 mm
10094	Shredding discs: 9 mm (mozzarella)

**Slicing Disc**

ITEM	DESCRIPTION
10072	Slicing discs, straight: 1 mm
10073	Slicing discs, straight: 2 mm
10074	Slicing discs, straight: 3 mm
10075	Slicing discs, straight: 4 mm
10076	Slicing disc, curved wave: 5 mm
16448	Slicing discs, straight: 8 mm
10070	Slicing discs, straight: 10 mm
10071	Slicing discs, straight: 14 mm

**Julienne Strips Discs**

ITEM	DESCRIPTION
10082	Julienne Strips disc: 4 mm
10084	Julienne Strips disc: 6 mm
10086	Julienne Strips disc: 8 mm
10081	Julienne Strips disc: 10 mm

**Grating Disc**

ITEM	DESCRIPTION
10095	Grating discs

**Cubing/Dicing and Baton Discs**

ITEM	DESCRIPTION
10123	Cubing/Dicing: 8 mm
10120	Cubing/Dicing: 10 mm
10121	Cubing/Dicing: 14 mm
10122	Cubing/Dicing: 20 mm
10118	Baton disc: 6 mm
10119	Baton disc: 8 mm
10117	Baton disc: 10 mm