



**FOOD EQUIPMENT**

*SERVING THE INDUSTRY SINCE 1952*

## 15-LITER BOWL CUTTER

Item: 10875 / 19256

Model: FP-ES-0015 / FP-ES-0015-T

**Bowl cutting produces as much as 15% higher finished product yield. Bowl cutting also allows the use of up to 30% more water and results in less shrinkage.**



Authorized Dealer

### Standard

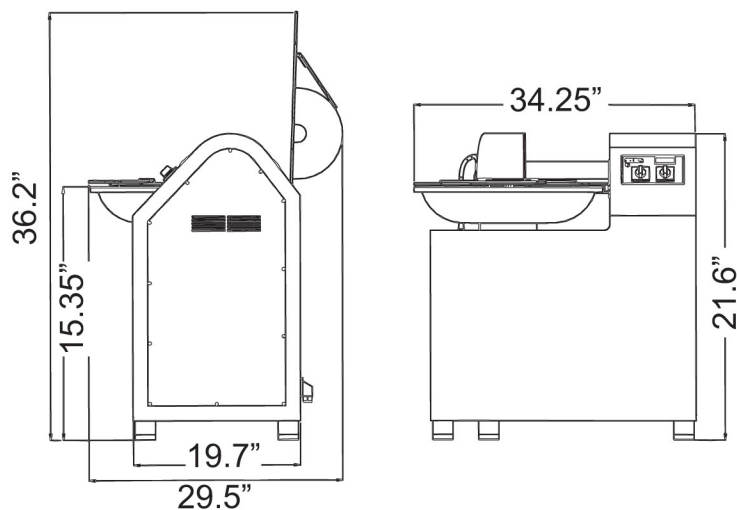
- Anti-noise lid
- 3-knife head
- Digital thermometer
- 2 speed control
- All stainless steel

### Optional

- 6-knife head
- Single phase motor (1 speed-2.5 HP)
- Variable speed control (For item 19256 Only)

### TECHNICAL DRAWING & DIMENSIONS

Item: 10875 / 19256



Front lid



Standard



Optional removable 6-knife head

### TECHNICAL SPECIFICATION

ITEM NUMBER	10875	19256
MODEL	FP-ES-0015	FP-ES-0015-T
BOWL VOLUME	15 L / 4 gal	
MIXTURE BOWL CAPACITY (APPROX.)	12 kg./26.4 lbs.	
TOTAL HORSEPOWER	2.1/2.7 HP	
KNIFE SPEED	1700/3400 RPM	
BOWL SPEED	22/45 RPM	
ELECTRICAL	220V/60/1	220V/60/3
WEIGHT	363.7 lbs./ 165 kg	
PACKAGING WEIGHT	442 lbs./ 200.48 kg	
DIMENSIONS (DWH)	29.5" x 34.25" x 21.6" / 749 x 870 x 548.6 mm	
PACKAGING DIMENSIONS	40" x 31" x 30" / 1016 x 787 x 762 mm	