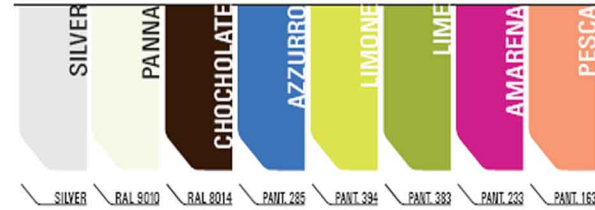


STANDARD FEATURES

- Electronic thermostatic TXV for high humidity
- Double pane lift-up front glass
- Double pane sides
- Lift-up deck and evaporator to allow the perfect cleaning of the tank
- Diffused LED lighting 3000°K
- Plexiglass sliding doors
- Internal condensing unit
- Cases ship standard unfinished

OPTIONS

- Narrow depth: 36 1/16"D
- Bumper addition for cart/trolley
- Rolling curtain
- Paper holder
- Pull-out faucet inside the tank
- Cutting board with knives pocket
- Scale holder
- External condensing unit
- Intermediate shelf
- RAL color/laminate front and side panels
- Casters



| LA CROSSE RED MEAT | | | | | |
|--------------------------------|---------------|------------------------------|-------------------------------|------------------------------|------------------------------|
| TECHNICAL FEATURES | | MODELS | | | |
| | | LA CROSSE RM1150 | LA CROSSE RM1650 | LA CROSSE RM2150 | LA CROSSE RMA90 |
| External Dimensions (L-D-H) | Inches | *46 7/8" - 45 3/8" - 45 1/4" | *66 9/16" - 45 3/8" - 45 1/4" | *86 1/4" - 45 3/8" - 45 1/4" | *63 5/8" - 45 3/8" - 45 1/4" |
| | Inches-MM | *1190 - 1152 - 1150 | *1690 - 1152 - 1150 | *2190 - 1152 - 1150 | *1616 - 1152 - 1150 |
| Crated Dimensions (L-D-H) | Inches | 53 7/8" - 53 7/8" - 55 1/8" | 73 5/8" - 53 7/8" - 55 1/8" | 93 1/4" - 53 7/8" - 55 1/8" | 70" - 53 7/8" - 55 1/8" |
| | Inches-MM | 1370 - 1370 - 1400 | 1870 - 1370 - 1400 | 2368 - 1370 - 1400 | 1778 - 1370 - 1400 |
| Refrigeration | Type | Ventilated | Ventilated | Ventilated | Ventilated |
| Refrigeration Display Area | Type | Deck | Deck | Deck | Deck |
| Operating Temperature | °C / °F | 2°C / 35°F | 2°C / 35°F | 2°C / 35°F | 2°C / 35°F |
| Compressor | Nr./Type | 1 / Hermetic | 1 / Hermetic | 1 / Hermetic | 1 / Hermetic |
| BTU's @ +14°F Evap Temperature | BTU's | 2400 BTU'S | 3330 BTU'S | 3625 BTU'S | 5200 BTU'S |
| Electric Supply | (V/Ph/Hz) | 120/1/60 (USA) | 120/1/60 (USA) | 120/1/60 (USA) | 120/1/60 (USA) |
| Power Consumption | (W/A) | 420W / 2.5A | 650W / 4A | 850W / 4.5A | 1050W / 6A |
| Defrost | Mode/Type | Electric | Electric | Electric | Electric |
| Climatic Class | N°/°C/°F/H.R. | 3/25/77/60% | 3/25/77/60% | 3/25/77/60% | 3/25/77/60% |
| Refrigerant Gas | Type | R404A | R404A | R404A | R404A |
| Net Weights | Kg/Lb | 200Kgs / 440Lbs | 290Kgs / 639Lbs | 330Kgs / 727Lbs | 340Kgs / 749Lbs |
| Crated Weights | Kg/Lb | 305Kgs / 672Lbs | 435Kgs / 959Lbs | 510Kgs / 1124Lbs | 535Kgs / 1179Lbs |

* DIMENSIONS ARE WITHOUT SIDE PANELS

* Manufacturer reserves the right to change specifications without notice. Not responsible for error and omissions.

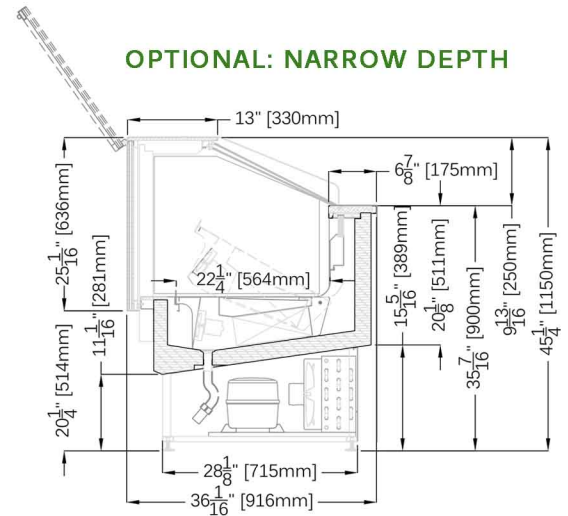
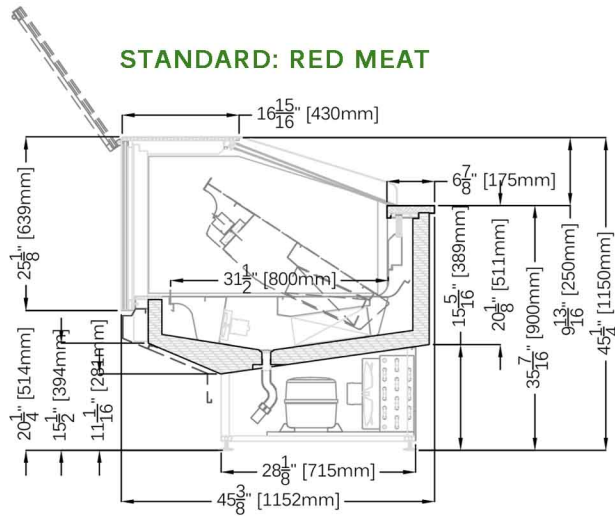


361-367 Beach Road, Burlingame, CA 94010
 Tel: 855.885.2400 | 650.342.2400 | Fax: 650.342.7400
 sales@oscartek.com | www.oscartek.com



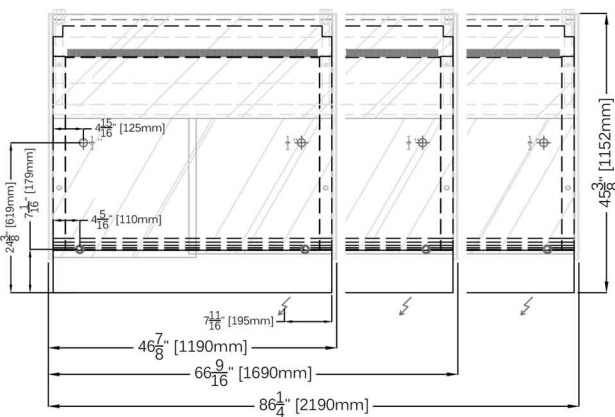
LA CROSSE

Red Meat Showcase

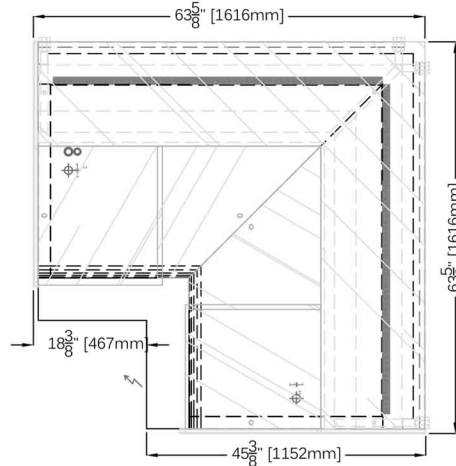


PLAN VIEWS: LA CROSSE RM1150, LA CROSSE RM1650, LA CROSSE RM2150, LA CROSSE RMA90

LA CROSSE LINEAR MODELS

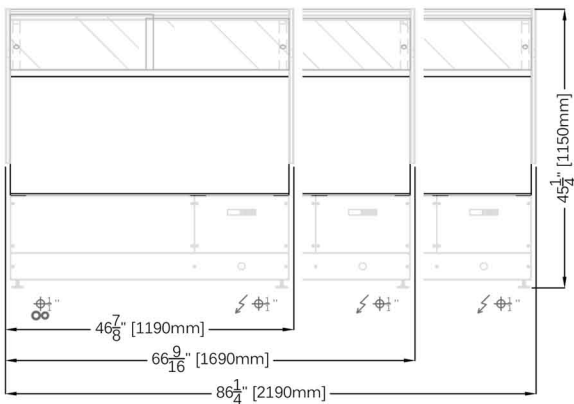


LA CROSSE RMA90

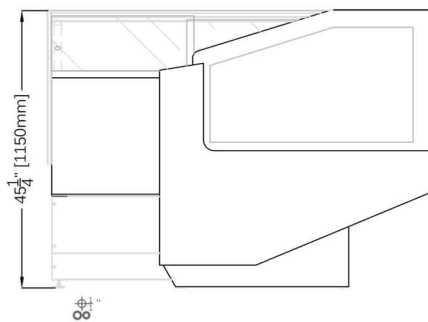


REAR ELEVATIONS (OPERATOR SIDE): LA CROSSE RM1150, LA CROSSE RM1650, LA CROSSE RM2150, LA CROSSE RMA90

LA CROSSE LINEAR MODELS



LA CROSSE RMA90



| ELECTRICAL LEGEND | |
|-------------------|--------------------|
| | REFRIGERATED LINES |
| | DRAIN |
| | POWER |

* Manufacturer reserves the right to change specifications without notice. Not responsible for error and omissions.



361-367 Beach Road, Burlingame, CA 94010
 Tel: 855.885.2400 | 650.342.2400 | Fax: 650.342.7400
 sales@oscartek.com | www.oscartek.com

