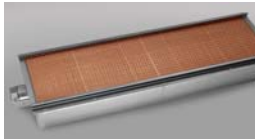


Model Numbers  
ISB-24      ISB-36



Infa-red burner provides instant, even heating.



Raises and lowers with four locking positions.



Durable cast aluminum control knobs with a heat protection, vylox grip.



ISB-36 shown

**INFRA-RED BURNERS** - 40,000 BTU (12 KW) ISB-36 model and 25,000 BTU (7 KW) ISB-24 model.

- Protective screen over infra-red burner for splatter protection.
- Individual left / right gas controls "ISB-36" model.
- Adjustable gas valve.
- Continuous pilot for instant ignition.

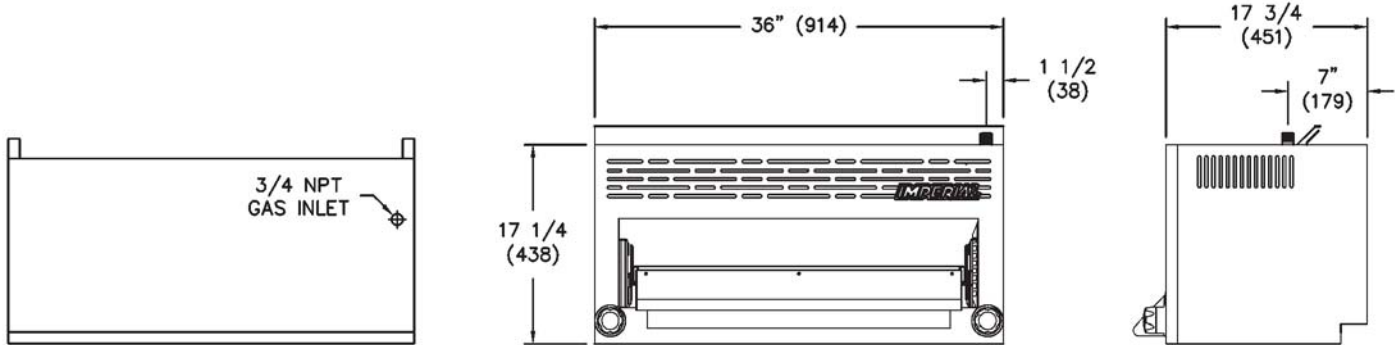
**BROILER GRID** - Spring balanced for easy maneuvering.

- Raises and lowers with locking in 4 positions.
- Rack assembly rolls out 10" (254 mm) for easy loading and unloading.
- Large capacity for peak hour high production.
- Removes easily for cleaning.

**EXTERIOR FEATURES** - Stainless steel front, sides, top and bottom.

- Mounts over IR and IHR ranges, with mounting accessory.
- Can be wall or counter mounted.
- Welded and polished stainless steel seams.
- Control knobs are durable cast aluminum with a vylox heat protection grip.
- Available in 24" and 36" (610 and 914 mm) widths.
- One year parts and labor warranty.





ISB-36

**RANGE MATCH SALAMANDER BROILERS**

| MODEL  | WIDTH  |       | TOTAL OUTPUT |         | SHIP WEIGHT |     |
|--------|--------|-------|--------------|---------|-------------|-----|
|        | INCHES | (MM)  | (KW)         | (KW)    | (KG)        | LBS |
| ISB-24 | 24"    | (610) | 25,000       | (7 KW)  | (70)        | 155 |
| ISB-36 | 36"    | (914) | 40,000       | (12 KW) | (95)        | 210 |

Measurements in ( ) are metric equivalents.

| MODEL  | DIMENSIONS  | CRATED DIMENSIONS                             |
|--------|---|---|
| ISB-24 | 24" w x 17-3/4" d x 17-1/4" h<br>(610 x 451 x 438 mm) | 26" w x 20" d x 21" h<br>(660 x 508 x 533 mm) |
| ISB-36 | 36" w x 17-3/4" d x 17-1/4" h<br>(914 x 451 x 438 mm) | 38" w x 20" d x 21" h<br>(965 x 508 x 533 mm) |

| MANIFOLD PRESSURE |             | MANIFOLD SIZE |
|-------------------|-------------|---------------|
| NATURAL GAS       | PROPANE GAS |               |
| 5.0" W.C.         | 10.0" W.C.  | 3/4"          |

Specify elevation, if over 2,000 ft.

**CLEARANCE REQUIREMENTS**  
 For use only on non-combustible surfaces. Legs are required for counter top installation. Provide 0" clearance from non-combustible surfaces and 4" (102 mm) from combustible surfaces.

- OPTIONS AND ACCESSORIES**
- Wall mounting kits
  - 4" (102 mm) leg kit for counter mounting
  - Reinforcement channels for range mount
  - One point 3/4" (19 mm) gas connection from ISB to IR or IHR range
  - Gas shut off valve, 3/4" N.P.T.
  - Quick disconnect and flexible gas hose, 3/4" N.P.T.

