

Vertical grill mod **GV5**

Dimension:

45,8" (w) x 60,7" (h) x 49,4" (p)

Number of grates: 5

Capacity/chickens: 15

Weight: 507 lb

Rated power: 15,6 kw

Rated Voltage	Rated current		
208V/3N~	44A (L1)	44A (L2)	44A (L3)



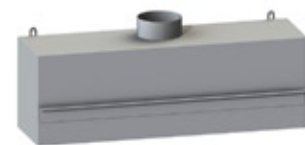
GRE.V1.E40
Scraper



Grid	interior measurement
GRE.V1.J40 Grid XS	0,31" / 8mm
GRE.V1.J10 Grid S	0,75" / 19mm
GRE.V1.J30 Grid XL	1,22" / 31mm



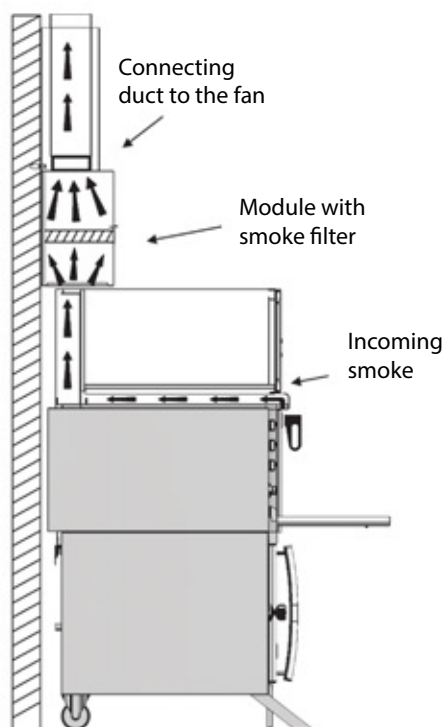
GRE.CA.A50
Gutter



GRE.V5.P10
Module with filter



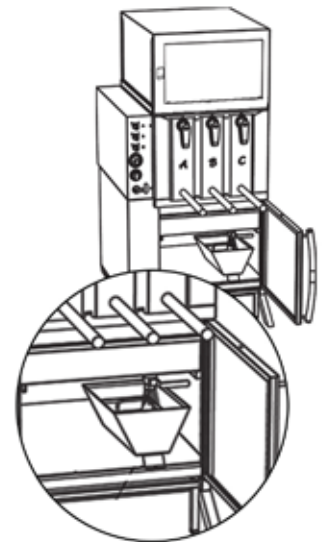
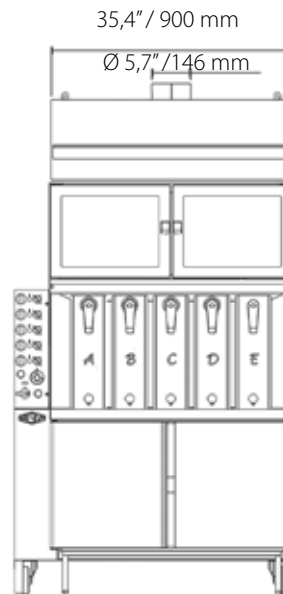
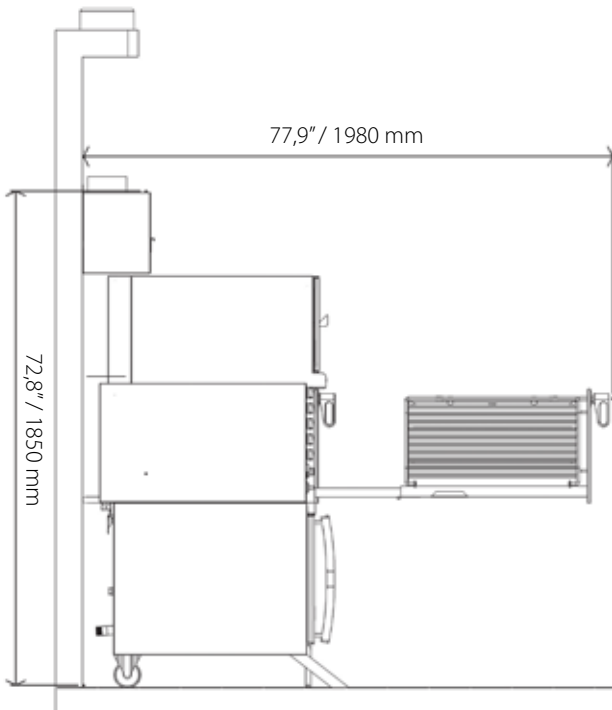
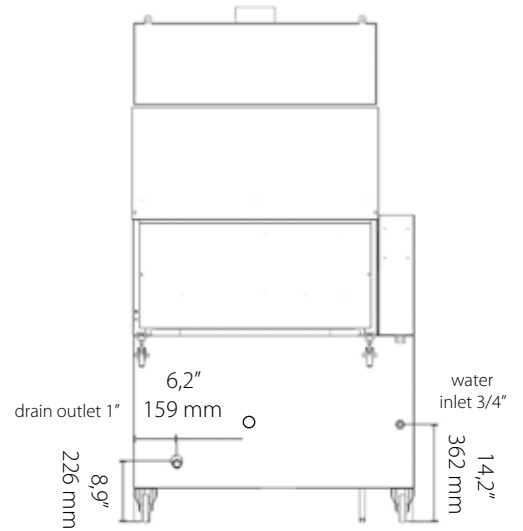
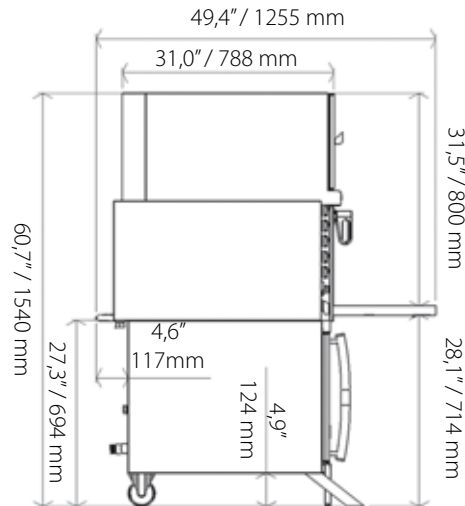
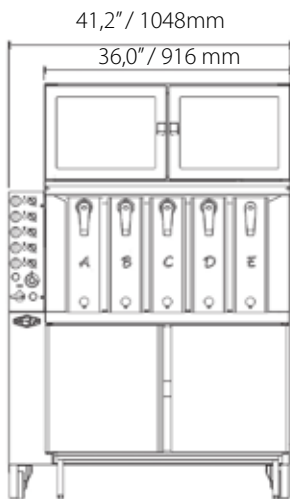
GRE.V2.P30
Conduct



Note: with connection device to the water inlet and the outlet to the grease box



Vertical grill mod **GV5**



A composite drainage system by a water collection container of the receiver drawer to be connected to the grease box