

REVISION HISTORY

REV	DESCRIPTION	DATE	APPROVED
-	Engineering Release	01/01/2021	Todd Stone

Burner Control Knob (1 of 5)

Pilot Control Knob

Detail A
SCALE 1 : 3

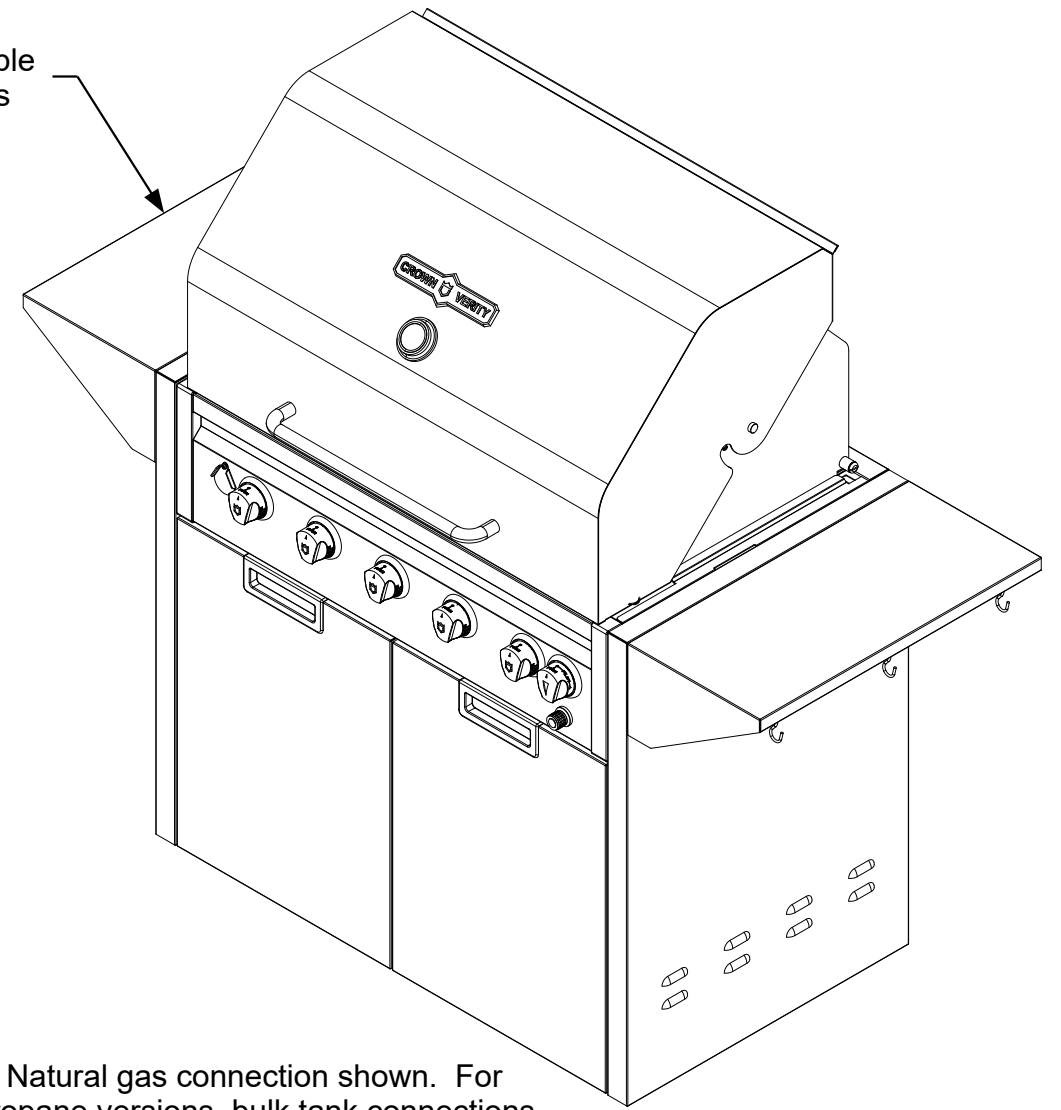
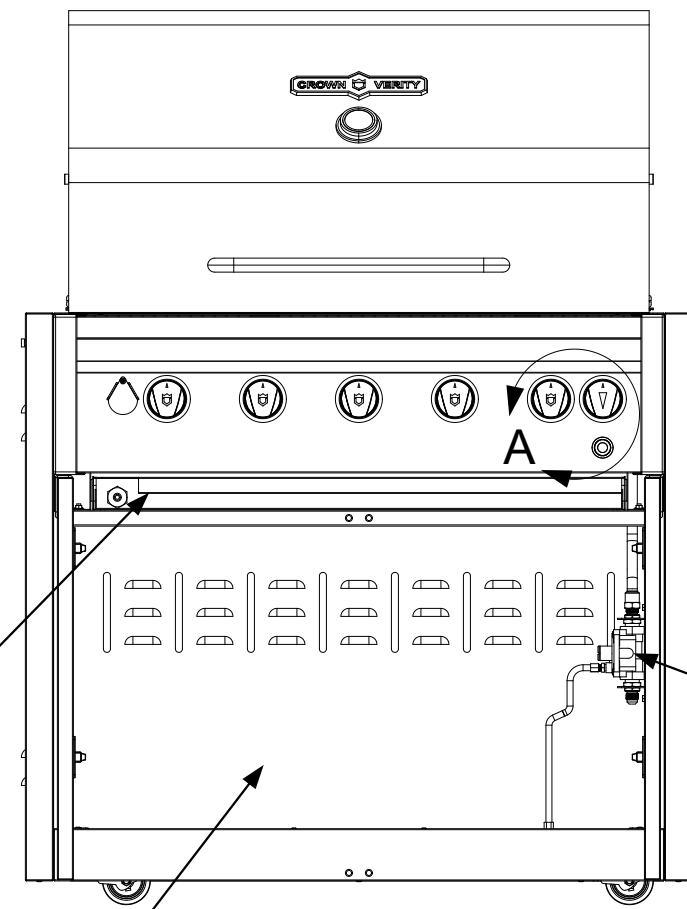
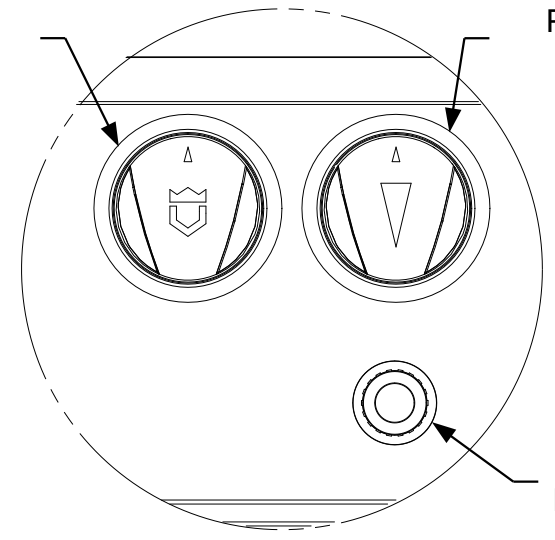
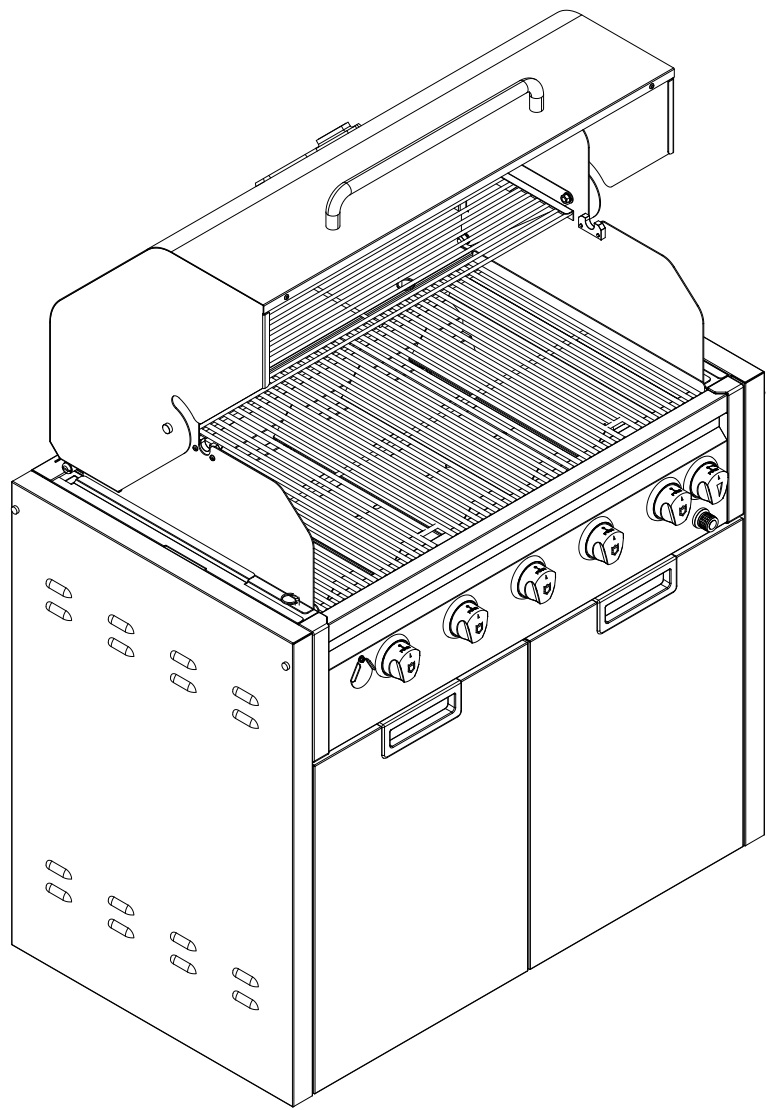
Two Removable End Shelves

Electronic Ignition Switch

Removable Grease Tray

Storage area below the grill.

Natural gas connection shown. For propane versions, bulk tank connections would also occur here. For propane versions not connected to a bulk tank, a pull-out propane tank drawer is provided along with a hose and regulator assembly to attach to a 20 lbs. tank (not supplied).



CROWN VERITY

37 Adams Blvd., Brantford, Ontario, N3S 7V8
P: (519) 751-1800 www.crownverity.com

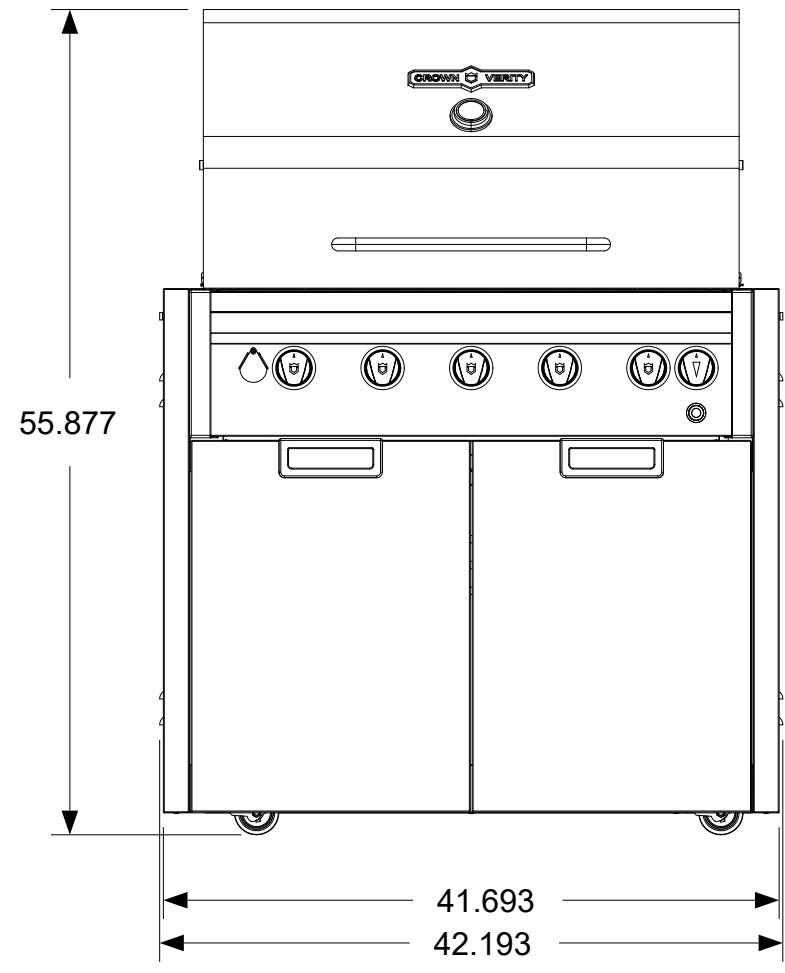
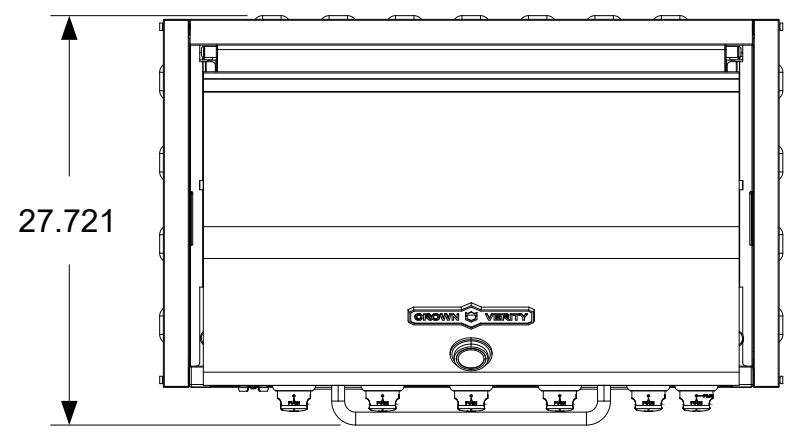
Gauge	N/A	Dimensions are in inches Linear Tolerance: +/- .015 Bend Tolerance: +/- .020 Angular Tolerance: +/- 0.5 Radial Tolerance: +/- .005
Weight (Kg)	N/A	
K Factor	N/A	
Finish	#4	
Material	SS 304	

DRAWN BY: Todd Stone

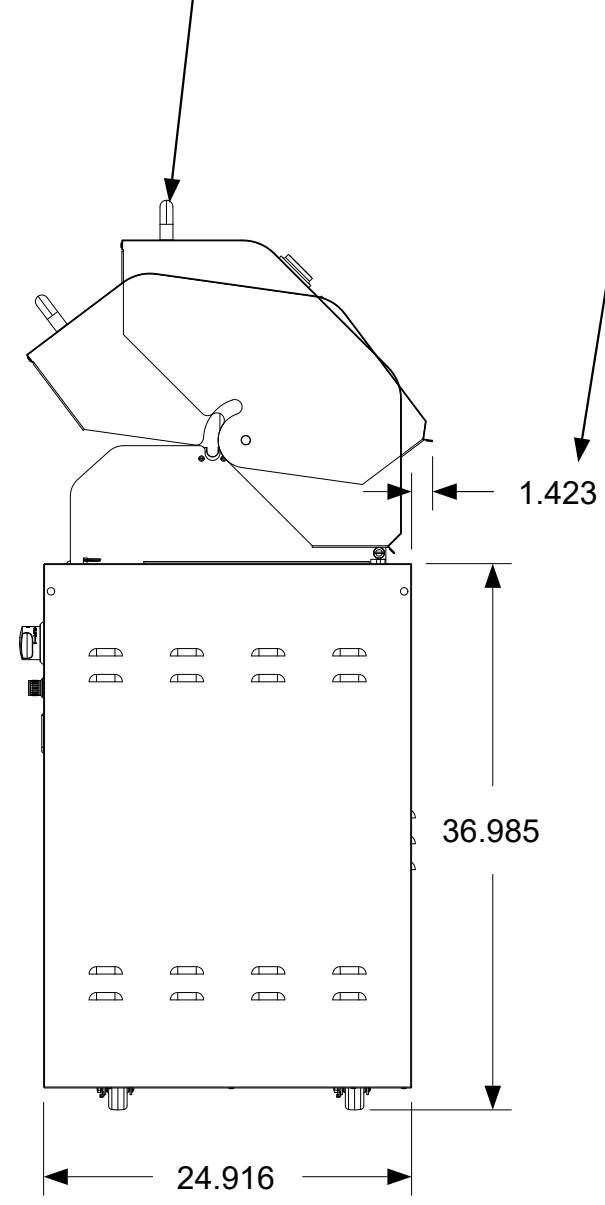
TITLE			
Infinite Estate 36 Inch Grill			
SIZE	Customer	DWG NO	REV
B	Crown Verity	IE36(NG/LP)	-
SCALE	1:12	01/01/2021	SHEET 1 of 3

REVISION HISTORY

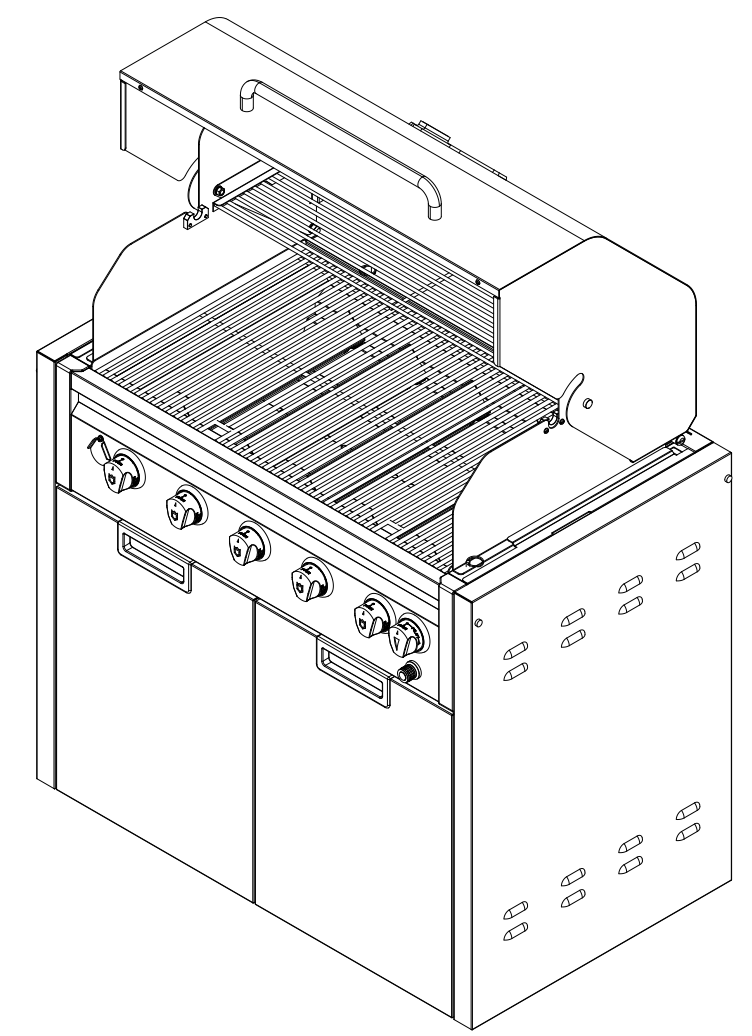
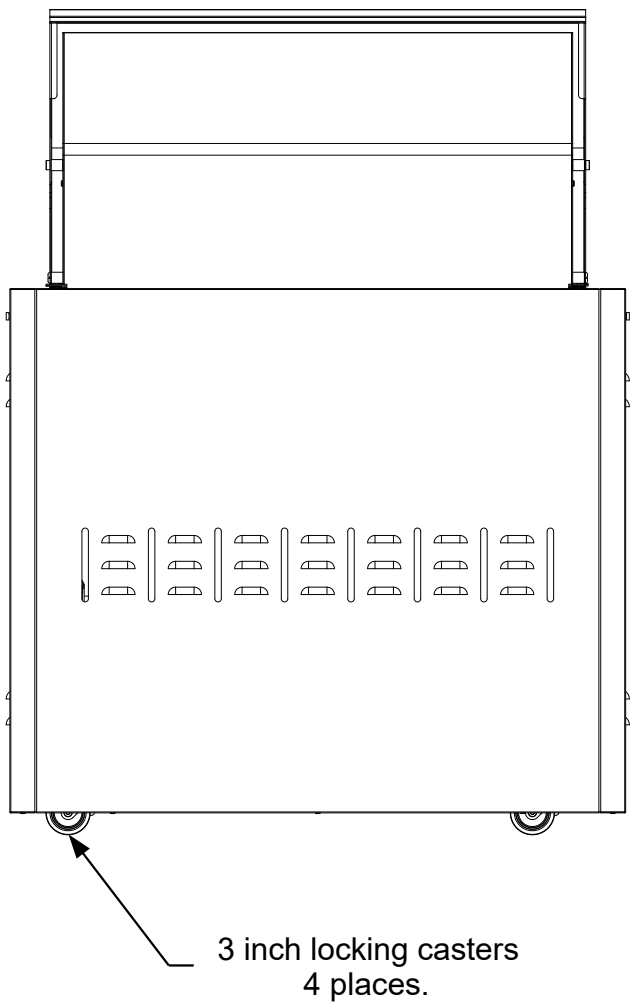
REV	DESCRIPTION	DATE	APPROVED
-	Engineering Release	01/01/2021	Todd Stone



Dome position fully open



This dimension is the furthest point the dome protrudes back as it opens. It is 1.423 inches further back than the rear of the cabinet.



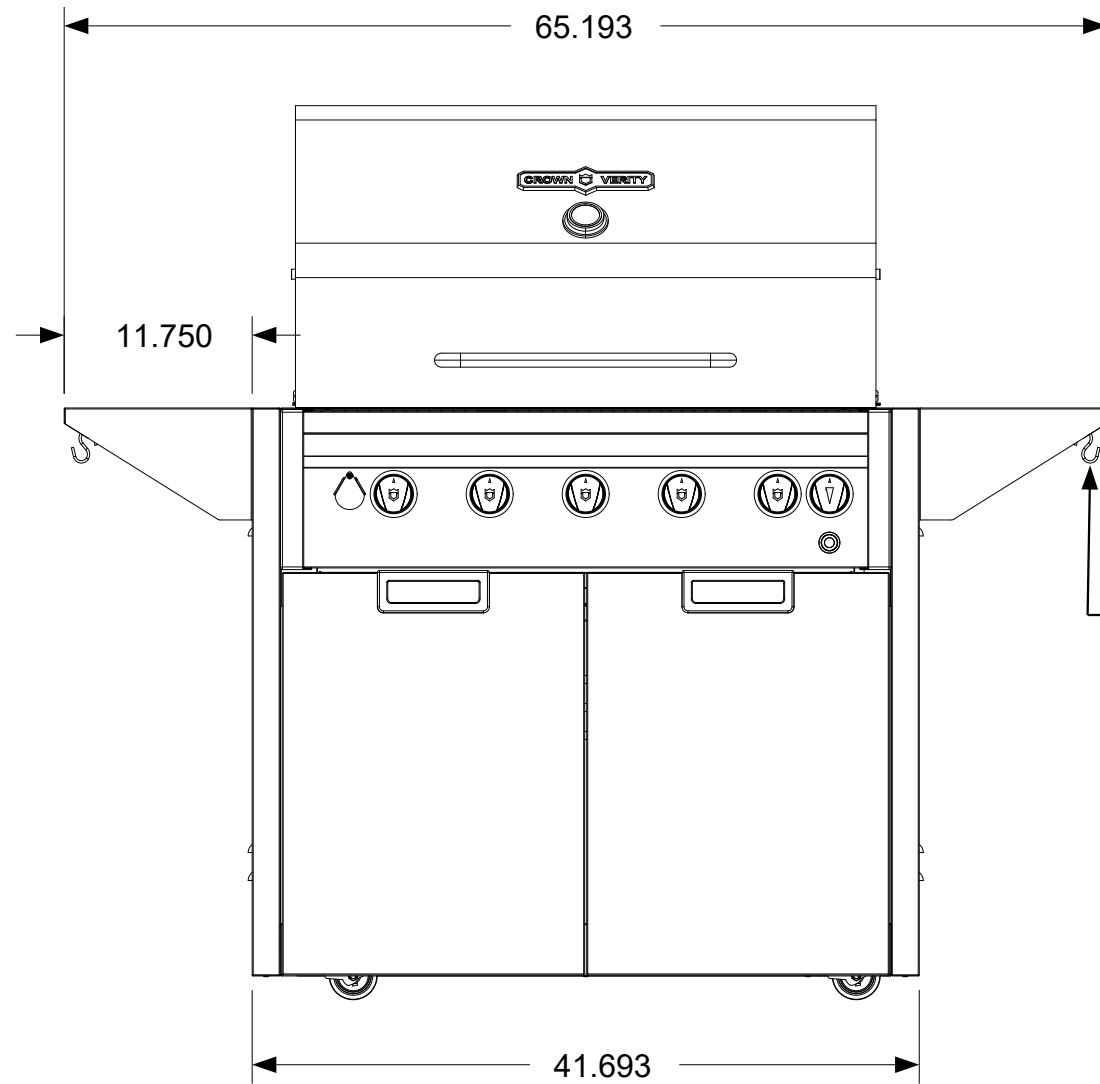
CROWN VERITY

37 Adams Blvd., Brantford, Ontario, N3S 7V8
P: (519) 751-1800 www.crownverity.com

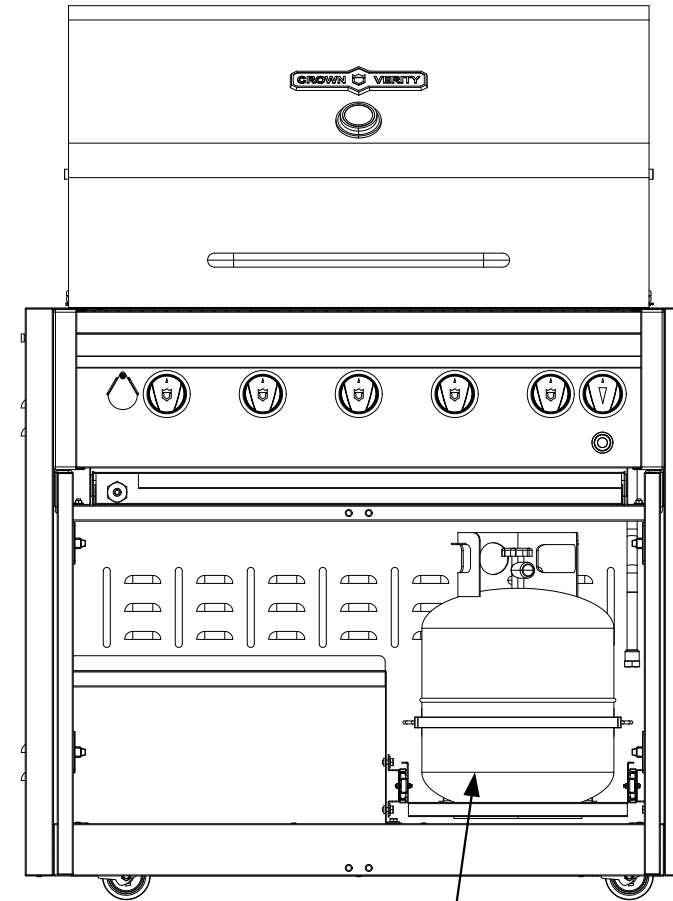
Gauge	N/A	Dimensions are in inches Linear Tolerance: +/- .015 Bend Tolerance: +/- .020 Angular Tolerance: +/- 0.5 Radial Tolerance: +/- .005
Weight (Kg)	N/A	
K Factor	N/A	
Finish	#4	
Material	SS 304	
DRAWN BY: Todd Stone		

TITLE			
Infinite Estate 36 Inch Grill			
SIZE	Customer	DWG NO	REV
B	Crown Verity	IE36(NG/LP)	-
SCALE	DATE	SHEET	
1:13	01/01/2021	2 of 3	

REVISION HISTORY			
REV	DESCRIPTION	DATE	APPROVED
-	Engineering Release	01/01/2021	Todd Stone



Removable "S" hook for hanging barbecue utensils, etc.



For LP applications that are not connected to a bulk supply, a pull-out propane drawer is factory installed along with a hose and regulator assembly for a 20 lbs. propane tank (not supplied). A shelf is also installed to prevent the storage of a second propane tank per the residential standard for outdoor cooking appliances ANSI Z21.58-2018 and CSA 1.6-2018

CROWN VERITY

37 Adams Blvd., Brantford, Ontario, N3S 7V8
P: (519) 751-1800 www.crownverity.com

Gauge	N/A	Dimensions are in inches Linear Tolerance: +/- .015 Bend Tolerance: +/- .020 Angular Tolerance: +/- 0.5 Radial Tolerance: +/- .005
Weight (Kg)	N/A	
K Factor	N/A	
Finish	#4	
Material	SS 304	
DRAWN BY: Todd Stone		

TITLE **Infinite Estate 36 Inch Grill**

SIZE	Customer	DWG NO	REV
B	Crown Verity	IE36(NG/LP)	-
SCALE	1:12	01/01/2021	SHEET 3 of 3