

Champion®

The Dishwashing Machine Specialists

Project _____
Item No. _____
Quantity _____

64 SERIES RACK CONVEYOR

STANDARD FEATURES

- **NEW** Factory authorized startup
- **ENERGY STAR®** Qualified
- Dual-pawl cradle drive system
- One-piece cast stainless steel upper & lower spray arm assemblies
- Internal removable scrap basket and two-piece scrap screen
- Standard vertical opening accommodates 18" x 26" sheet pans
- Wide leakproof swing out insulated hinged doors on wash/rinse
- Anti-jam conveyor drive system
- Energy Sentinel (Idle pump shut-off)
- Convenient top-mounted controls
- Automatic tank fill
- Door safety switch
- Never leak, ball valve drain closure
- Enclosure panels (front and sides)
- Stainless steel heavy-gauge construction, including base and feet
- Electric tank heat
- Wash/rinse pump 2 Hp motors
- Stainless steel pump and impeller
- Two-point electrical connection
- Vent fan control switch
- Self-diagnostic controls
- Stainless steel rear manifolds

PREWASH MODELS ONLY

- External prewash scrap basket
- Prewash pump 1 Hp motor
- 22" Prewash
- 26" Prewash
- 36" Prewash

64 SERIES

64, 86 PW, 90 FFPW, 100 HDPW
High-Temperature
Rack Conveyor Dishwashing Machine



Model 64 Shown with
Vent Cowl and Damper Option

*Photo is for general visual
representation only. Please
refer to specifications for
the latest detailed product
information.*

SPECIFIER STATEMENT

Specified unit will be Champion model 64 Series high temperature rack conveyor dishwashing machine. Features top mounted control cabinet; upper and lower one-piece stainless steel spray arm assemblies, removable internal scrap baskets with two-piece scrap screen. Swing out front insulated access doors. Anti-jam conveyor drive system. 1 year parts and labor warranty.



Champion Industries, Inc.
2674 N. Service Road,
Jordan Station, Ontario, Canada L0R 1S0
Tel: 905/562-4195 Fax: 905/562-4618

Champion Industries, Inc.
3765 Champion Blvd., Winston-Salem, NC 27105
Tel: 336/661-1556 Fax: 336/661-1979
www.championindustries.com



64 SERIES

64, 86 PW, 90 FFPW, 100 HDPW

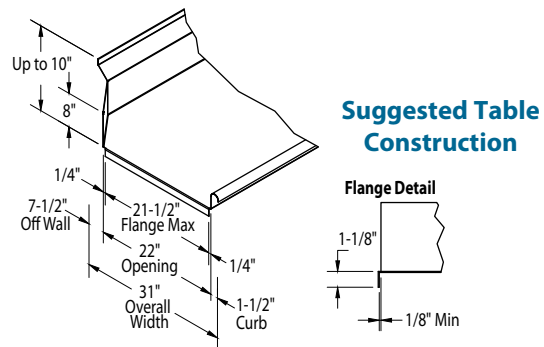
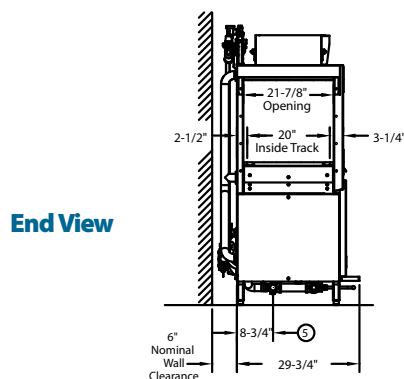
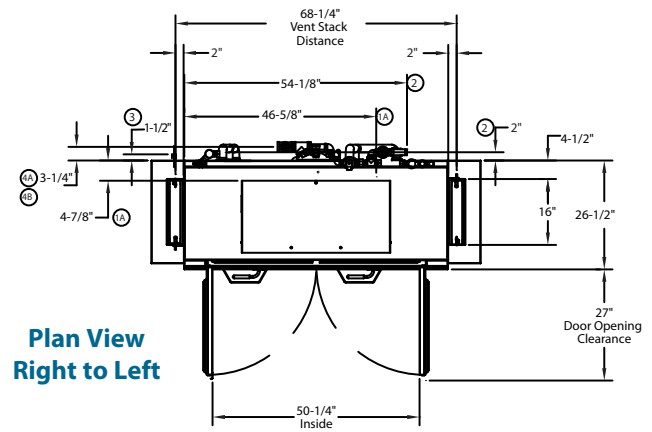
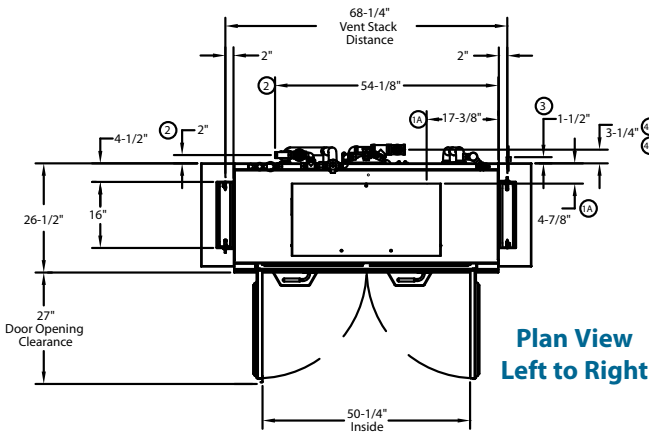
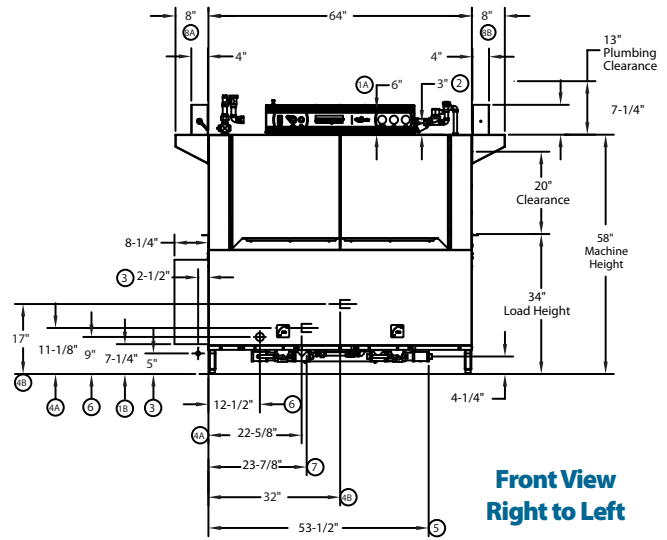
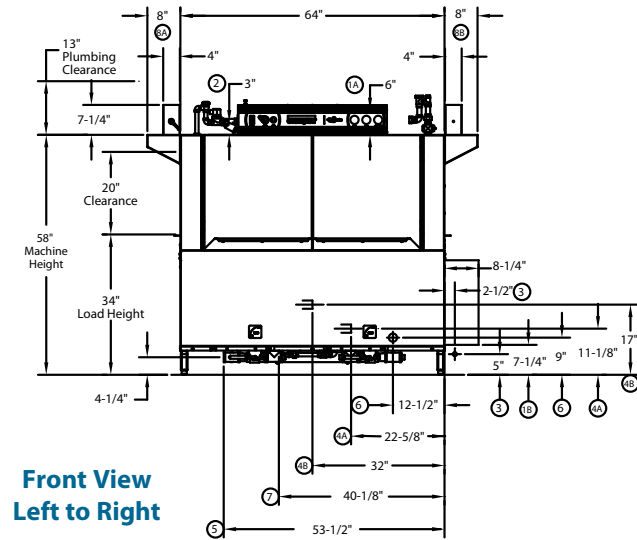
High-Temperature
Rack Conveyor Dishwashing Machine

Champion®

The Dishwashing Machine Specialists

MODEL 64 Shipping weight crated: **1200 lbs.**

Dimensions shown in inches [mm]



Due to an ongoing value analysis program at Champion, specifications contained in this catalog are subject to change without notice.

Champion Industries, Inc., 3765 Champion Blvd., Winston-Salem, NC 27105 • 336/661-1556 • Fax: 336/661-1979 • www.championindustries.com
2674 N. Service Road, Jordan Station, Ontario, Canada L0R 1S0 • 905/562-4195 • Fax: 905/562-4618

64 SERIES

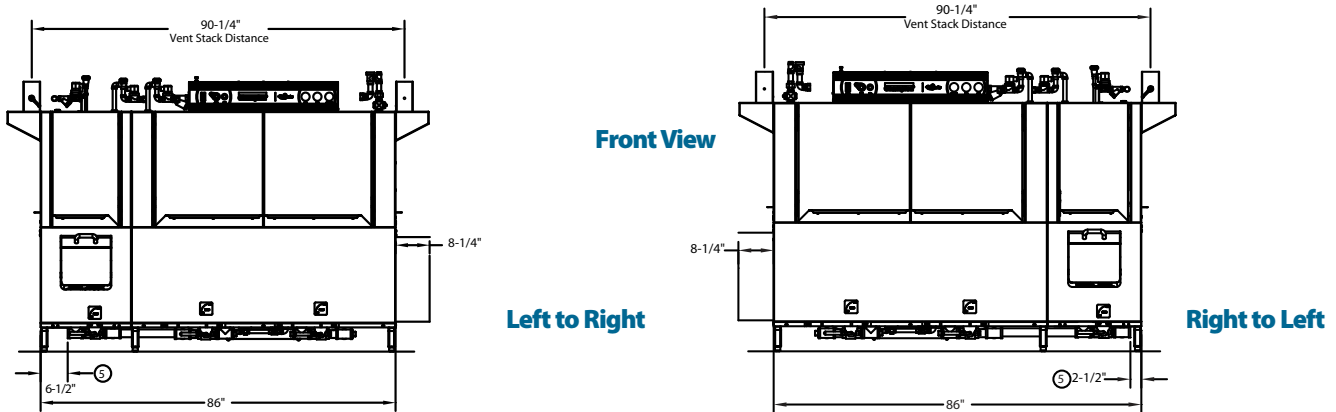
64, 86 PW, 90 FFPW, 100 HDPW
High-Temperature
Rack Conveyor Dishwashing Machine

Champion[®]
The Dishwashing Machine Specialists

Dimensions shown in inches [mm]

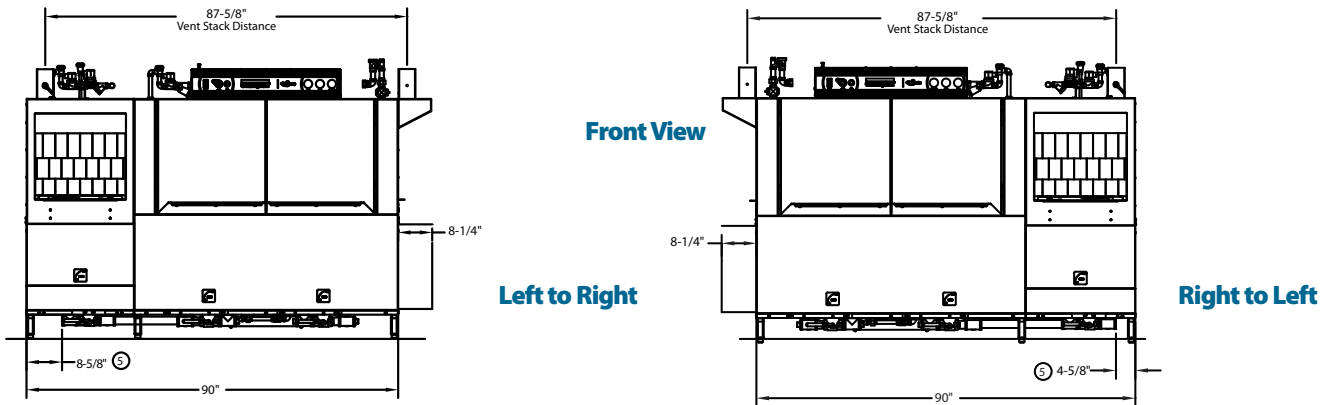
MODEL 86 PW WITH 22" PREWASH

Shipping weight crated: **1375 lbs.**



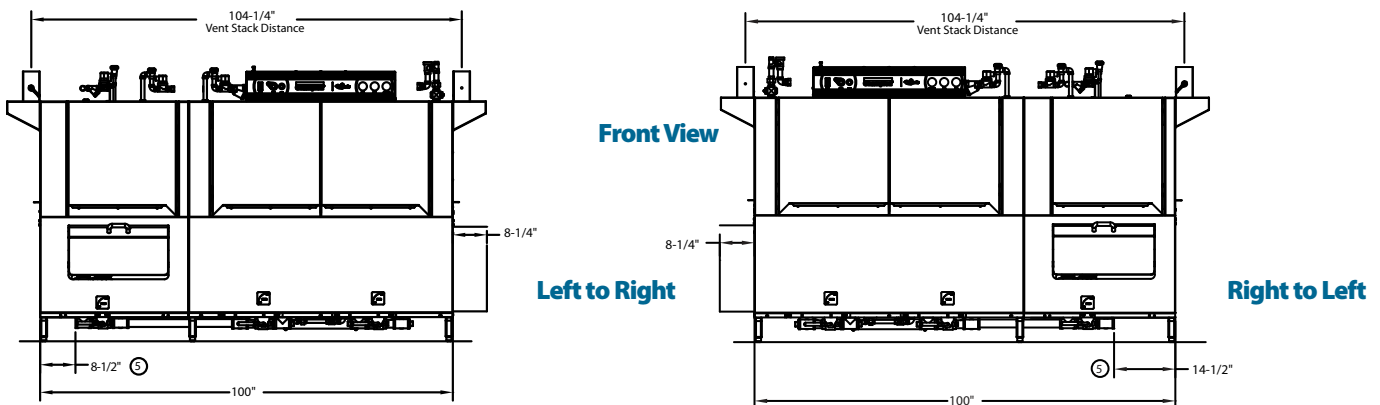
MODEL 90 FFPW WITH 26" FRONT FEED PREWASH

Shipping weight crated: **1400 lbs.**



MODEL 100 FFPW WITH 36" HEAVY DUTY PREWASH

Shipping weight crated: **1550 lbs.**



NOTE: For complete machine dimensions, plan view, end view, specifications and table construction see 64 drawing page.

64 SERIES

64, 86 PW, 90 FFPW, 100 HDPW
High-Temperature
Rack Conveyor Dishwashing Machine

Champion[®]

The Dishwashing Machine Specialists

Dimensions shown in inches

Utilities	
1 Electrical Connection A Machine electrical connection B Booster electrical connection	
2 Hot Water Main connection 3/4" NPT	
3 Cold Water Contact Factory	
4 Hot Water Tank A Heat inlet connection 1" NPT B Heat return connection 1" NPT	
5 Drain Connection 1 1/2" NPT	
6 Steam Inlet connection 1 1/4" NPT	
7 Condensate Connection 1" NPT return to boiler	
8 Vents A Stack connection - Load end 200 CFM @ 1/4" static pressure B Stack connection - Unload end 400 CFM @ 1/4" static pressure	

Warning: Plumbing and electrical connections should be made by qualified personnel who will observe all the applicable plumbing, sanitary, safety codes and the National Electrical Code.

Note: Water Hammer Arrestor (meeting ASSE-1010 standard or equivalent) to be supplied (by others) in common water supply line at service connection.

Plumbing Notes: Because of the variation in house-supplied steam and water pressures, steam and water pressure regulating valves (PRVs) may be needed. (Water PRV is standard on machines with booster.) The PRVs can either be purchased from Champion or obtained locally.

Venting Notes: Fabricated duct size: 3-7/8" x 15-7/8" (Outside dimensions)

64 ONLY
TABLE A - Machine Connection

Machine only			
Elec. Specs.	Rated Amps	Minimum Supply Ckt. Conductor Ampacity	Minimum Overcurrent Protective Device
208/60/3	90	110	110
240/60/3	80	100	100
480/60/3	40	50	50
575/60/3	31	40	40

64 ONLY
TABLE B - Booster Connection

40°F/22°C Rise – 15 kW Electric built-in booster (booster only)			
Elec. Specs.	Rated Amps	Minimum Supply Ckt. Conductor Ampacity	Minimum Overcurrent Protective Device
208/60/3	42	50	50
240/60/3	36	45	45
480/60/3	18	25	25
575/60/3	15	20	20

**70°F/39°C Rise – 24 kW
Electric built-in booster (booster only)**

Elec. Specs.	Rated Amps	Minimum Supply Ckt. Conductor Ampacity	Minimum Overcurrent Protective Device
208/60/3	67	80	80
240/60/3	58	70	70
480/60/3	29	35	35
575/60/3	24	30	30

Machine and steam built-in booster

Elec. Specs.	Rated Amps	Minimum Supply Ckt. Conductor Ampacity	Minimum Overcurrent Protective Device
208/60/3	15	20	20
240/60/3	14	20	20
480/60/3	7	15	15
575/60/3	6	15	15

86 PW, 90 FFPW, 100 HDPW
TABLE A - Machine Connection

Machine only			
Elec. Specs.	Rated Amps	Minimum Supply Ckt. Conductor Ampacity	Minimum Overcurrent Protective Device
208/60/3	95	125	125
240/60/3	83	100	100
480/60/3	41	50	50
575/60/3	32	40	40

86 PW, 90 FFPW, 100 HDPW
TABLE B - Booster Connection

40°F/22°C Rise – 15 kW Electric built-in booster (booster only)			
Elec. Specs.	Rated Amps	Minimum Supply Ckt. Conductor Ampacity	Minimum Overcurrent Protective Device
208/60/3	42	50	50
240/60/3	36	45	45
480/60/3	18	25	25
575/60/3	15	20	20

**70°F/39°C Rise – 24 kW
Electric built-in booster (booster only)**

Elec. Specs.	Rated Amps	Minimum Supply Ckt. Conductor Ampacity	Minimum Overcurrent Protective Device
208/60/3	67	80	80
240/60/3	58	70	70
480/60/3	29	35	35
575/60/3	24	30	30

Machine and steam built-in booster

Elec. Specs.	Rated Amps	Minimum Supply Ckt. Conductor Ampacity	Minimum Overcurrent Protective Device
208/60/3	20	25	25
240/60/3	17	25	25
480/60/3	9	15	15

Contact factory for single phase information.

Due to an ongoing value analysis program at Champion, specifications contained in this catalog are subject to change without notice.

Champion Industries, Inc., 3765 Champion Blvd., Winston-Salem, NC 27105 • 336/661-1556 • Fax: 336/661-1979 • www.championindustries.com
2674 N. Service Road, Jordan Station, Ontario, Canada L0R 1S0 • 905/562-4195 • Fax: 905/562-4618

Champion®

The Dishwashing Machine Specialists

64 SERIES

64, 86 PW, 90 FFPW, 100 HDPW

High-Temperature
Rack Conveyor Dishwashing Machine

SPECIFICATIONS

Capacity

Racks per hr. (NSF rated)	277
Wash tank (US gal.)	21
Conveyor speed (ft/min.)	7.7

Motor Horsepower

Drive	1/6
Wash	2
Rinse	2

Water Consumption

US Gal. per hr. (max. use)	124
US Gal. per rack	.45

Heating

Tank Heat, electric (kW)	25
Tank heat, steam (lbs./hr. required at 15 PSI flow pressure)	125
Electric booster (built-in) (kW supplied for 40°F rise)	15
Electric booster (built-in) (kW supplied for 70°F rise)	24
Steam booster (lbs./hr. required for 40°F rise)	75
Steam booster (lbs./hr. required for 70°F rise)	120

*Booster heaters completely inter plumbed,
Controls are interwired*

Venting

Load end (minimum CFM)	200
Unload end (minimum CFM)	400

Standard 20" x 20" rack complement

Peg	2
Flat	1



NEW Exclusive Digital Gauges



NEW Durable Stainless Steel Start/Stop Switches



One-Piece Cast Stainless Steel Spray Assembly



Stainless Steel Built-in Nested Booster



Two-Piece Scrap Screen



Built-in Scrap Basket for ease of cleaning



64 SERIES

64, 86 PW, 90 FFPW, 100 HDPW

High-Temperature
Rack Conveyor Dishwashing Machine

Champion®

The Dishwashing Machine Specialists

OPTIONS & ACCESSORIES

- Tank heat: choice of steam coil, steam injector, hot water coil
- 2 Hp prewash motor
- 48" Blower-dryer - steam or electric
- Booster Heaters (completely interplumbed, controls are interwired)
 - Steam: 40°F or 70°F rise
 - Electric: 15 kW (40°F rise) (built-in only)
 - Electric: 24 kW (70°F rise) (built-in only)
- Heat Recovery
- Cantilever sideloader (with or without hood) for 90° load operation
 - 24" Sideload
 - 30" Sideload (accepts sheet pans)
- Extended pawl bar (extended drive unit) for use with load tabling
- Racks: peg or flat racks (specify type)
- Steam pressure regulating valve (unmounted)
- Table limit switch, unmounted (recommended on all rack conveyor installations)
- Vent cowl, stainless steel with 7" stack and locking damper
- Extended vent hood, stainless steel with 7" stack and locking damper
- Water pressure regulating valve (unmounted) (standard with booster)
- Water hammer kit
- Drain tempering kit
- Vertical clearance through machine: 24" (instead of standard 20") for larger ware
- Model CCT 180 (180° Corner Conveyor Table)
- Model CCT 90 (90° Corner Conveyor Table)
- Model RCT 64 or RCT 84 Roller Conveyor Table (See factory for custom length)
- Splash Shields
- NEW** Champion ION scale prevention system



NEW CCT 90
90° Corner Conveyor Table (shown)
NEW CCT 180
180° Corner Conveyor Table
also available



Cantilever Sideloader
(No hood)



Model RCT 64 or RCT 84
Roller
Conveyor Table

Due to an ongoing value analysis program at Champion, specifications contained in this catalog are subject to change without notice.
USGBC and related logo is a trademark owned by the U.S. Green Building Council and is used by permission.

Champion Industries, Inc., 3765 Champion Blvd., Winston-Salem, NC 27105 • 336/661-1556 • Fax: 336/661-1979 • www.championindustries.com
2674 N. Service Road, Jordan Station, Ontario, Canada L0R 1S0 • 905/562-4195 • Fax: 905/562-4618