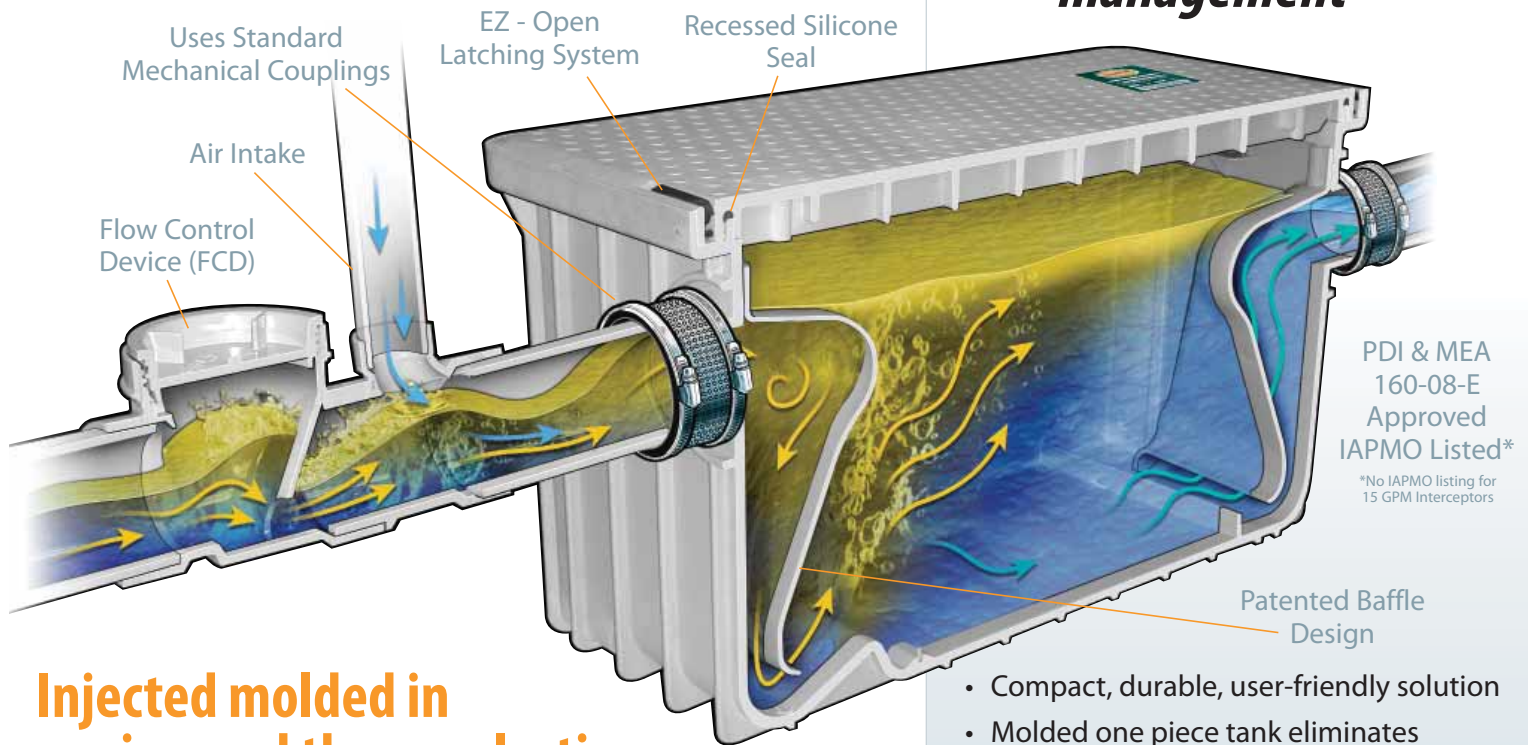


# ENDURA® GREASE MANAGEMENT



## Endura® Grease Interceptor

*The  
Engineered  
Solution  
to grease  
management*



PDI & MEA  
160-08-E  
Approved  
IAPMO Listed\*

\*No IAPMO listing for  
15 GPM Interceptors

**Injected molded in  
engineered thermoplastics,  
Endura® will not corrode,  
chip or peel, even under the  
most severe applications**

WARRANTED  
**10**  
YEARS

**Sewer authorities and building owners spend millions of dollars every year combating grease accumulation in plumbing systems.** Grease accumulation causes sewer blockages and overflows. These overflows are a health risk to you, your employees, your customers and the general public. Injection molded in engineered thermoplastic, the Endura® Grease Interceptor provides restaurant operators the best value and performance on the market today.

- Compact, durable, user-friendly solution
- Molded one piece tank eliminates seams and potential leaking
- Can withstand continuous discharge at 104° C (220° F)
- Lightweight and strong, Endura® models weigh up to 60% less than directly equivalent metal competitors - offers ease of installation, transport and storage
- Endura® supports 440 pounds of pedestrian and light duty traffic
- Connected using mechanical joint couplings allowing for use of various piping materials
- Flexibility of installation - can be installed in-floor, on-floor, or semi-recessed

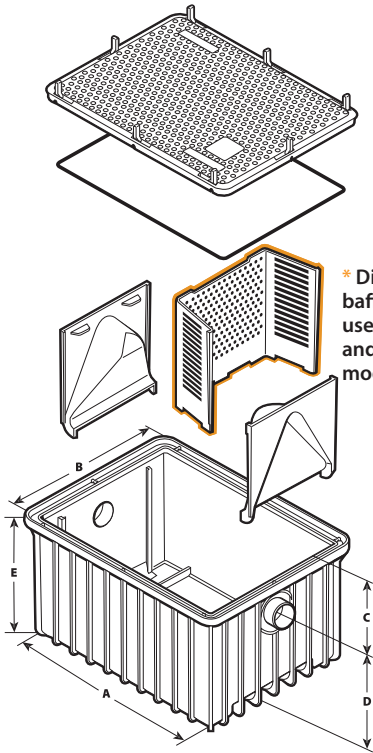
ASME  
A112.14.3



MEC 160-08-E

# endura® Grease Interceptor

Contractor shall install an IPEX Endura® Grease Interceptor, Part No. \_\_\_\_\_ (fill in). A flow control with a rate of \_\_\_\_\_ gpm will also be installed in accordance to manufacturer's instructions. The unit shall be comprised of engineered thermoplastics to withstand operational temperatures up to 220°F (104°C) and incorporate a lid with the capability of supporting 440 lbs. (200 Kgs). The unit will be supported by a 10 year manufacturer's extended warranty. The grease interceptor shall be certified to the current version of the PDI-G101 standard and where locally applicable to ASME112.14.3 or have UPC listing. Contractor shall provide mechanical connectors to connect the grease interceptor.



\* Diffuser baffle only used in 35 and 50 GPM models

## TANK DIMENSIONS

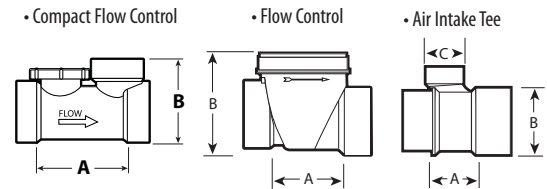
GPM/lbs	15/30	20/40	25/50 LO	25/50	35/70	50/100
<b>A</b>	14.5" (368mm)	23.6" (600mm)	31.0" (787mm)	31.0" (787mm)	31.0" (787mm)	31.0" (787mm)
<b>B</b>	17.5" (444mm)	17.5" (444mm)	23.5" (597mm)	23.5" (597mm)	23.5" (597mm)	23.5" (597mm)
<b>C</b>	3.5" (89mm)	3.5" (89mm)	4" (102mm)	5.0" (127mm)	5.0" (127mm)	5.0" (127mm)
<b>D</b>	12.8" (325mm)	12.8" (325mm)	7" (178mm)	12.5" (318mm)	12.5" (318mm)	18.5" (469.9 mm)
<b>E</b>	16.3" (414mm)	16.3" (414mm)	11" (279mm)	17.5" (444mm)	17.5" (444mm)	23.5" (596.9 mm)

## FLOW CONTROL DIMENSIONS

NOM. Pipe Size	Compact			
	2" h x h	2" h x h	3" h x h	4" h x h
A	3.94" (100mm)	3" (76.2mm)	4.23" (107.4mm)	6.13" (155.7mm)
B	3.44" (87.4mm)	3.84" (97.5mm)	5.93" (151mm)	6.84" (173.7mm)
C	-	-	-	-

## AIR INTAKE DIMENSIONS

3" spg x h	4" spg x h
2.67" (67.8mm)	3.19" (81mm)
4.01" (101.9mm)	5.04" (128mm)
2.27" (57.7mm)	2.72" (69.1mm)



\* 3" Version Illustrated

## CAPACITIES

Part Number	3907A02	3910A02	3915A02C	3920A02	3925A02LO	3925ALT02 (2") 3925ALT03 (3")	3935A03 (3") 3935A04 (4")	3950A03 (3") 3950A04 (4")	4075A04	40100A04
US Gallons Per Minute - GPM (L/Sec)	7 (0.44)	10 (0.63)	15 (0.94)	20 (1.26)	25 LO (1.6)	25 (1.6)	35 (2.2)	50 (3.2)	75 (4.74)	100 (6.3)
Grease Capacity Min - lb (kg)	14 (6.35)	20 (9.07)	30 (13.6)	40 (18.1)	50 (22.68)	50 (22.68)	70 (31.8)	100 (45.4)	150 (68.2)	200 (90.8)
Average Efficiency % (ASME A112.14.3)	95.5%	92.5%	92.0%	95.4%	97.1%	98%	98.6%	93.9%	=>98%	=>98%
Grease Capacity Actual (ASME A112.14.3) - lb (kg) † NSF ES15741	31.95 (14.49)	38.07 (17.28)	40.97 (18.58)	76.4 (34.65)	53.4 (24.22)	56.25 (25.51) *	138.5 (62.8)	122.07 (55.3)*	559 (253)†	1058 (480)†
Operating Temperature Capabilities	220°F (104°C)	220°F (104°C)	220°F (104°C)	220°F (104°C)	220°F (104°C)	220°F (104°C)	220°F (104°C)	220°F (104°C)	160°F (71°C)	160°F (71°C)
Surface Load Capacity	440 lb (200 kg)	440 lb (200 kg)	440 lb (200 kg)	440 lb (200 kg)	440 lb (200 kg)	440 lb (200 kg)	440 lb (200 kg)	440 lb (200 kg)	20,000 lb (9072 kg)	20,000 lb (9072 kg)
Unit Weight (Empty)	15.8 lb (7.17 kg)	15.8 lb (7.17 kg)	15.8 lb (7.17 kg)	23 lb (10.4 kg)	23.9 lb (10.85 kg)	45 lb (20.4 kg)	45 lb (20.4 kg)	60 lb (27.2 kg)	233 lb (106 kg)	283 lb (128 kg)
Liquid Capacity	12.96 gal (49.06 L)	12.96 gal (49.06 L)	12.96 gal (49.06 L)	21.6 gal (81.8 L)	18.9 gal (71.54L)	39.4 gal (149.1 L)	39.4 gal (149.1 L)	52.0 gal (197 L)	158 gal (598 L)	257 gal (973 L)
Connection size (mechanical joint only)	2"	2"	2"	2"	2"	2" (3925ALT02) 3" (3925ALT03)	3" (3935A03) 4" (3935A04)	3" (3950A03) 4" (3950A04)	4"	4"

\* Not evaluated to breakdown capacity (PDI-G101)

**Grease Capacity Min - lb (kg):** Industry minimum grease capacity based on GPM flow rate. Requires minimum 2 lb of grease capacity for each GPM of flow.

**Grease Capacity Actual - lb (kg):** Actual capacity at breakdown when tested to ASME A112.14.3 / NSFES 15741 as indicated.



Eastern U.S. Customers  
Tel: (289) 881-0120  
Toll Free: 1-800-463-9572  
Fax: (905) 844-0826  
www.ipexamerica.com

Western U.S. Customers  
Tel: (303) 373-1918  
Toll Free: 1-888-461-5307  
Fax: (303) 373-1923  
sales@ipexamerica.com