

the Smart Oven™ Pizzaiolo

Instruction Book – BPZ800



Breville®



Contents

- 2 Breville recommends safety first
- 6 Components
- 8 Functions
- 13 Hints & Tips
- 15 Care & Cleaning
- 17 Troubleshooting
- 19 French

BREVILLE RECOMMENDS SAFETY FIRST

At Breville we are very safety conscious. We design and manufacture consumer products with the safety of you, our valued customer, foremost in mind. In addition we ask that you exercise a degree of care when using any electrical appliance and adhere to the following precautions.

IMPORTANT SAFEGUARDS

READ ALL INSTRUCTIONS BEFORE USE AND SAVE FOR FUTURE REFERENCE

When using electrical appliances, basic safety precautions should always be followed including:

- Remove and safely discard any packing materials and promotional labels before using the oven for the first time.
- To avoid choking hazard for young children, remove and safely dispose of the protective cover fitted on the power plug.
- Do not use the appliance near the edge of a countertop or table. Ensure the surface is stable, level, heat-resistant and clean.
- Do not use on a cloth-covered surface, near curtains or other flammable materials.
- A fire may occur if the oven is covered or touches flammable materials, including curtains, draperies, walls, and the like, when in operation.
- Do not use the appliance on (or close to) a hot gas or electric burner, or where it could touch a heated oven or surface.

- Do not let the power cord hang over the edge of a table or counter, touch hot surfaces or become knotted.
- To avoid electric shock, do not immerse the cord, plug or motor base in water (or other liquids).
- When operating the oven, keep a minimum distance of 4" (10cm) of space on both sides of the appliance and 6" (15cm) above.
- Do not touch hot surfaces. To avoid burns, use extreme caution when removing the included pizza pan or pizza stone as they might be very hot.
- Do not lay cooking utensils, roasting pans or dishes on the glass door.
- Do not leave the door standing open for extended periods of time.
- Do not store any item on top of the oven when in operation except the dedicated optional bamboo chopping board.
- Do not place cardboard, plastic, paper, or other flammable materials in the oven.
- Do not cover any part of the oven with metal foil. This will cause overheating of the oven.
- We recommend using the dedicated BPZ800 pan with the pizza oven, although other cast iron/carbon steel pans that fit are also suitable for usage.
- Do not use non-stick or coated pans in the oven.
- Use caution when using stainless steel pans as they may discolor at high temperatures.
- Caution should be exercised when removing the pan from the oven. Pan should be placed on a heat proof material.
- No lid should be used in the oven on top of the pan.
- Oversized foods and metal utensils must not be inserted in the oven as they may create fire or risk of electric shock.
- To avoid any direct contact with the oven, the provided pizza peel should be used at all times when inserting a pizza into the cavity, unless cooking a pan pizza.
- The use of accessories and attachments not recommended or supplied with this oven may cause injuries.
- Do not store any materials, other than manufacturers recommended accessories, in this oven when not in use.

- This appliance is for household use only. Do not use in any type of moving vehicles. Do not use the appliance outdoors, or for anything other than its intended use. Misuse can cause injury.
- If the appliance is to be cleaned, moved, assembled or stored, always switch the unit off and allow it to cool completely, before unplugging it from the power outlet.
- Do not clean with metal scouring pads. Pieces can break off the pad and touch electrical parts, creating a risk of electric shock.
- Close supervision is necessary when the appliance is used by or near children.
- Longer detachable power-supply cords or extension cords are available and may be used if care is exercised in their use.
- It is recommended to regularly inspect the appliance and power cord. Do not use the appliance if there is damage to the power cord or plug, or after the appliance malfunctions or has been damaged in any way. Immediately stop use and call Breville Consumer Support.
- We recommend operating the oven on a dedicated circuit separated from other appliances. Consult a licensed and qualified electrician if you are unsure.
- Servicing should be performed by an authorized service representative.



WARNING

To prevent electric shock, unplug before cleaning.

SHORT CORD INSTRUCTIONS

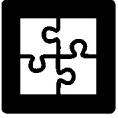
Your Breville appliance is fitted with a short power supply cord to reduce personal injury or property damage resulting from pulling, tripping or becoming entangled with a longer cord.

If an extension cord is used,
(1) the marked electrical rating of the cord set or extension cord should be at least as great as the electrical rating of the appliance,
(2) the cord should be arranged so that it will not drape over the countertop or table-top where it can be pulled on by children or tripped over unintentionally and
(3) the extension cord must include a 3-prong grounding plug.

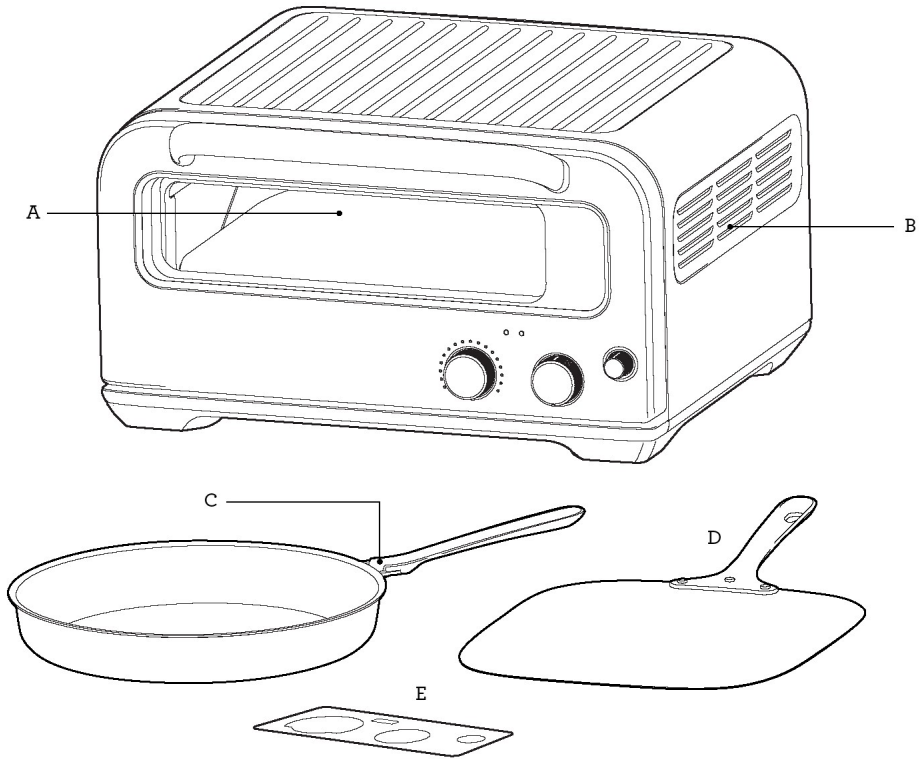
BREVILLE ASSIST[®] PLUG

Your Breville appliance comes with a unique Breville Assist[®] Plug, conveniently designed with a finger hole to ease removal from the power outlet.

**FOR HOUSEHOLD USE ONLY
SAVE THESE INSTRUCTIONS**



Components



A. Active Deck

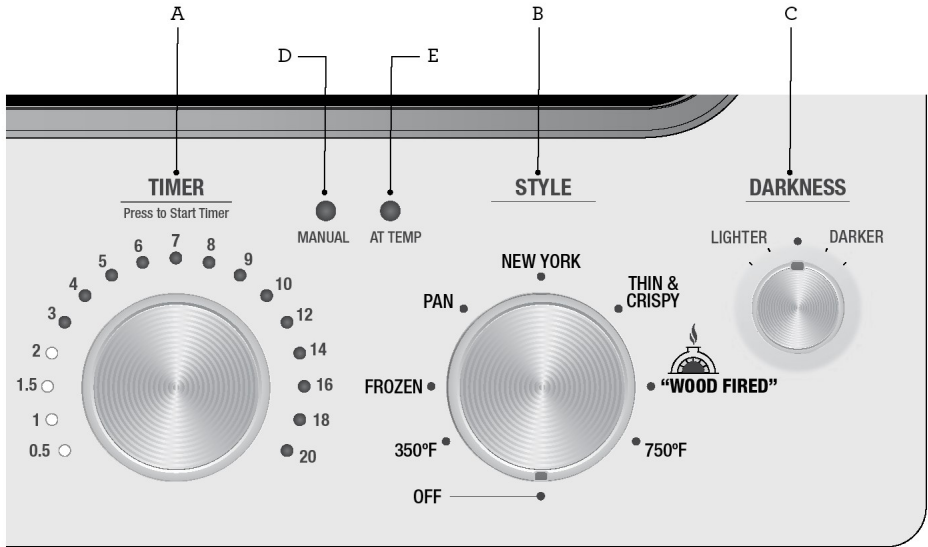
The stone deck is designed to move forward and down when you are opening the door; this system makes loading and unloading the pizza easy, while achieving ultimate performance.

B. Ventilation Slots

C. Pizza Pan with removable handle

D. Pizza Peel

E. Manual Mode alternate interface magnet



A. TIME dial

B. STYLE dial

C. DARKNESS dial

- The char/darkness on the top of the pizza can be adjusted using the DARKNESS dial.
- The dial allows you to increase or decrease the temperature of the oven.
- Center position is default. Turn the dial clockwise to increase the temperature and counterclockwise to decrease it.

D. MANUAL MODE light

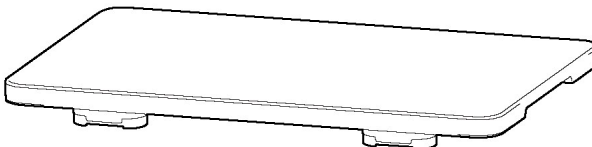
Indicates when you are in Manual Mode.
For further explanation, refer to the 'Manual Mode' section on page 11.

E. AT TEMP light

Light will flash during the initial preheating of the oven (do not cook when flashing). When the oven has reached the desired temperature, the AT TEMP light will turn on. If the AT TEMP light flashes, this means that the oven has fallen outside the desired temperature for cooking. Please wait until the AT TEMP light turns on again to load your pizza.

Bamboo Cutting Board

Accessory sold separately.





Functions

BEFORE FIRST USE

In order to remove any protective substances on the heating elements, it is necessary to run the oven empty for 20 minutes. Ensure the area is well ventilated as the oven may emit vapors. These vapors are safe and are not detrimental to the performance of the oven.

1. Remove and safely discard any packing material, promotional labels and tape from the oven.
2. Remove the pizza stone from its packaging. Gently wipe the top black surface of the deck with a damp cloth. Dry thoroughly and place the pizza stone in the oven cavity.
3. Wipe the interior of the oven with a soft, damp sponge.
4. Place the oven on a flat, dry surface. Ensure there is a minimum distance of 4" (10cm) of space on both sides of the oven and 6" (15cm) above.
5. Unwind the power cord completely and insert the power plug into a grounded power outlet.
6. The oven alert will sound and the TIME dial lights will illuminate and then turn off.
7. Turn the STYLE dial clockwise until the indicator reaches the 750°F (400°C) function.
8. Let the oven run for 20 minutes.
9. The oven is now ready to use.
10. Refer to seasoning the pan section on page 15 for instructions for first use of pan.

OPERATING YOUR BREVILLE OVEN

Due to the extremely high temperatures being achieved, please ensure to place the oven in a well-ventilated area, as it will emit smoke when cooking.

1. Insert the pizza stone into the pizza oven cavity.
2. Turn the STYLE dial to the desired setting.

3. The TIME dial lights will illuminate with the recommended time specific to the setting. The time can be adjusted by turning the time dial.
4. The AT TEMP light will flash to indicate that the oven is preheating.
5. Allow the oven to preheat until the AT TEMP light stops flashing, and stays on. The preheating time can vary between 10-20 minutes depending on the selected preset.
6. Use the pizza peel to place the pizza directly on the pizza stone. Do not use the peel when using the pizza pan.
7. Close the oven door. If using the pizza pan be sure to remove the handle first.
8. Press the TIME dial to start the countdown timer.
9. At the end of the cooking cycle, the oven alert will sound and the TIME dial lights will flash and then go out.
10. Remove your pizza and enjoy.



NOTE

Make sure the oven is preheated before placing the pizza in the cavity. If cooking multiple pizzas, wait until the AT TEMP light turns solid on before loading your next pizza.

If cooking different types of pizza, it is advised to start with the type that uses the lowest temperature.



NOTE

For high temperature cooking functions, we recommend you monitor and stay close to the oven as your food can quickly become overdone and eventually ignite.

See Troubleshooting for more information.



WARNING

After cooking, allow the oven to cool completely before unplugging from the wall. Fans will continue to run to cool the sensitive electronics. These fans will automatically turn off when the temperatures

are at an acceptable level.

FUNCTIONS

TIME

Timer to alert you when your pizza is ready. The recommended time will illuminate depending on the selected pizza style, but can be adjusted before or during cooking to suit your preference. Push dial to start timer. The countdown cycle can be stopped at any time by turning the dial down to zero.

PIZZA STYLE

750°F (400°C)

(Recommended time: 3 mins)

Extremely intense heat. Ideal for cooking charred vegetables.

Note that the cooking time can vary depending on the type of vegetable being cooked.

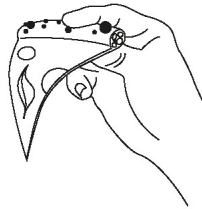
"WOOD FIRED"[†]

(Recommended time: 2 mins)

Achieve authentic Neapolitan pizza results at home!

Extremely high heat.

Expect a cooked but malleable crust with distinct blisters and charring (leopard spotting).

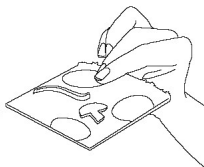


[†]This product does not utilize any wood or wood by-product. The term "Wood Fired" refers to the specific heat performance characteristics of this oven that replicate that of a wood fired brick oven.

THIN & CRISPY

(Recommended time: 4–5 mins)

This dough is rolled out thin which gives the pizza a crisp result. The toppings should be right to the edge and the sauce can be spread to the very outside of the pizza.

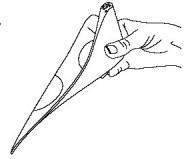


NEW YORK

(Recommended time: 7–8 mins)

The heat profile has been designed to achieve the iconic New York style pizza.

Toppings and crust should be evenly browned and the pizza should have a chewy mouthfeel.



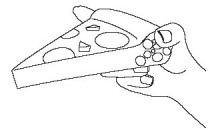
PAN

(Recommended time: 18 mins)

Amazing crunchy base, fluffy dough and plenty of toppings with sauce almost to the edge.

The ultimate pizza indulgence.

This setting requires the use of the pan provided with your pizza oven.



FROZEN

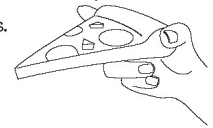
(Recommended time: 12–20 mins)

Great frozen pizza results.

350°F (175°C)

(Recommended time: 10 mins)

Perfect to reheat your pizza.



DARKNESS

If you prefer your pizza with a darker crust, this can be achieved thanks to the DARKNESS dial that allows you to adjust the temperature in your pizza oven.

The center position is the default. Turn the dial clockwise to increase the temperature and counterclockwise to decrease it.

ELEMENT IQ®

The Breville Pizzaiolo oven features Element IQ®, a cooking technology that adjusts what heating elements are on, and the power of each of the heating elements to achieve the optimum cooking performance.

Each of the oven's functions is preset with our recommended deck and top temperatures, that are based on recipes and testing.

Depending on the recipe, amount of food and your personal taste, these can be adjusted with the use of the DARKNESS dial.

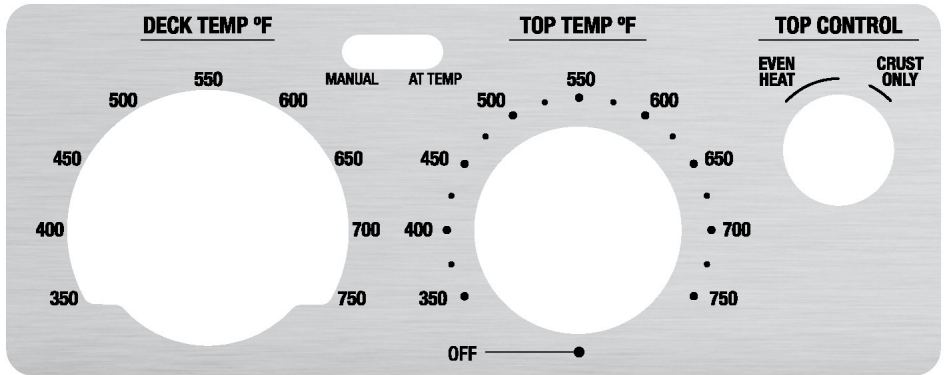
MANUAL MODE FUNCTION

Manual Mode is an alternative mode of operation that allows you to individually control deck and top temperatures, and to select which heaters are in operation. This enables you to fully customize how the oven functions.

For better use of the Manual Mode, the alternate interface magnet provided with the pizza oven should be placed on the front of the interface to indicate what temperatures you have set and what heaters are using.

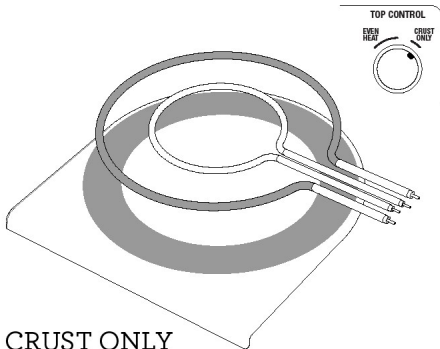
To set the oven to “Manual Mode”

1. Press and hold the TIME/DECK TEMP dial.
2. Turn the STYLE/TOP TEMP dial from OFF to 350°F.
3. Release the TIME/DECK TEMP dial.
4. The Manual Mode light will flash three times and then stay on.

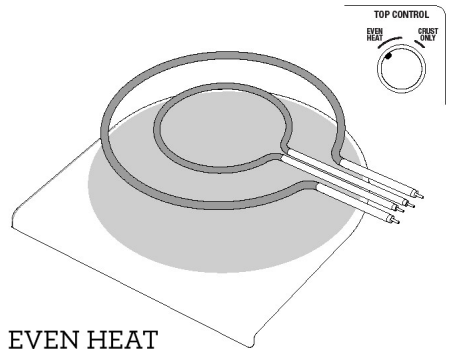


When the Manual Mode is selected, the TOP CONTROL dial will allow you to choose the heat configuration generated from the top element(s).

If cooking a Neapolitan style pizza which requires higher heat on the crust to achieve leopard spotting, or if cooking with delicate ingredients, turn the TOP CONTROL dial to select ‘CRUST ONLY’:



For other styles of pizza that require that the toppings and the dough to be cooked evenly, turn the TOP CONTROL dial to select ‘EVEN HEAT’:



When using Manual Mode, refer to the table below for suggested times and temperature ranges depending on the style of pizza being cooked:

PIZZA	TIME	DECK TEMP	TOP TEMP	CRUST CONTROL
NEAPOLITAN	2 mins	675-725°F 360-385°C	700-750°F 370-400°C	Crust Only
THIN & CRISPY	4-5 mins	600-650°F 315-340°C	575-625°F 300-330°C	Even Heat
NEW YORK	7-8 mins	450-500°F 230-260°C	425-475°F 220-245°C	Even Heat
PAN PIZZA	18 mins	525-575°F 270-300°C	450-500°F 230-260°C	Even Heat
FROZEN	12-20 mins	400-450°F 205-230°C	350-400°F 180-205°C	Even Heat



NOTE

The deck and top temperatures affect each other, so there are limitations on the possible combinations.

To return to pre-set mode, simply turn the STYLE dial to OFF and then turn back on to select desired function.



Hints & Tips

HOW TO SHAPE THE NEAPOLITAN PIZZA DOUGH

For the Neapolitan dough recipe, refer to the recipe card provided with the pizza oven.

- Add flour, yeast and salt to the bowl of a bench mixer. Stir to combine. Add the water and knead on low speed until the dough is smooth and elastic, 5–6 minutes.
- Cover with plastic wrap and proof until doubled in size 45–60 minutes.
- Divide dough into 4x 8-ounce (240g) pieces. Using lightly floured hands, shape each piece into a smooth ball.
- Lightly dust two baking trays with semolina mix and place the dough balls on the trays, leaving 4 inches (10cm) between the balls. Lightly oil the top of each ball then thoroughly wrap each tray with plastic wrap. Refrigerate for at least 6 hours or up to 4 days.
- Let dough stand, still wrapped, at room temperature for 1 hour before use. Sprinkle a generous amount of semolinamix on a clean work surface. Use a bench scraper (or a spatula) to lift out one dough ball. Keep the remaining dough covered until ready to use.
- Working with one dough disc at a time, coat dough in the semolina mix.
- On a lightly floured work surface, gently press out dough from the center into a 6-inch (15cm) circle, leaving a 1-inch (2cm) border around the edge. Gently stretch dough into a 10 to 12-inch (25–30cm) circle.



NOTE

The dough can be hard to shape if it has not rested long enough or is still too cold.

If the dough snaps back when shaping, let it rest for a further 15–30 minutes under a damp cloth. It will make the dough easier to manage.



TIPS

If having difficulty stretching the dough, place the floured dough on the top of an upside-down bowl, then gently stretch the dough down the sides.

The dough can also be kneaded by hand or by using a food processor. Dough is ready when it is possible to stretch a very thin (almost transparent) piece without tearing.

HOW TO USE THE PEEL

When cooking pizzas that do not require the use of the pan, it is essential to cook your pizza directly on the deck. This requires the use of the pizza peel to transfer your pizza into the oven.

Ensure that the oven is already preheated before placing the dough on the pizza peel.

- Sprinkle a small amount (approximately ½ tsp) of flour and semolina mix (half and half) over the surface of the peel before placing the dough on it.
- Place your stretched dough onto your peel and begin saucing/topping your pizza.
- **WORK FAST!** Add your sauce and toppings quickly. If not, the moisture in your dough will cause it to stick to the peel and make it difficult to slide your pizza onto the stone.
- Do not let the dough sit on the peel for more than about 2 minutes to prevent it from sticking.
- Once the pizza is topped and ready to cook, position the peel to the back of the oven. Let the tip of the peel rest on the deck and raise the handle so that the whole peel is tilting forward. Jiggle the peel back and forth gently to allow the tip of the pizza to touch the deck.
- Gradually jiggle the peel out of the oven stretching the pizza out on the deck as you go.
- Once cooked, slide the peel under the pizza to remove from the oven.



TIPS

The aim is to use just enough flour/semolina to ensure the pizza doesn't stick on the peel. If you use too much, the excess flour will burn on the stone, causing a bitter taste and a yellow color on the base of the pizza. This excess flour will also increase the amount of smoke and chance of a fire occurring in the oven after you have removed your pizza.



NOTE

The peel needs to remain cold and clean to prevent the dough from sticking. Do not sit the peel under the pizza oven, while waiting to load the pizza onto its surface.

HOW TO USE THE PAN

For pan style pizza, the pizza should be prepared in the unheated pizza pan and then placed in a preheated oven. Always ensure to have deck in place when using the pizza pan.

Alternatively the pan can be preheated before adding food, e.g. vegetables, to achieve better charring results.

Tips for perfect toppings

- Remove buffalo mozzarella from brine and press gently on paper towel to drain.
- Non-cured meats and thicker vegetables should be pre-cooked before using as pizza topping.
- Excessive amounts of sauce or toppings can make the crust soggy.
- Increasing salt content in your dough can help with achieving leopard spotting.
- Extra sauce for Neapolitan and Pizza sauce can be frozen in smaller portions until required.



Care & Cleaning

Before cleaning, ensure the oven and all accessories are cool, and remove the power plug from the power outlet.

Cleaning the outer body and door

1. Wipe the outer body with a soft, damp sponge. A non-abrasive liquid cleanser or mild spray solution may be used to avoid build-up of stains. Apply the cleanser to the sponge, not the oven surface, before cleaning.
2. To clean the glass door, use a glass cleaner or mild detergent and a soft, damp sponge or soft plastic scouring pad. Do not use an abrasive cleanser or metal scouring pad as these will scratch the oven surface.
3. Let all surfaces dry thoroughly prior to inserting the power plug into a power outlet and turning the oven on.



WARNING

Do not immerse the body, power cord or power plug in water or any other liquid as this may cause electrocution.

Cleaning the Active Deck (pizza stone)

1. In order to avoid damaging the pizza stone, we highly recommend wiping the surface with a soft, damp sponge after each use.
2. If the pizza stone needs to be removed for cleaning outside of the oven, we recommend handling the pizza stone with extreme care.
3. The top, black surface of the pizza stone can be cleaned with a firm sponge and warm soapy water. Rinse and dry thoroughly before use.
4. The pizza stone cannot be soaked or put in a dishwasher.
5. Always reinsert the pizza stone into the oven after cleaning and prior to inserting the power plug into a power outlet and turning the oven on.

Cleaning the pizza peel

1. Wash the pizza peel in warm soapy water with a soft sponge or soft plastic scouring pad. Rinse and dry thoroughly. Do not use abrasive cleansers, metal scouring pads or metal utensils to clean any of the accessories as they may damage the surfaces.
2. Alternatively, the peel can also be placed in the dishwasher.

Seasoning the pizza pan

The pan provided with your pizza oven is made of carbon steel and requires special care. Please season the pan using the following instructions before first use.



WARNING

It is important to note that during the seasoning process the oven will be at a temperature above the flash point of the oil used. This might cause the oil to spontaneously flash or ignite. To minimize this risk do not exceed the amount of oil described in the instructions below and keep the door fully closed at all times during the process. If fire or flash is observed, do not be alarmed, keep the door closed and any flames will extinguish themselves quickly.

1. Set the STYLE dial to 750°F (400°C) and allow the oven to preheat.
2. Wipe the pizza pan with a dry paper towel or cloth.
3. Add no more than ½ teaspoon of lard, vegetable or flaxseed oil (not olive oil) to the paper towel and rub a thin layer of oil around the inside of the pan and handle bracket.
4. Put the pizza pan onto the deck in the preheated oven (AT TEMP light will remain lit, and will cease flashing) for 10 minutes.
5. Remove the pan carefully and place on a heat proof surface.

6. Reapply no more than another ½ teaspoon of lard, vegetable or flaxseed oil (not olive oil) to the paper towel and rub a thin layer of oil around the outside side of the pan.
7. Put the pan in a preheated 750°F (400°C) pizza oven for a further 10 minutes.
8. Repeat steps 3 to 7 for a second time.

Your pan is now ready for use. We recommend regular seasoning for best performance and to extend the life of your pan.

Cleaning the pizza pan

For regular cleaning, we recommend washing the pan by hand with warm water and mild soap, if necessary. Dry the pan thoroughly and season according to the seasoning guide.



WARNING

Never put the pizza pan in the dishwasher.

Storing the pizza oven

1. Ensure the oven and all accessories are cool, clean and dry.
2. Ensure the Active Deck (pizza stone) is inserted into the oven.
3. Ensure the door is closed.
4. Store the appliance in an upright position standing level on its support legs. Do not store the pan or anything else on top. The only exception is the pizza peel and the optional Breville Bamboo Cutting Board.



Troubleshooting

POSSIBLE PROBLEM	EASY SOLUTION
Oven will not switch "ON"	<ul style="list-style-type: none">• Check that the power plug is securely inserted into the outlet.• Insert the power plug into an independent outlet.• Insert the power plug into a different outlet.• Reset the circuit breaker if necessary.
The AT TEMP light is flashing	<ul style="list-style-type: none">• This indicates that the oven is outside the desired temperature for cooking. Wait till the AT TEMP light turns solid on before loading your pizza.
Steam is coming out of the oven door	<ul style="list-style-type: none">• This is normal. The door is vented to release steam created from high moisture content foods.
The heating elements appear to be pulsing/ some elements appear off	<ul style="list-style-type: none">• Element IQ® accurately controls the heat inside the oven by pulsing the power and adjusting the power level in the heating elements in short bursts to give accurate temperature control. This is normal.
There is a noise coming from the oven after it is turned off	<ul style="list-style-type: none">• During cooking, cooling fans turn on to protect sensitive electronic components from overheating. Due to the extreme temperatures this oven gets to, these fans remain on after cooking has finished, until temperatures are low enough for the components. Please do not unplug the oven from the wall until these fans turn off.
Smoke is coming out of oven	<ul style="list-style-type: none">• This is normal during cooking due to the extreme high temperatures. To reduce this, try to limit the amount of flour/semolina used on your peel. It is also recommended to use the oven in a well-ventilated area.
Fire in the oven	<ul style="list-style-type: none">• Don't be alarmed. Close the door if it is still open. If the fire does not self-extinguish within 20 seconds, unplug the unit and keep the door closed until the fire is out.

the Smart Oven™ Pizzaiolo

Manuel d'instructions – BPZ800



Breville®



Table des matières

- 19 Breville vous recommande
la sécurité avant tout
- 23 Composants
- 25 Fonctions
- 30 Trucs et astuces
- 32 Entretien et nettoyage
- 34 Guide de dépannage

BREVILLE VOUS RECOMMANDE LA SÉCURITÉ AVANT TOUT

Chez Breville, la sécurité occupe une place de choix. Nous concevons et fabriquons des produits de consommation sans jamais perdre de vue la sécurité de notre précieuse clientèle. De plus, nous vous demandons d'être très vigilant lorsque vous utilisez un appareil électrique et de respecter les consignes de sécurité qui suivent.

IMPORTANTES MESURES DE c[®] SÉCURITÉ

LISEZ TOUTES LES INSTRUCTIONS AVANT USAGE ET SAUVEGARDEZ- LES EN GUISE DE RÉFÉRENCE

Lorsque vous utilisez un appareil électrique, des mesures de sécurité élémentaires s'imposent, y compris :

- Retirez et jetez en lieu sûr tout le matériel d'emballage et les étiquettes promotionnelles avant d'utiliser le four à pizza pour la première fois.
- Pour éviter tout risque de suffocation chez les jeunes enfants, retirez et jetez en lieu sûr le capuchon protecteur recouvrant la fiche du cordon d'alimentation.
- Ne faites pas fonctionner l'appareil sur le bord d'un comptoir ou d'une table. Assurez-vous que le plan de travail est stable, de niveau, propre et résistant à la chaleur.
- Ne faites pas fonctionner l'appareil sur une surface recouverte de tissu, près des rideaux ou autre matériel inflammable.

- Un feu peut se déclarer si le four est recouvert ou touche à du matériel inflammable, comme les rideaux, draperies, murs et autres, lorsqu'il fonctionne.
- N'utilisez pas l'appareil sur ou près d'un élément à gaz ou électrique ou à un endroit où il pourrait entrer en contact avec un four chaud ou une surface chaude.
- Ne laissez pas le cordon d'alimentation pendre d'un comptoir ou d'une table, toucher des surfaces chaudes ou se nouer.
- Pour éviter tout risque d'électrocution, n'immergez pas le cordon, la fiche ou le socle motorisé dans l'eau ou tout autre liquide.
- Lorsque vous utilisez le four, laissez un espace de 10 cm (4 po) de chaque côté de l'appareil et 15 cm (6 po) au-dessus.
- Ne touchez pas les surfaces chaudes du four. Pour éviter les brûlures, soyez extrêmement prudent lorsque vous retirez la poêle à pizza ou la pierre à pizza, car elles peuvent être très chaudes.
- Ne déposez aucun ustensile, poêle ou plat sur la porte vitrée.
- Ne laissez pas la porte du four ouverte pour une période prolongée.
- Ne rangez aucun objet sur le dessus du four lorsqu'il est en marche, sauf la planche à découper (optionnelle) en bambou.
- Ne placez pas d'objets en carton, plastique, papier ou autres matériaux inflammables dans le four.
- Ne couvrez aucune pièce du four de papier aluminium, car cela pourrait le faire surchauffer.
- Nous vous recommandons d'utiliser la poêle à pizza spécialement conçue pour le four à pizza BPZ800, bien que d'autres poêles en fonte/acier au carbone de format similaire peuvent aussi convenir.
- N'utilisez pas de poêles antiadhésives ou recouvertes d'un enduit dans le four.
- Soyez prudent lorsque vous utilisez une poêle en acier inoxydable, car elle pourrait décolorer sous de hautes températures.
- Faites preuve de prudence lorsque vous retirez la poêle du four. Déposez-la sur une surface résistante à la chaleur.

- Aucun couvercle ne doit être utilisé dans le four pour recouvrir la poêle à pizza.
- Ne placez pas d'aliments surdimensionnés ou ustensiles en métal dans le four, car ils peuvent provoquer un feu ou un risque d'électrocution.
- Afin d'éviter tout contact direct avec le four, insérez toujours la pizza dans le four à l'aide de la palette à pizza fournie, à moins de cuire une pizza à la poêle.
- L'utilisation d'accessoires non recommandés ou fournis avec ce four peuvent causer des blessures.
- Ne rangez aucun objet dans le four lorsqu'il n'est pas utilisé, sauf les accessoires recommandés par le fabricant.
- Cet appareil est uniquement destiné à un usage domestique. Ne l'utilisez dans aucun véhicule en mouvement. N'utilisez pas cet appareil à l'extérieur ou pour autre chose que l'utilisation prévue. Un usage inadéquat peut causer des blessures.
- Si l'appareil doit être nettoyé, déplacé, assemblé ou rangé, éteignez-le toujours et laissez-le refroidir complètement avant de le débrancher de la prise électrique.
- Ne nettoyez pas l'appareil avec un tampon à récurer métallique, car de minuscules fils peuvent se briser et toucher aux composants électriques, entraînant un risque d'électrocution.
- Une surveillance étroite est requise lorsque l'appareil est utilisé par ou à proximité d'enfants.
- De longs cordons d'alimentation ou rallonges sont disponibles sur le marché et peuvent être utilisés avec précaution.
- Il est recommandé de vérifier régulièrement l'appareil et le cordon d'alimentation. N'utilisez pas l'appareil si le cordon ou la fiche d'alimentation sont endommagés, si l'appareil a mal fonctionné ou a été endommagé de quelque façon que ce soit. Cessez immédiatement l'usage et appelez l'équipe de soutien aux consommateurs de Breville.
- Nous vous recommandons de brancher le four sur un circuit électrique dédié, séparément des autres appareils. Consultez un électricien agréé et qualifié si un doute persiste.
- Les réparations doivent être effectuées uniquement par un représentant de service autorisé.



AVERTISSEMENT

Afin de prévenir un risque d'électrocution, débranchez l'appareil avant de le nettoyer.

INSTRUCTIONS SUR LE COURT CORDON

Votre appareil Breville est muni d'un cordon d'alimentation court et très sécuritaire qui prévient les blessures corporelles ou dommages résultant du fait de tirer, trébucher ou s'enchevêtrer dans un cordon plus long.

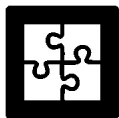
Les cordons d'alimentation détachables ou les rallonges peuvent être utilisés avec précaution. Si vous utilisez une rallonge:

- (1) la puissance électrique indiquée sur le cordon ou la rallonge doit être au moins équivalente à la puissance électrique de l'appareil;
- (2) la rallonge ne doit pas pendre d'un comptoir ou d'une table où de jeunes enfants pourraient s'y suspendre ou trébucher accidentellement;
- (3) la rallonge doit être munie d'une fiche à 3 broches reliée à la terre.

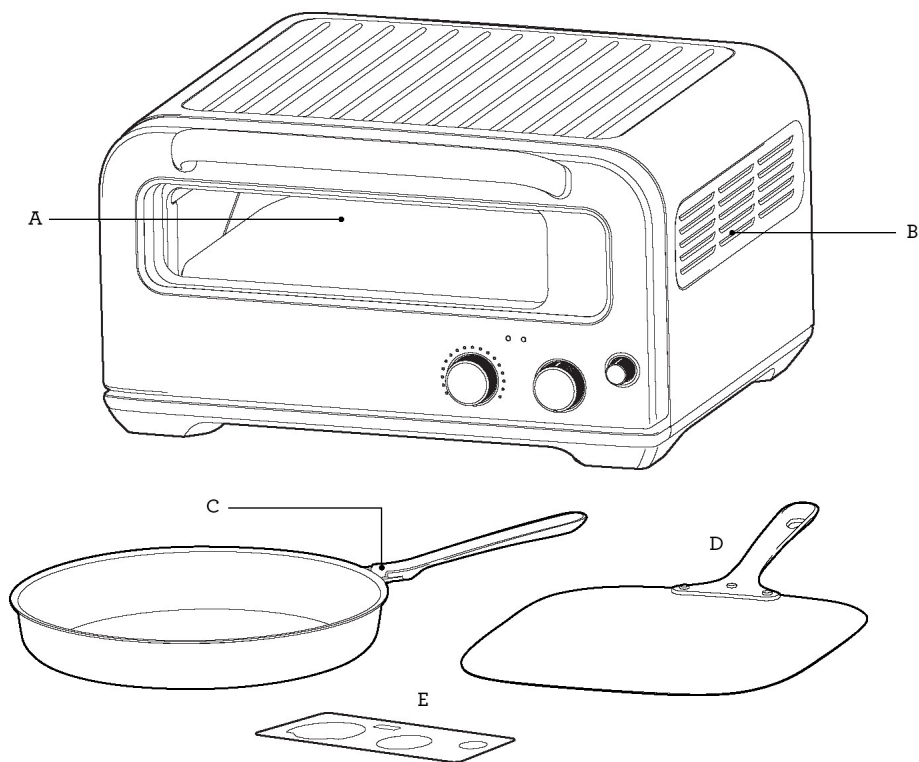
FICHE ASSIST® DE BREVILLE

Votre appareil Breville est muni d'une fiche exclusive Assist® conçue spécialement avec anneau pour laisser passer un doigt et faciliter le retrait sécuritaire de la prise murale.

USAGE DOMESTIQUE SEULEMENT CONSERVEZ CES INSTRUCTIONS



Composants



A. Sole active (pierre à pizza)

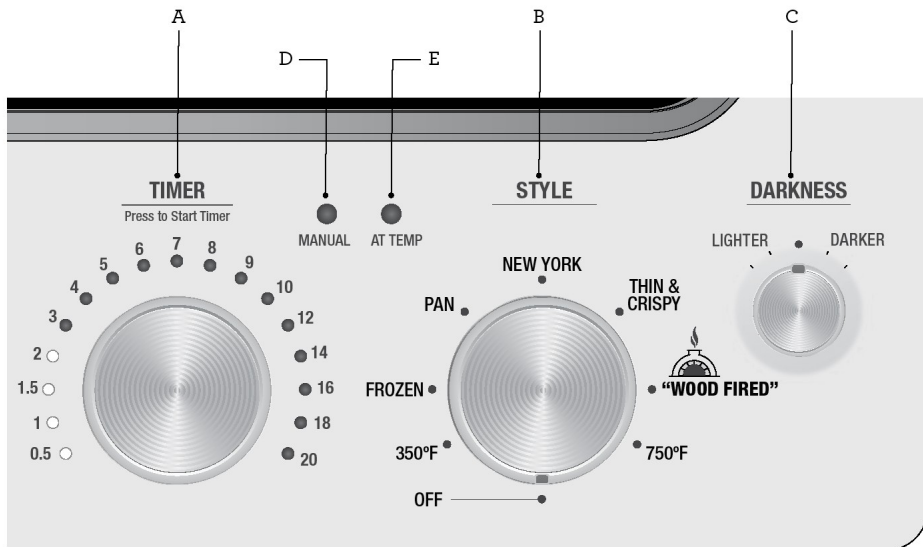
La sole en pierre sort du four et s'abaisse automatiquement lorsque la porte s'ouvre. Ce système facilite l'insertion et le retrait de la pizza tout en assurant une performance optimale.

B. Évents

C. Poêle à pizza avec poignée amovible

D. Palette à pizza

E. Aimant d'interface pour Mode Manuel



A. Molette **TIMER**

B. Molette **STYLE**

C. Molette **DARKNESS**

- Le grillage/la coloration de la garniture peut être ajusté en utilisant la molette **DARKNESS**.
- La molette vous permet d'augmenter ou de diminuer la température du four.
- La position centrale est la valeur par défaut. Tournez la molette en sens horaire pour augmenter la température, et en sens antihoraire pour la diminuer.

D. **MANUAL MODE** light

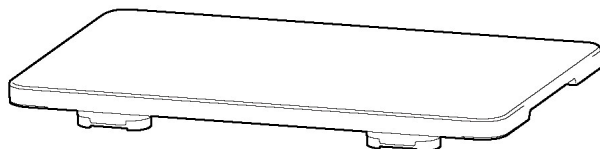
Indique que vous êtes en Mode Manuel.
 Pour plus d'explications, consultez la section «Mode Manuel» à la page 28.

E. Témoin lumineux de température **AT TEMP**

Le voyant lumineux clignote durant le préchauffage initial du four (ne pas faire de cuisson durant ce temps). Lorsque le four a atteint la température désirée, le voyant **AT TEMP** s'allumera. S'il clignote, c'est que la température du four a baissé en deçà de la température de cuisson désirée. Veuillez attendre qu'il se rallume avant d'insérer votre pizza.

Planche à découper en bambou

Accessoire vendu séparément.





Fonctions

AVANT LA PREMIÈRE UTILISATION

Afin d'éliminer toute substance protectrice recouvrant les éléments chauffants, il est nécessaire de faire fonctionner le four à vide durant 20 minutes. Assurez-vous que la pièce est bien ventilée, car des vapeurs peuvent s'échapper du four. Ces vapeurs sont sécuritaires et ne nuiront en rien à la performance du four.

1. Retirez et jetez en lieu sûr tout le matériel d'emballage, les étiquettes promotionnelles et le ruban adhésif du four.
2. Retirez la pierre à pizza de son emballage. Essuyez délicatement la surface supérieure avec un linge humide. Séchez soigneusement et placez la pierre à pizza à l'intérieur du four.
3. Essuyez l'intérieur du four avec une éponge douce et humide.
4. Déposez le four sur une surface plane et sèche. Gardez un espace d'au moins 10 cm (4 po) de chaque côté du four et 15 cm (6 po) au-dessus.
5. Déroulez complètement le cordon d'alimentation et branchez-le dans une prise électrique.
6. L'alerte du four se fera entendre et le témoin de la molette TIMER s'allumera, puis s'éteindra.
7. Tournez la molette STYLE en sens horaire jusqu'à ce qu'elle atteigne 750°F (400°C).
8. Laissez fonctionner le four durant 20 minutes.
9. Le four est maintenant prêt à être utilisé.
10. Consultez la section «Huiler la poêle» à la page 32 pour la première utilisation de la poêle à pizza.

FONCTIONNEMENT DE VOTRE FOUR À PIZZA

En raison des températures extrêmement élevées, assurez-vous de placer le four dans un endroit bien ventilé, car il émettra de la fumée lors de la cuisson.

1. Insérez la pierre à pizza à l'intérieur du four.
2. Tournez la molette STYLE au réglage désiré.
3. Les voyants lumineux de la molette TIMER indiqueront la durée recommandée pour le réglage spécifique.
4. Le voyant lumineux AT TEMP. clignotera pour indiquer que le four préchauffe.
5. Laissez le four préchauffer jusqu'à ce que le voyant AT TEMP cesse de clignoter et reste allumé. La durée de préchauffage peut varier entre 10 et 20 minutes, selon le pré-réglage sélectionné.
6. Insérez la pizza directement sur la pierre à l'aide de la palette à pizza. Cependant, n'utilisez pas la palette pour une cuisson à la poêle.
7. Fermez la porte du four. Si vous utilisez la poêle à pizza, assurez-vous de retirer d'abord la poignée.
8. Appuyez sur la molette TIMER pour activer le compte à rebours.
9. À la fin du cycle de cuisson, l'alerte se fera entendre et le voyant lumineux de la molette TIMER clignotera, puis s'éteindra.
10. Retirez la pizza et savourez!



NOTE

Assurez-vous que le four est préchauffé avant d'insérer la pizza. Si vous faites cuire plusieurs pizzas, attendez que le voyant AT TEMP. reste allumé avant d'insérer l'autre pizza.



NOTE

Pour les fonctions de cuisson à haute température, nous vous recommandons de surveiller et de rester près du four car votre nourriture peut rapidement devenir trop cuite et finalement s'enflammer.

Voir le guide de dépannage pour plus d'informations.



AVERTISSEMENT

Après la cuisson, laissez le four refroidir complètement avant de le débrancher. Les ventilateurs continueront de fonctionner pour refroidir les composants électroniques délicats et s'arrêteront automatiquement quand la température aura atteint un niveau acceptable.

FONCTIONS

TEMPS DE CUISSON

Le minuteur vous avise lorsque votre pizza est prête. Le voyant du temps de cuisson recommandé s'allume en fonction du style de pizza sélectionné, mais il peut être ajusté avant ou après la cuisson, selon vos goûts. Appuyez sur la molette TIMER pour démarrer le minuteur. Le compte à rebours peut être arrêté en tout temps en tournant la molette à zéro.

STYLE DE PIZZA

750°F (400°C)

(Temps recommandé : 3 mins)

Chaleur extrêmement intense, idéale pour griller fortement les légumes.

Notez que le temps de cuisson peut varier selon le type de légumes utilisés.

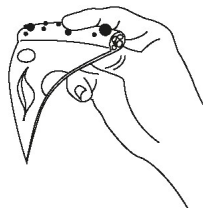
"WOOD FIRED"[†]

(Temps recommandé : 2 mins)

Donne une véritable pizza napolitaine à la maison!

Chaleur extrêmement intense.

La croûte sera cuite, mais malléable et tachetée avec des cloches bien définies.

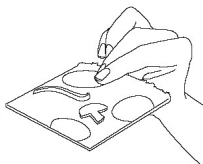


[†]Ce produit n'utilise pas de bois ou de produits dérivés du bois. Le terme "Wood Fired" fait référence à la performance thermique spécifique de ce four qui reproduit celle d'un four à bois en briques.

THIN & CRISPY

(Temps recommandé : 4-5 mins)

Cette pâte est abaissée très finement, pour une croûte croustillante. La garniture doit recouvrir la pâte jusqu'au bord et la sauce doit recouvrir tout le rebord de la pizza.

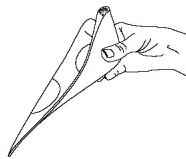


NEW YORK

(Temps recommandé : 7-8 mins)

Le profil de température a été conçu pour reproduire le style iconique de la pizza new-yorkaise.

La garniture et la croûte doivent être grillées uniformément et la pizza doit avoir une texture moelleuse en bouche.



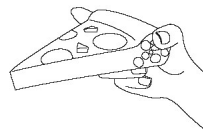
PAN

(Temps recommandé : 18 mins)

Croûte étonnamment croustillante, pâte légère, garniture abondante et sauce presque jusqu'au bord.

Véritable régal.

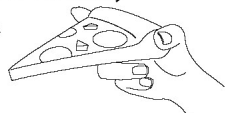
Ce réglage requiert l'utilisation de la poêle fournie avec le four à pizza.



FROZEN

(Temps recommandé : 12-20 mins)

Idéal pour cuire la pizza congelée.



350°F (175°C)

(Temps recommandé : 10 mins)

Idéal pour réchauffer la pizza.

COLORATION

Si vous préférez une pizza à la croûte foncée, cela est possible avec la molette de DARKNESS qui vous permet d'ajuster la température du four.

La position centrale est la valeur par défaut. Tournez la molette en sens horaire pour augmenter la température, et en sens antihoraire pour l'abaisser.

ELEMENT IQ®

Le four Pizzaiolo de Breville dispose de la technologie de cuisson Element IQ® qui reconnaît quels éléments chauffants utiliser et ajuste la puissance de chacun pour atteindre la performance optimale de cuisson.

Nous avons réglé chacune des fonctions de ce four aux températures requises pour la croûte et la garniture, sur la base de tests et de recettes.

Ces températures peuvent être ajustées à l'aide de la molette DARKNESS en fonction de la recette, de la quantité de garniture utilisée et de vos goûts personnels.

l'utiliser.

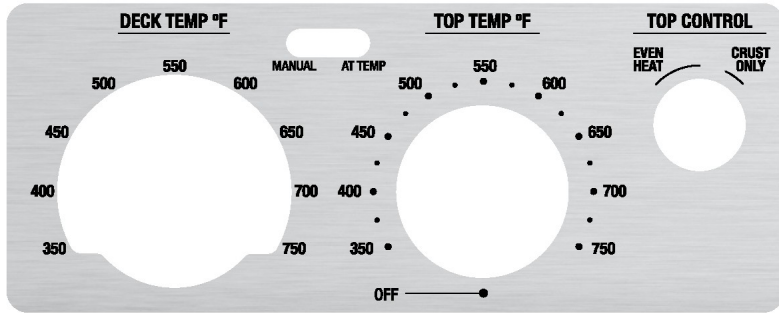
FONCTIONNEMENT EN MODE MANUEL

Le Mode Manuel est une alternative au mode de fonctionnement habituel. Il vous permet de contrôler individuellement les températures de la sole et du haut du four et de sélectionner les éléments qui doivent chauffer. Vous pourrez ainsi personnaliser le fonctionnement du four à votre guise.

Pour une meilleure utilisation du mode Manuel, un aimant d'interface alternatif fourni avec ce four se pose sur le devant de l'interface pour indiquer les températures que vous avez réglées et les éléments chauffants utilisés.

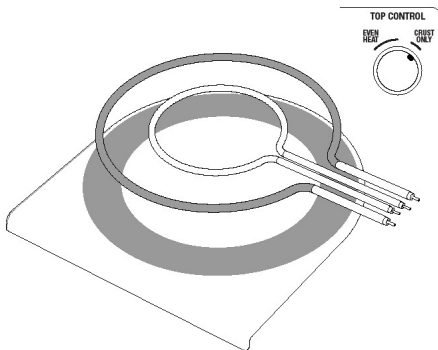
Régler le four au Mode MANUEL

1. Appuyez et maintenez la molette TIME/DECK TEMP
2. Tournez la molette STYLE/TOP TEMP à 350°F.
3. Relâchez la molette TIME/DECK TEMP
4. Le voyant lumineux du Mode Manuel clignotera trois fois, puis restera allumé.

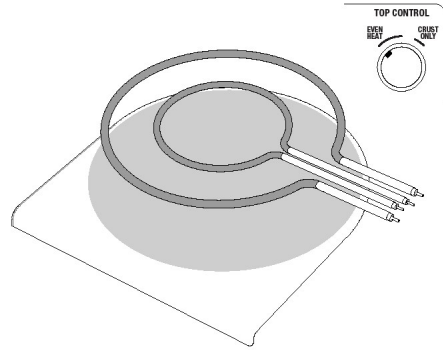


Lorsque le Mode Manuel est sélectionné, la molette TOP CONTROL vous permet de choisir la configuration de chaleur générée par le ou les éléments supérieurs, une cuisson uniforme de la croûte et de la garniture, ou si votre garniture est faite d'ingrédients délicats, tournez la molette TOP CONTROL et sélectionnez CRUST ONLY.

Pour les autres styles de pizza qui requièrent une cuisson uniforme de la croûte et de la garniture, tournez la molette TOP CONTROL et sélectionnez EVEN HEAT.



CROÛTE SEULEMENT (CRUST ONLY)



CHALEUR ÉGALE (EVEN HEAT)

Lorsque vous utilisez le Mode Manuel, référez-vous au tableau ci-dessous pour les températures et temps requis en fonction du style de pizza désiré.

PIZZA	TEMPS	DECK TEMP	TOP TEMP	CONTRÔLE DE CROÛTE
NEAPOLITAN	2 mins	675-725°F 360-385°C	700-750°F 370-400°C	Croûte seulement
THIN & CRISPY	4-5 mins	600-650°F 315-340°C	575-625°F 300-330°C	Chaleur égale
NEW YORK	7-8 mins	450-500°F 230-260°C	425-475°F 220-245°C	Chaleur égale
PAN PIZZA	18 mins	525-575°F 270-300°C	450-500°F 230-260°C	Chaleur égale
FROZEN	12-20 mins	400-450°F 205-230°C	350-400°F 180-205°C	Chaleur égale



NOTE

Les températures inférieure et supérieure sont tributaires l'une de l'autre; les combinaisons possibles sont donc limitées.

Pour revenir au mode de pré réglage, il suffit de tourner le cadran STYLE sur OFF, puis de sélectionner la fonction désirée.



Trucs et astuces

COMMENT FAÇONNER LA PÂTE À PIZZA NAPOLITAINE

Pour la recette de pâte à pizza napolitaine, reportez-vous à la fiche-recette fournie avec le four à pizza.

- Dans le bol d'un batteur sur socle, ajouter la farine, la levure et le sel et mélangez. Ajouter l'eau et pétrir à basse vitesse jusqu'à ce que la pâte soit lisse et élastique, 5-6 minutes.
- Couvrir d'une pellicule plastique et laissez lever jusqu'au double de volume, 45-60 minutes.
- Diviser la pâte en 4 portions de 240 g (8 oz) chacune. Avec les mains légèrement farinées, façonnez chaque portion en une boule lisse.
- Saupoudrez un peu de semoule sur 2 plaques de cuisson et déposez les boules de pâte, laissant 10 cm (4 po) entre chacune. Huilez légèrement chacune des boules et enveloppez-les de pellicule plastique. Réfrigérez au moins 6 heures ou jusqu'à 4 jours.
- Laissez la pâte reposer à la température de la pièce dans la pellicule plastique durant 1 heure. Saupoudrez une bonne quantité de semoule sur un plan de travail propre. Utilisez une spatule pour soulever une boule de pâte. Gardez le reste de la pâte couverte.
- Travaillez avec un disque de pâte à la fois. Enrobez la pâte de semoule.
- Sur un plan de travail légèrement fariné, appuyez doucement sur la pâte à partir du centre, sur une surface de 15 cm (6 po), laissant 2 cm (1 po) libre autour du bord. Étirez délicatement la pâte en un cercle de 25-30 cm (10-12 po).



NOTE

La pâte peut être difficile à façonner si elle n'a pas reposé assez longtemps ou est encore trop froide.

Si la pâte rebondit lors du façonnage, laissez-la reposer encore 15-30 minutes sous un chiffon humide. Elle sera plus facile à manipuler.



ASTUCES

Si vous avez de la difficulté à étirer la pâte farinée, placez-la sur un bol renversé, puis étirez-la délicatement sur tous les côtés.

La pâte peut également être pétrie à la main ou à l'aide d'un robot culinaire. Elle est prête quand on peut l'étirer en une couche très mince (presque transparente) sans qu'elle déchire.

COMMENT UTILISER LA PALETTE À PIZZA

Lorsque vous faites cuire de la pizza qui ne requiert pas l'utilisation de la poêle, il est essentiel de cuire votre pizza directement sur la sole. Vous devrez donc utiliser la palette à pizza pour transférer la pizza dans le four.

Assurez-vous que le four est préchauffé avant de déposer la pâte sur la palette à pizza.

- Saupoudrez une petite quantité ($\frac{1}{2}$ c. à soupe) de farine/semoule (moitié-moitié) sur la surface de la palette avant d'y déposer la pâte.
- Déposez votre pâte étirée sur la palette et nappez-la de sauce à pizza.
- **TRAVAILLEZ RAPIDEMENT!** Ajoutez la sauce et la garniture rapidement, sinon l'humidité dans la pâte la fera coller à la palette et il sera difficile de la glisser sur la pierre.
- Pour empêcher la pâte de coller, ne la laissez pas sur la palette plus de 2 minutes.
- Dès que la pizza est garnie et prête à faire cuire, placez la palette au fond du four. Laissez le bout de la palette reposer sur la sole et soulevez la poignée pour que la palette penche vers l'avant. Secouez-la d'avant en arrière et laissant l'extrémité toucher à la sole.
- En continuant le mouvement d'avant en arrière, sortez graduellement la palette du four en étirant la pâte sur la pierre.
- Une fois cuite, glissez la palette sous la pizza et retirez-la du four.



ASTUCES

L'objectif est d'utiliser juste assez de farine/semoule pour que la pizza ne colle pas à la palette. Si vous en utilisez trop, l'excès de farine brûlera sur la pierre, donnant une croûte amère et jaunie. Cet excès de farine engendrera aussi de la fumée et un risque de feu dans le four, une fois que la pizza aura été enlevée.



NOTE

La palette à pizza doit rester froide et propre pour empêcher la pâte de coller.

Ne mettez pas la palette sous le four en attendant d'y déposer la pizza. Assurez-vous que la Sole active (pierre à pizza) soit en place avant d'insérer la poêle.

COMMENT UTILISER LA POÊLE À PIZZA

Pour une pizza à la poêle, la pizza doit être préparée dans la poêle froide avant de l'insérer dans le four préchauffé.

Par contre, la poêle peut être préchauffée avant d'ajouter la garniture, comme les légumes, pour obtenir des résultats plus grillés.

Astuces pour une garniture parfaite

- Retirez la mozzarella di Bufala de la saumure et pressez-la délicatement sur un essuie-tout pour l'égoutter.
- Les viandes non salées et les légumes plus épais doivent être pré-cuits avant de les utiliser comme garniture.
- Trop de sauce ou de garniture peuvent rendre la croûte détremée.
- Le fait d'augmenter la teneur en sel de la pâte peut aider à obtenir une croûte tachetée.
- Le surplus de sauce à pizza peut être congelé par petites portions jusqu'au moment de



Entretien et nettoyage

Avant le nettoyage, assurez-vous que le four et tous les accessoires sont refroidis, puis débranchez le four.

Nettoyer le boîtier et la porte

1. Essuyez le boîtier du four avec une éponge douce et humide. Un liquide nettoyant non abrasif ou une solution douce en aérosol peuvent être utilisés pour éviter l'accumulation de taches. Appliquez le nettoyant sur l'éponge, et non sur les surfaces du four, avant de le nettoyer.
2. Pour nettoyer la porte du four, utilisez un nettoyant à vitre ou un détergent doux, une éponge humide ou un tampon à récurer en plastique. N'utilisez pas de tampons à récurer abrasifs ou métalliques qui pourraient égratigner la surface de la porte.
3. Laissez les surfaces du four sécher complètement avant de le brancher dans une prise électrique et le faire démarrer.



AVERTISSEMENT

N'immergez pas le boîtier, le cordon d'alimentation ou la fiche dans l'eau ou tout autre liquide, car cela pourrait entraîner un risque d'électrocution.

Nettoyer la sole (pierre à pizza)

1. Afin de ne pas endommager la pierre à pizza, nous recommandons fortement d'essuyer la surface avec une éponge douce et humide après chaque usage.
2. Si la pierre à pizza doit être retirée du four pour la nettoyer, il est conseillé de la manipuler avec extrême précaution.
3. La surface supérieure noire de la pierre à pizza peut se nettoyer avec une éponge et de l'eau tiède savonneuse. Bien rincer et sécher avant son utilisation.
4. Ne laissez pas la pierre à pizza tremper et ne la mettez pas au lave-vaisselle.
5. Réinsérez toujours la pierre à pizza dans le four après l'avoir nettoyée et avant de brancher le four dans une prise électrique et le faire démarrer.

Nettoyer la palette à pizza

1. avez la palette à pizza à l'eau tiède savonneuse à l'aide d'une éponge douce ou d'un tampon à récurer en plastique doux. N'utilisez pas de nettoyants abrasifs, de tampons à récurer métalliques ou d'ustensiles en métal pour nettoyer les accessoires, car ils pourraient endommager la surface.
2. Vous pouvez également laver la palette dans le lave-vaisselle

Huiler la poêle à pizza

La poêle à pizza fournie avec votre four est faite d'acier de carbone et requiert un entretien particulier. Veuillez la préparer avant la première utilisation en suivant les instructions ci-dessous.



AVERTISSEMENT

Durant le processus d'assaisonnement de la poêle, la température du four sera au-dessus du point d'ignition de l'huile utilisée. Cela pourra enflammer l'huile à l'intérieur du four. Afin de minimiser tout risques, il est important de ne pas dépasser la quantité d'huile recommandée dans les instructions ci-dessous (pas plus d'une fine couche d'huile) et de garder la porte du four complètement fermée. En cas d'étincelles ou de flammes à l'intérieur du four, ne vous alarmez pas, et maintenez la porte fermée jusqu'à ce le feu s'éteigne de lui-même. Une fois le feu éteint, vous pouvez poursuivre la suite des instructions.

1. Tournez la molette STYLE à 750°F (400°C) et laissez le four préchauffer.
2. Essuyez la poêle avec un essuie-tout ou un tissu.
3. Ajoutez au maximum ½ cuillerée de lard, d'huile végétale ou huile de lin (pas d'huile d'olive) sur l'essuie-tout et enduisez d'une mince couche d'huile les parois internes de la poêle et le support de la poignée.
4. Déposez la poêle à pizza sur la sole active dans le four préchauffé. Le voyant AT TEMP. cessera de clignoter et restera allumé durant 10 minutes.
5. Retirez la poêle avec précaution et déposez-la sur une surface à l'épreuve de la chaleur.
6. Ajoutez une autre ½ c. à thé de lard, d'huile végétale ou d'huile de lin (pas d'huile d'olive) sur l'essuie-tout et enduisez d'une mince couche d'huile les parois internes de la poêle.
7. Insérez la poêle dans le four préchauffé à 750°F (400°C) 10 minutes additionnelles.
8. Répétez les étapes 3 à 7 une deuxième fois.

Votre poêle est maintenant prête à être utilisée. Nous vous recommandons d'huiler la poêle régulièrement afin de prolonger sa durée de vie.

Nettoyer la poêle à pizza

Sur une base régulière, nous vous recommandons de laver la poêle à la main à l'aide d'un savon doux et de l'eau tiède, si nécessaire. Séchez la poêle soigneusement et huilez-la en suivant les instructions en page 32.



AVERTISSEMENT

Ne mettez jamais la poêle à pizza dans le lave-vaisselle.

Ranger le four à pizza

1. Assurez-vous que le four et ses accessoires sont refroidis, propre et secs.
2. Assurez-vous que la sole active (pierre à pizza) est insérée dans le four.
3. Fermez bien la porte du four.
4. Rangez l'appareil à la verticale sur ses pattes. Ne pas ranger la poêle ou tout autre objet sur le dessus du four, les seules exceptions étant la palette à pizza et la planche à découper en bambou de Breville (optionnel).



Guide de dépannage

PROBLÈME POSSIBLE	SOLUTION FACILE
Le four ne démarre pas	<ul style="list-style-type: none">• Vérifiez si le cordon d'alimentation est bien inséré dans la prise électrique.• Insérez la fiche d'alimentation dans une prise indépendante.• Insérez la fiche d'alimentation dans une autre prise.• Réinitialisez le disjoncteur, si nécessaire.
Le voyant AT TEMP clignote	<ul style="list-style-type: none">• Cela indique que le four est en deçà de la température de cuisson. Attendez que le voyant AT TEMP reste allumé avant d'insérer votre pizza dans le four.
De la vapeur s'échappe de la porte du four	<ul style="list-style-type: none">• Ceci est normal. La porte est ventilée pour laisser échapper la vapeur qui rendrait autrement les aliments détrempés.
Les éléments chauffants semblent clignoter, d'autres semblent éteints	<ul style="list-style-type: none">• Element IQ® contrôle avec précision la chaleur à l'intérieur du four en acheminant des jets de chaleur et ajustant le niveau de puissance dans les éléments chauffants pour assurer un contrôle précis de la température. Cela est normal.
Un bruit provient du four après l'avoir éteint	<ul style="list-style-type: none">• Durant la cuisson, les ventilateurs s'activent pour protéger les composants électroniques délicats contre la surchauffe. En raison des températures extrêmement hautes dans le four, ces ventilateurs continuent de fonctionner après la cuisson, jusqu'à ce que la température soit assez basse pour les composants. Ne débranchez pas le four avant que les ventilateurs soient éteints.
De la fumée s'échappe du four	<ul style="list-style-type: none">• Ceci est normal en raison des températures extrêmement hautes dans le four. Pour réduire la fumée, essayez de limiter la quantité de farine/semoule utilisée sur la palette. Il est recommandé de faire fonctionner le four dans un endroit bien ventilé.
Il y a du feu dans le four	<ul style="list-style-type: none">• Ne vous alarmez pas. Fermez la porte, si elle est encore ouverte. Si le feu de s'éteint pas dans 20 secondes, débranchez le four et gardez la porte fermée jusqu'à ce qu'il n'y a plus de feu.



Notes

Breville Consumer Support

USA

Mail: Breville USA
19400 S. Western Ave
Torrance CA
90501-1119

Phone: 1-866-273-8455
1-866-BREVILLE

Web: www.brevilleusa.com

Canada

Mail: Breville Canada
3595 boulevard Côte-Vertu,
Saint-Laurent, Québec
H4R 1R2

Phone: 1-855-683-3535

Web: www.breville.ca

Breville®

Breville is a registered trademark of Breville Pty. Ltd. A.B.N. 98 000 092 928.
Copyright Breville Pty. Ltd. 2018.

Due to continued product improvement, the products illustrated/photographed
in this booklet may vary slightly from the actual product.