



## HA4005 CVAP® HOLDING CABINET

### EXCLUSIVE TECHNOLOGY

Exclusive Controlled Vapor technology (U.S. patent # 5,494,690) establishes that the water vapor content in the cabinet is the same as that of the food. This unique process controls moisture evaporation and saturation, so crisp foods stay crisp, and moist foods stay moist.

### EASY-TO-USE CONTROLS

Electronic differential controls are easy to understand and reliable. Never requires field calibration.

FOOD TEMP DIAL allows precise control of food temperature from 90 to 180° F (32 to 82° C).

FOOD TEXTURE DIAL maintains just-cooked texture.

### DURABLE

Built to last with quality craftsmanship, high grade stainless steel construction and full insulation on top, sides and doors.

### BETTER CONTROL OF FOOD QUALITY

Features full perimeter door gaskets, magnetic door latches, lift-off doors, removable side racks and digital readout for water and air temperature.

### INDUSTRY COMPLIANT

CVap equipment complies with domestic and international requirements such as UL, C-UL, UL Sanitation, CE, MEA, and others.



**HA4005  
CVAP® HOLDING CABINET**  
**HALF SIZE, UNDER COUNTER MODEL,  
FANLESS**  
Electronic Differential Control

*CVap® Holding Cabinets are designed for high quality holding of a wide variety of menu items for extended times. They can be used for proofing, holding, and serving.*



WINSTON INDUSTRIES, LLC.  
2345 Carton Drive | Louisville, KY 40299 USA | [www.winstonindustries.com](http://www.winstonindustries.com)  
Phone: 1.800.234.5286 | 1.502.495.5400 | Fax: 1.502.495.5458  
Specifications subject to change without notice.

JOB

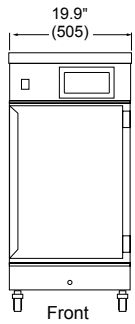
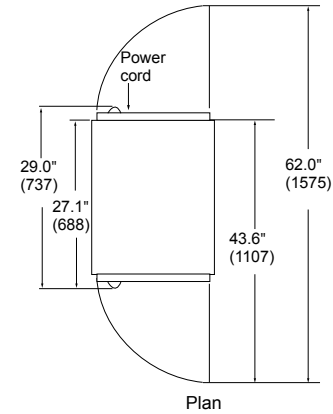
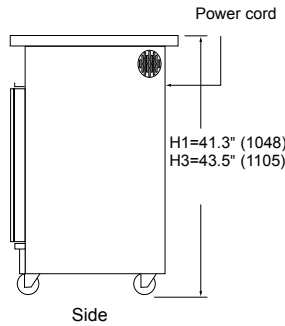
ITEM#



## HA4005 CVAP HOLDING CABINET

### HALF SIZE MODEL, FANLESS

Electronic differential control



DRAWINGS NOT TO SCALE

capacity	size in (mm)	volts	hertz	ph	amps	watts	nema	ship wt. lb (kg)	ship cube
8 HSP 8 STP	H1= 41.3" (1048) H3= 43.5" (1105) W= 19.9" (505) D= 27.1" (688) DP= 29.0" (737)	120	60	1	14.8	1775	US 5-15P	215 (98)	call factory
							INTERNATIONAL NOT AVAILABLE FOR INTERNA- TIONAL MARKET AT THIS TIME		

HSP= Half sheet pan (18" x 13" x 1.25") • STP= Steam table pan (12" x 20" x 2.5") • H1= Height w/1" wheels • H3= Height w/3" casters • DP= Depth w/pass thru

### SHORT FORM SPECS

Shall be Winston CVap Holding Cabinet, model HA4005 with electronic B-Series differential control to provide precise food temperature from 90 to 180° F (32 to 82° C) and maintain food texture. Utilizes Controlled Vapor Technology (patent #5,494,690) as a method and apparatus for holding hot foods, consisting of an air heater and water heater to establish ideal water vapor content that is in relation with the moistness characteristics for the food. Uniflo airflow design provides even heat distribution.

### CONSTRUCTION

**MATERIALS:** To be commercial and institutional grade stainless steel to provide ease of cleaning and long service life with reasonable use and care.

**RACK SUPPORTS:** Hold 8 half sheet pans or 8 steam table pans. Removable for easy cleaning.

**DOORS:** Field reversible hinges to allow door lift off to facilitate cleaning. Magnetic door handle.

**CASTERS:** Includes 2 locking, 2 non-locking, heavy duty, non-marking. (Optional 1.5" (38 mm) wheels do not swivel.)

**INSULATION:** Full-perimeter.

**CONTROLLER:** Electronic differential control with dials labeled Food Temp and Food Texture.

**WATER FILL:** Operated manually. Low mineral potable water is recommended, otherwise use deionizer / demineralizer to minimize corrosive damage.

**VENTILATION:** Allow 2" (51 mm) clearance on sides, particularly around ventilation holes. Install with supplied wheels or casters. Refer to owner's manual for specific installation instructions. Generally this equipment doesn't need to be installed under a mechanical ventilation system (vent hood). Check local health and fire codes for requirements specific to your location.

**ELECTRICAL:** Supplied with 84" (2134 mm) (minimum) power cord and plug.

**LOAD LIMIT:** 85 lbs. (29.25 kg) per rack.

### WARRANTY:

Limited 1 year warranty (excluding gaskets, lamps, hoses, power cords, glass panels, and evaporators). Warranty disclaimer for failure to clean. Ask for complete warranty disclosure.

### SPECIFY THE FOLLOWING WHEN ORDERING:

#### STANDARD (NO ADDITIONAL COST):

- Hinge preference: Left or right.
- Wheel/Caster/Leg preference: 3" (76 mm) casters, 4" (102 mm) legs, or 6" (152 mm) legs.

#### OPTIONAL (ADDITIONAL COST):

- Casters: 5" (127 mm) casters.
- Window: Window in door.
- Pass thru: Second door on back of cabinet.
- Pass thru/Window: Second door on back of cabinet, windows in all doors.
- Solid rack supports: Solid stainless steel rack supports (replaces standard wire rack supports).
- Automatic water fill system.
- Extended Warranty: Adds parts and labor warranty coverage for one additional year.
- Any added options or accessories.

#### ACCESSORIES & SUPPLIES (ADDITIONAL COST)

PS2428	Stack kit w/air space, heavy duty
PS2696	Mobile water removal system
PS2882	Control cover, B-Series
PS2980/1	Additional rack supports, wire, stainless (2)
PS2980/28	Additional rack supports, wire, stainless (28)

BUY WINSTON SERVICE PARTS, ACCESSORIES,  
AND SUPPLIES ONLINE!  
FACTORY DIRECT AT [WWW.WINSTONINDUSTRIES.COM](http://WWW.WINSTONINDUSTRIES.COM)



WINSTON INDUSTRIES, LLC.  
2345 Carton Drive | Louisville, KY 40299 USA  
Phone: 1.800.234.5286 | 1.502.495.5400 | Fax: 1.502.495.5458 | [www.winstonindustries.com](http://www.winstonindustries.com)  
Specifications subject to change without notice.

Copyright © 2012 | Printed in USA.

DOC070202A rev14 | nr 3.14.14