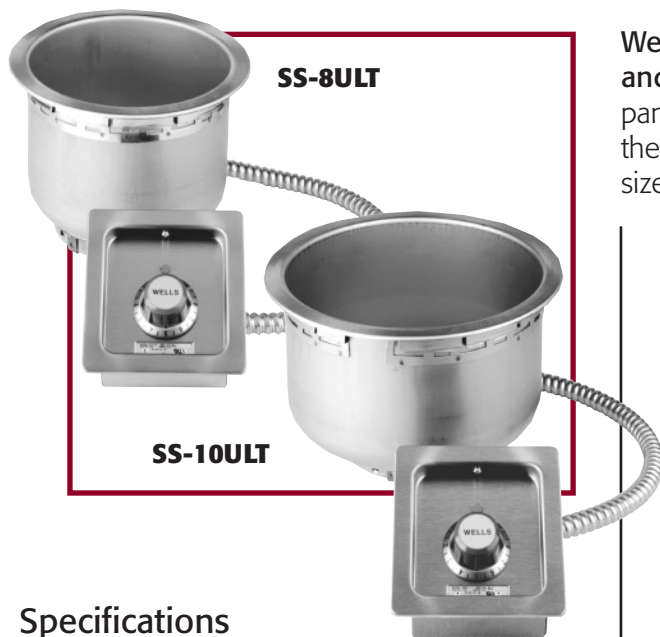


SS-4ULT, SS-8ULT AND SS-10ULT BUILT-IN ROUND FOOD WARMERS

SS-4ULT, SS-8ULT AND SS-10ULT BUILT-IN ROUND FOOD WARMERS



Wells Built-In Round Food Warmers SS-4ULT, SS-8ULT and SS-10ULT have a deep drawn, stainless steel warming pan making these warmers some of the most durable in the industry. These practical warmers come in a variety of sizes to fit your needs.

Features

- **The tubular element**, located under the warming pan, allows for quick and efficient heating.
- **The positive-off thermostat (T)** controls the element allowing for adjustable temperatures. A red light indicates that the heating element is energized.
- **Wellslok** allows for quick and easy installation in a variety of countertop materials.
- **Optional 1/2" drain (D)**, located in the center of the unit, is available for all models.
- **Controls** are recessed in a one-piece, drawn, front-mounted panel.
- Designed for **wet or dry operation**.
- **Does not require additional agency evaluations after installation.**
- **The SS-4ULT, SS-8ULT and SS-10ULT Warmers** are Underwriters Laboratories, Inc. LISTED and meet the National Sanitation Foundation and Canadian standards.
- **A one-year warranty** against defects covers parts and labor.

Specifications

Overall Dimensions:	Inches	MM
Diameter		
SS-4 series	8 1/4	210
SS-8 series	10 1/16	256
SS-10 series	12	305
Height		
SS-4 series	9 1/4	235
SS-8 series	8 3/8	213
SS-10 series	8 3/8	213

Temperature Settings: OFF/LO to HI

Weights:	Lbs.	KG
SS-4 series		
Installed	4	2
Shipping	5	2
SS-8 series		
Installed	5	2
Shipping	6	2
SS-10 series		
Installed	6	3
Shipping	7	3

Export

The following models are available for export and meet the standards for CE:

- SS-4EUT/SS-4EUTD, 220-240V, 1Ø, 825 watts
- SS-8EUT/SS-8EUTD, 220-240V, 1Ø, 825 watts
- SS-10EUT/SS-10EUTD, 220-240V, 1Ø, 825 watts

Accessories / Options

Wellslok Extension Kit, designed for countertops up to 1" thick, refer to installation instructions, 22592

Drain Valve Extension Kit, extension from drain to counter front with remote handle, for use with "D" models only, 20385

Adapter Top, to convert SS-8ULT to hold one 4-quart inset, 20177

Adapter Top, to convert SS-10ULT to hold one 4-quart inset, 20822

Adapter Top, to convert SS-10ULT to hold one 7-quart inset, 20175

Inset, 4-quart capacity with lid, 20774

Inset, 7-quart capacity with lid, 20587

Inset, 11-quart capacity with hinged lid, 21057

Optional Drain (D) is available





LISTED
E6070



STD.4



LISTED
E6070



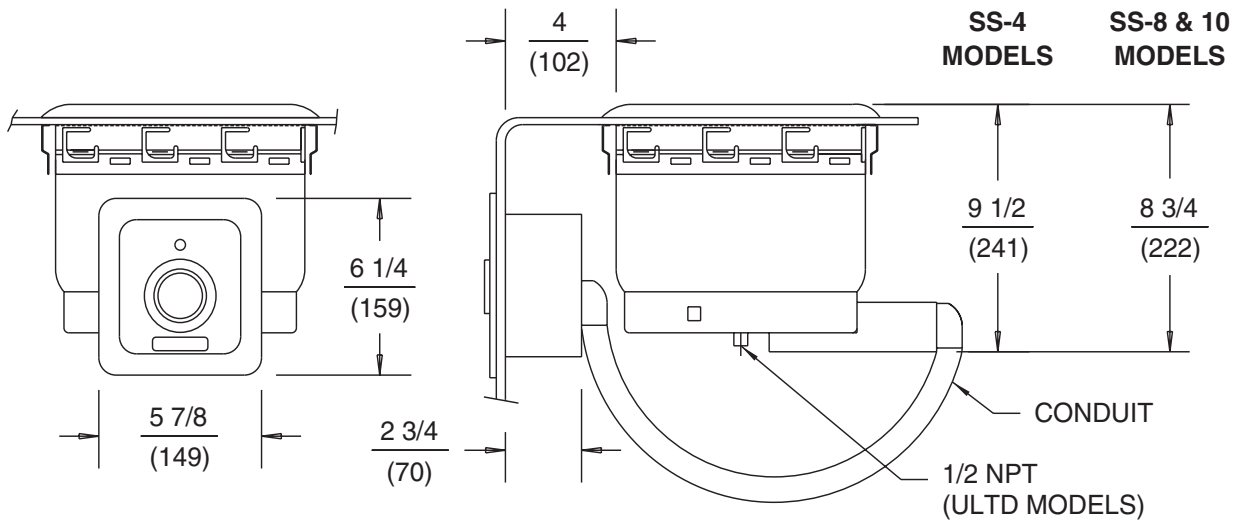
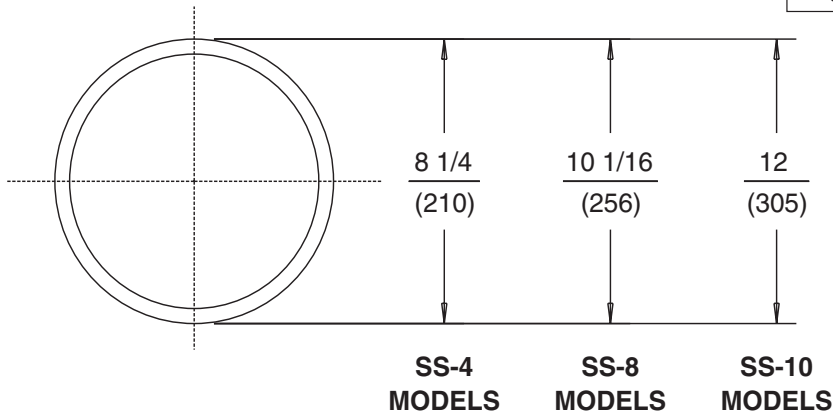
EXPORT
MODELS
ONLY

MODELS SS-4ULT/D, SS-4EUT/D, SS-8ULT/D SS-8EUT/D, SS-10ULT/D, SS-10EUT/D BUILT-IN ROUND FOOD WARMERS

DIMENSIONS: INCH
(MM)

MINIMUM CLEARANCE REQUIRED FROM UNIT
TO THE NEAREST COMBUSTIBLE OBJECT.

BACK	SIDE	BOTTOM	TOP
$\frac{1}{1}$	$\frac{1}{1}$	$\frac{8}{8}$	$\frac{4}{4}$
(25)	(25)	(203)	(102)



SS-4ULT, SS-8ULT, SS-10ULT SERIES ELECTRICAL SPECIFICATIONS:

MODELS	VOLTS	WATTS	AMPS	PHASE	POWER SUPPLY CORD
SS-4,8,10ULT	120	825	6.9	SINGLE	NONE
SS-4,8,10ULT	208	620	3.0	SINGLE	NONE
SS-4,8,10ULT	240	825	3.4	SINGLE	NONE
SS-4,8,10EUT	220-240	825	3.4	SINGLE	NONE

All models with a 'D' suffix have the same electrical specs as the standard models.

Denotes export (EU) products

NOTE: Specifications are subject to change without notice. See installation instructions prior to installing the unit. This document is not for installation purposes.

WELLS MANUFACTURING COMPANY

2 ERIK CIRCLE, PO BOX 280, VERDI, NV 89439 U.S.A. • USA PHONE: (775) 689-5700 • FAX: (775) 689-5972

FOR ORDERS ONLY: (888) 356-5362 • FAX: (800) 356-5142 • www.wellsbloomfield.com

A SPECIALTY EQUIPMENT COMPANY • 2000 WELLS MANUFACTURING • PRINTED IN THE U.S.A. • 10/00 • REV(I) • PART NO. 46221

