

LLSC-7 AND LLSC-11 SOUP COOKER/WARMER

LLSC-7 AND LLSC-11 SOUP COOKER/WARMER



Wells Round Countertop Soup Cooker / Warmer LLSC-7 and LLSC-11 will quickly heat refrigerated food and hold it at serving temperature. The anodized aluminum pot and band-heating element provide efficient heat distribution. The compact design is sure to save counter space.

Features

- **High wattage** for rapid heating of refrigerated food.
- **Fully insulated** for maximum efficiency.
- **Anodized aluminum pot** is heated by a band element that is positioned around the food well and provides quick heat-up.
- **Warmer** easily adapts to a variety of inset sizes.
- **The LLSC-7 and LLSC-11 Warmers** are Underwriters Laboratories, Inc. LISTED and meet the National Sanitation Foundation and Canadian standards.
- **A one-year warranty** against defects covers parts and labor.

Specifications

Overall Dimensions:	Inches	MM
LLSC-7:		
Width	10 3/4	273
Depth	10 3/4	273
Height	8 5/8	219
LLSC-11:		
Width	12 5/8	321
Depth	12 5/8	321
Height	8 5/8	219
Temperature Range:	Fahrenheit	Celsius
LLSC-7, LLSC-11	90° to 210°	32° to 99°
Weights:	Lbs.	KG
LLSC-7:		
Installed	6	3
Shipping	8	4
LLSC-11:		
Installed	7	3
Shipping	10	5

Accessories / Options

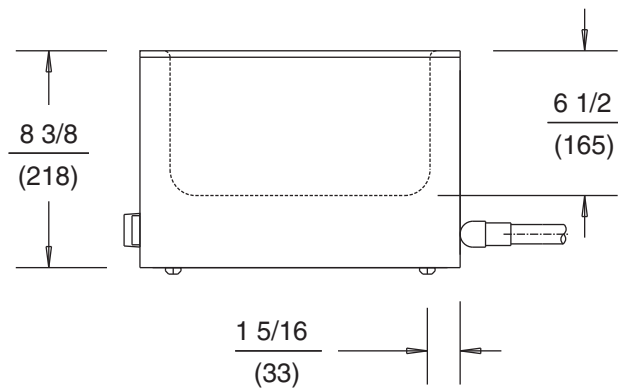
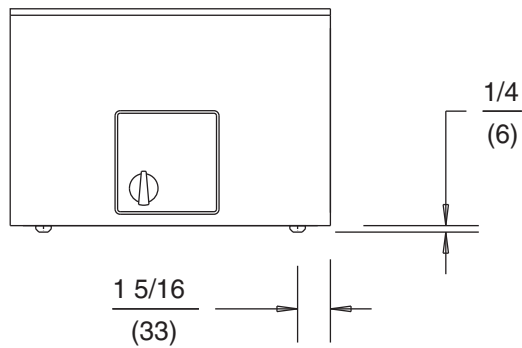
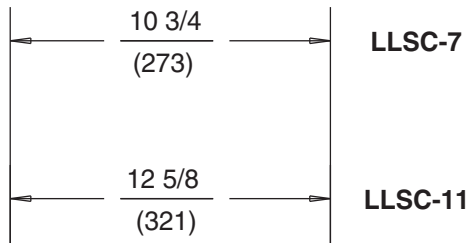
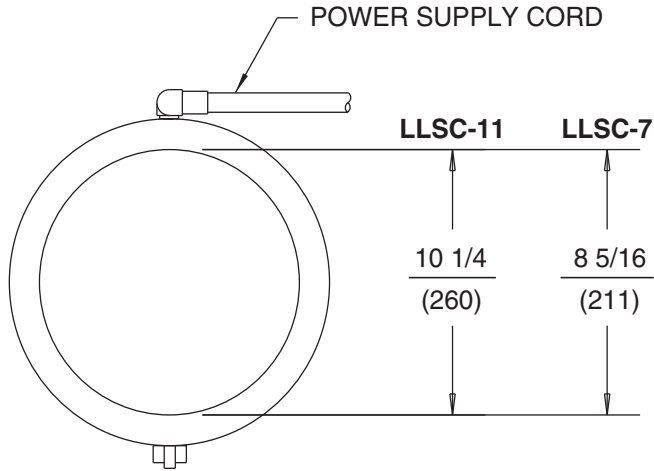
- **Adapter Top**, to convert LLSC-11 to hold 4-quart inset, 20822
- **Adapter Top**, to convert LLSC-11 to hold 7-quart inset, 20175
- **Adapter Top**, to convert LLSC-7 to hold 4-quart inset, 20177
- **Inset**, 4-quart capacity with lid, 20774
- **Inset**, 7-quart capacity with lid, 20587
- **Inset**, 11-quart capacity with lid, 20908





MODELS LLSC-7, LLSC-11 SOUP COOKER/WARMER

DIMENSIONS: $\frac{\text{INCH}}{\text{(MM)}}$



LLSC-7 AND LLSC-11 ELECTRICAL SPECIFICATIONS:

MODELS	VOLTS	WATTS	AMPS	PHASE	POWER SUPPLY CORD
LLSC-7	120	850	7.1	SINGLE	NEMA 5-15P
LLSC-11	120	1100	9.2	SINGLE	NEMA 5-15P

NOTE: Specifications are subject to change without notice.

