



# WWCM200

## Heavy-Duty Double Waffle Cone Maker



Heavy-Duty Double Waffle Cone Maker



### MAIN FEATURES

- Up to 120 waffle cones per hour
- Unique, space-saving vertical design with independent Ready lights
- Shares heating elements for maximum output while using less energy
- Heavy-duty die-cast housing
- Triple-coated nonstick plates allow easy removal of waffle cones and quick cleanup
- Audible beep signals when unit is ready and when waffle is cooked
- Power ON and Ready-to-Bake LED indicators
- Limited One-Year Warranty



### ELECTRICAL

Voltage: 120

Frequency: 60Hz

Watts: 1400

Amps: 11.6

Plug Type: NEMA 5-15P ⓘ

Cord Length: 3 feet



### SALES FEATURES

People love a freshly baked waffle cone. You can make over 120 per hour with the Waring® Double Waffle Cone Maker. Its unique, space-saving vertical design shares heating elements for maximum output while using less energy. This makes it perfect for ice cream parlors, cafes and concession stands. Includes a rolling and forming tool.



@waringcommercial

©2021 Waring Commercial  
314 Ella T. Grasso Avenue, Torrington, CT 06790  
Tel. 800-492-7464 • Fax 860-496-9008

waringcommercialproducts.com

WWCM200



# Heavy-Duty Double Waffle Cone Maker WWCM200

## PARTS & ACCESSORIES



**CAC121** Rolling and Forming Tool

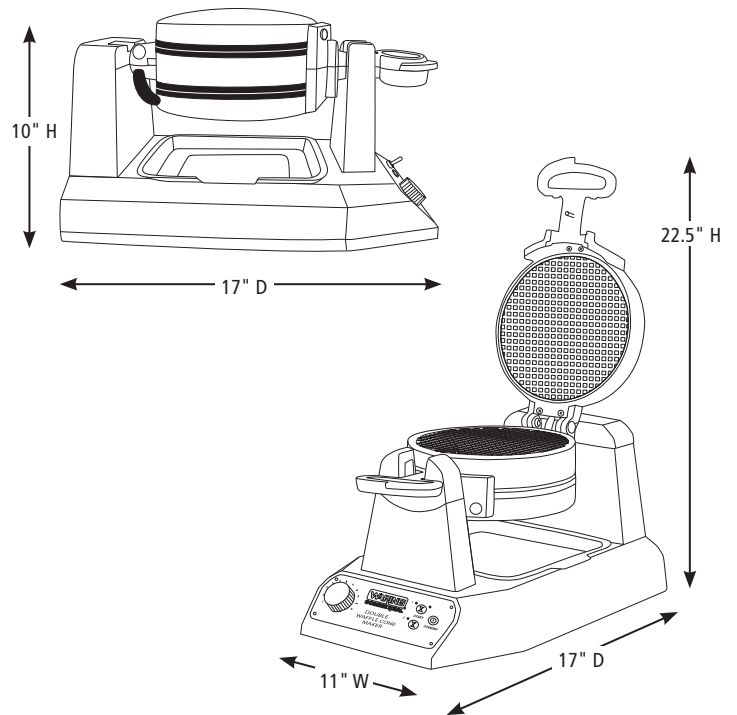
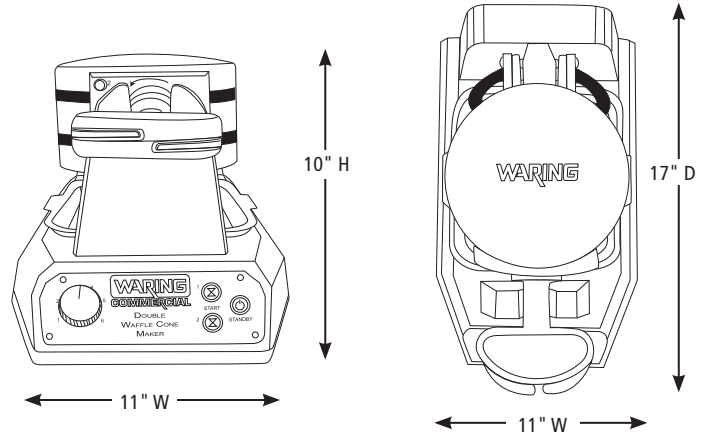


**CAC122** Waffle Bowl Forming Tool



**CAC121S** Small Rolling and Forming Tool

## DIMENSIONS



Out of Box Weight: 18 lb.

ORDERING INFORMATION	#STD. PKG.	GIFTBOX WEIGHT	CUBIC FEET	BOX DIMENSIONS D X W X H	UPC	CASE PKG.	MC WEIGHT	MC DIMENSIONS D X W X H	MBC
WWCM200– Heavy-Duty Double Waffle Cone Maker	1	24	1.691	18.625" x 12.375" x 11.25"	040072019906	1	24.05	19.25" x 13.25" x 12.125"	10040072019903



@waringcommercial

©2021 Waring Commercial  
314 Ella T. Grasso Avenue, Torrington, CT 06790  
Tel. 800-492-7464 • Fax 860-496-9008

waringcommercialproducts.com

21WC079457 / REV 05/21