



Outperform every day.™

Project:

Item Number:

Quantity:

ServeWell® Cold Food Table

The Vollrath Company, L.L.C.

SERVEWELL® COLD FOOD TABLE



DESCRIPTION

We build each ServeWell® unit with heavy-gauge stainless steel, and engineer the body, legs, and base for strength and durability. The complete line of ServeWell® food tables is designed to eliminate the frustrations you have had with traditional food service units.

Vollrath offers the first truly innovative design in value-priced mobile serving equipment.

The insulated cold pan well provides adequate depth for sufficient ice capacity to enable short-term holding of full or fractional size pans, insets, crocks and bain maries.

FEATURES

- Stainless steel top, wrapper, uprights, undershelf, and stainless steel ice pan.
- Well insulated with EPS foam material.
- Pitched to a 1" (3 cm) drain and plug.
- Standard stationary legs are 6" (15.2cm) high with 1" (2.5 cm) adjustment.
- Optional non-marking castors are 4" (10.2 cm) diameter, NSF approved swivel type, two with brakes.

NOTE: ServeWell® Hot Food Table orders cannot be canceled or returned.

WARRANTY

All models shown come with Vollrath's standard warranty against defects in materials and workmanship. For full warranty details, please refer to www.Vollrath.com.

Agency Listings



Due to continued product improvement, please consult www.vollrath.com for current product specifications.

ITEMS

Item No.	Description
38012	Two Pan Well
38013	Three Pan Well
38014	Four Pan Well
38015	Five Pan Well

OPTIONS AND ACCESSORIES Dimensions in inches (cm)

Work/Overshelf w/o Acrylic Panel Double-Deck Overshelf



Item	Length x Width x Height
□ 38042	32 x 10 x 13 (81.3 x 25.4 x 33)
□ 38043	46 x 10 x 13 (116.8 x 25.4 x 33)
□ 38044	60 ¹ / ₁₆ x 10 x 13 (155.6 x 25.4 x 33)
□ 38045	76 x 10 x 13 (193 x 25.4 x 33)

w/o Acrylic Panel (Not pictured)

Item	Length x Width x Height
□ 38032	32 x 10 x 26 (81.3 x 25.4 x 66)
□ 38033	46 x 10 x 26 (116.8 x 25.4 x 66)
□ 38034	60 ¹ / ₁₆ x 10 x 26 (155.6 x 25.4 x 66)
□ 38035	76 x 10 x 26 (193 x 25.4 x 66)

Single Deck Cafeteria Guard



Item	Length x Width x Height
□ 38052	32 x 10 x 13 (81.3 x 25.4 x 33)
□ 38053	46 x 10 x 13 (116.8 x 25.4 x 33)
□ 38054	60 ¹ / ₁₆ x 10 x 13 (155.6 x 25.4 x 33)
□ 38055	76 x 10 x 13 (193 x 25.4 x 33)

Buffet Breath Guards



4 holes per side for breath guard attachment.

Item	Length x Width x Height
□ 38062	32 x 35 ⁵ / ₈ x 23 ¹ / ₂ (81.2 x 89.8 x 59.7)
□ 38063	46 x 35 ⁵ / ₈ x 23 ¹ / ₂ (116.8 x 89.8 x 59.7)
□ 38064	60 ¹ / ₁₆ x 35 ⁵ / ₈ x 23 ¹ / ₂ (155.6 x 89.8 x 59.7)
□ 38065	76 x 35 ⁵ / ₈ x 23 ¹ / ₂ (193 x 89.8 x 59.7)

Operator Side Poly Cutting Board



Item	Length x Width x Height
□ 38072	32 x 8 x 1 (81.3 x 20.3 x 2.5)
□ 38073	46 x 8 x 1 (116.8 x 20.3 x 2.5)
□ 38074	60 ¹ / ₁₆ x 8 x 1 (155.6 x 20.3 x 2.5)
□ 38075	76 x 8 x 1 (193 x 20.3 x 2.5)

Customer Side Plate Rest



Item	Length x Width x Height
□ 38092	32 x 8 x 1 (81.3 x 20.3 x 2.5)
□ 38093	46 x 8 x 1 (116.8 x 20.3 x 2.5)
□ 38094	60 ¹ / ₁₆ x 8 x 1 (155.6 x 20.3 x 2.5)
□ 38095	76 x 8 x 1 (193 x 20.3 x 2.5)

Caster Set



Item	Description
□ 38099	4" (10.2 cm) swivel wheels, two with brakes
□ 3809934	4" (10.2 cm) swivel wheels, two with brakes, ADA height



Outperform every day.™

www.vollrath.com

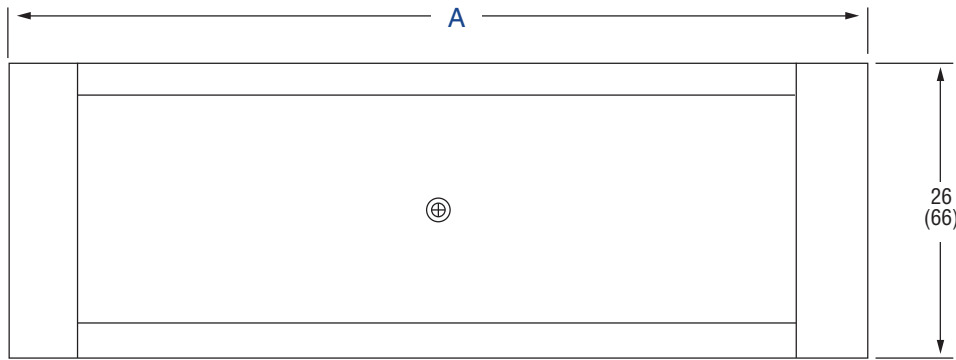
The Vollrath Company, L.L.C.

1236 North 18th Street
Sheboygan, WI 53081-3201 U.S.A.
Main Tel: 800.624.2051 or 920.457.4851
Main Fax: 800.752.5620 or 920.459.6573
Customer Service: 800.628.0830
Canada Customer Service: 800.695.8560

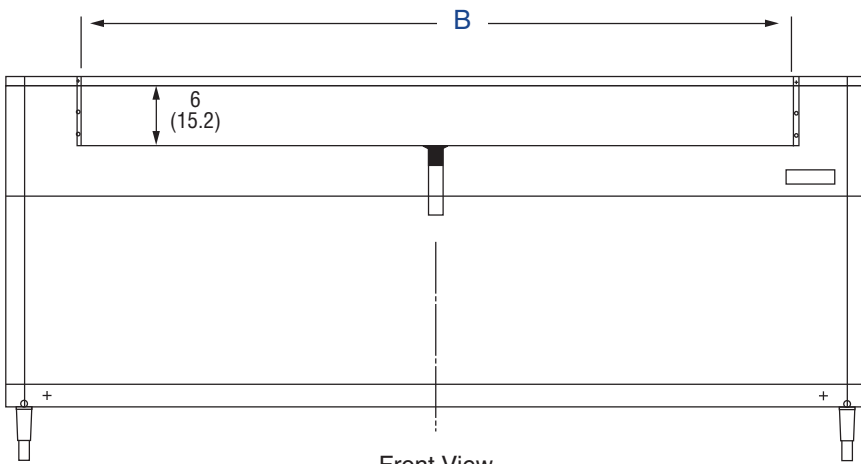
Technical Services
techservicereps@vollrathco.com
Induction Products: 800.825.6036
Countertop Warming Products: 800.354.1970
All Other Products: 800.628.0832

SERVEWELL® COLD FOOD TABLE

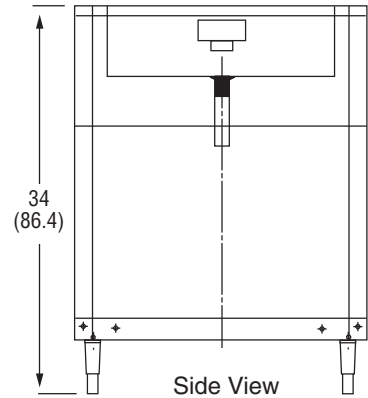
DIMENSIONS (Shown in inches (cm))



Top View



Front View



Side View

SPECIFICATIONS

Item No.	Description	(A) Overall Length IN (CM)	(B) Well Length IN (CM)
38012	Two Pan Well	31 ³ / ₈ (79.7)	24 ³ / ₄ (63)
38013	Three Pan Well	46 (116.8)	37 ¹ / ₂ (95)
38014	Four Pan Well	60 ¹¹ / ₁₆ (154.1)	50 ¹ / ₄ (128)
38015	Five Pan Well	75 ⁵ / ₁₆ (191.3)	63 (160)



Outperform every day.™

www.vollrath.com

The Vollrath Company, L.L.C.

1236 North 18th Street
 Sheboygan, WI 53081-3201 U.S.A.
 Main Tel: 800.624.2051 or 920.457.4851
 Main Fax: 800.752.5620 or 920.459.6573
 Customer Service: 800.628.0830
 Canada Customer Service: 800.695.8560

Technical Services
techservicereps@vollrathco.com
 Induction Products: 800.825.6036
 Countertop Warming Products: 800.354.1970
 All Other Products: 800.628.0832