

Champion®

The Dishwashing Machine Specialists

Project _____
 Item No. _____
 Quantity _____

UH330 ADA UNDERCOUNTER

STANDARD FEATURES

- **Cleans and Sanitizes up to 1,500 Chips per hour**
- **Rinse Sentry – ensures 180°F/ 82°C final rinse for sanitized wares**
- Space saving 29-7/8" height – fits easily under the thickest countertops – allowing for 34" ADA requirements
- 12" internal clearance
- Heat recovery: Cold water feed only! Up to 50% more energy efficient! Quicker drying of wares! Condensation is removed! Reduced operating costs!
- "Dry Assist" provides improved and quicker drying of wares.
- "Multi-cycle," 3 cycle time options for enhanced cleaning
- Insulated panels and booster
- Precise digital temperature display and control
- ENERGY STAR® Qualified
- Independent stainless steel upper and lower wash and rinse arms
- Liquid detergent and rinse-aid pumps
- 1 HP corrosion resistant pump
- Advanced service diagnostics
- Pumped drain
- Automatic drain cycle



UH330 ADA CASINO

CHIPS AND DICE SANITIZER

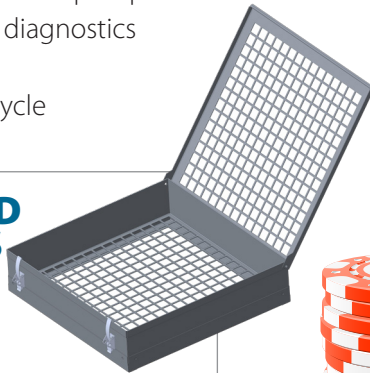
Undercounter High Temperature Dishwashing Machine with Built-in Booster Heater



29-7/8" Height



2 STANDARD CHIP RACKS INCLUDED



MODEL DESCRIPTION

This product has been engineered and designed specifically for the gaming industry to effectively wash and sanitize chips, dice, and other reusable items that come in contact with the general public.

1 year parts and warranty.

OPTIONS & ACCESSORIES

- 17" Stand** Stainless Steel
- 4" Stand** (converts to a standard counter height)
- 6" Leg Stand**
- 3 Phase Connection** (prewired at factory)
- Drain Water Tempering Kit** (unmounted)
- Power Cord Kit**
- NEW Champion ION scale prevention system**
- Chemical alarm kit** (mounted)
- Door interlock switch** (mounted)



Champion Industries, Inc.
 3765 Champion Blvd, Winston-Salem, NC 27105
 Tel: 336/661-1556 Fax: 336/661-1979
sales@championindustries.com
www.championindustries.com

2674 North Service Rd
 Jordan Station, Ontario, Canada L0R 1S0
 Tel: 800/263-5798 Fax: 905/562-5422
sales@moyerdiebellimited.com
www.championindustries.com/1canada

UH330 ADA CASINO

CHIPS AND DICE SANITIZER

Undercounter High Temperature Dishwashing Machine with Built-in Booster Heater

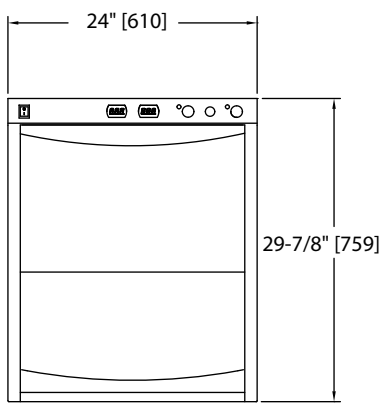


Champion[®]

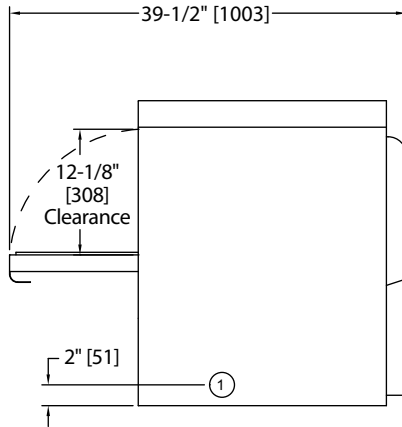
The Dishwashing Machine Specialists

Volume crated: **15 cu. ft./0.42 cu.m.**
 Shipping weight crated: **215 lbs./97.5 kg.**

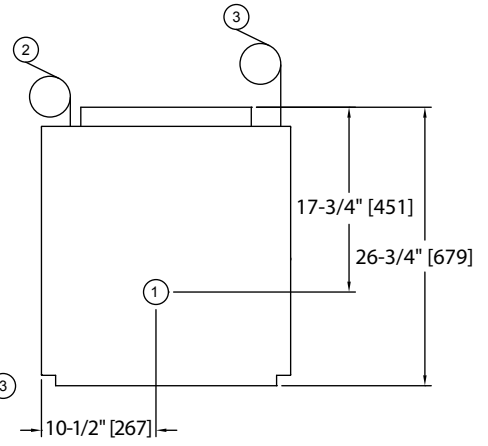
Dimensions shown in inches and [millimeters]



Front View



Side View



Plan View

Utilities

1 Electrical	208-240/60/1; 3 wire plus ground, (See Box). 208-240/60/3; 4 wire plus ground, (See Box). Field convertible to accept 3 phase power, see service manual for details
2 Cold Water	1/2" supply; 55-80°F [12-26°C] cold water; 25 PSI min. Machine equipped with 3/4" [19] hose connector.
3 Pumped Drain	5/8" [15.9] I.D. flexible reinforced hose, 6 ft. [1829] long. Max. drain flow 15 US gpm. [12.5 imp gal] Max. drain height 3 ft. [914]

UH330B with Booster

Elec. Specs.	Rated Amps	Minimum Supply Ckt. Conductor Ampacity	Maximum Overcurrent Protective Device
115/208/60/1	32	40	40
115/240/60/1	36	40	40
115/208/60/3	22	30	30
115/240/60/3	24	30	30

Field convertible to accept 3 phase power

Warning Plumbing and electrical connections should be made by qualified personnel who will observe all the applicable plumbing, sanitary and safety codes and the National Electrical Code.

Due to an ongoing value analysis program at Champion, specifications contained in this catalog are subject to change without notice.

Champion Industries, Inc.,
 3765 Champion Blvd., NC 27105 • 336/661-1556 • Fax: 336/661-1979
 2674 N. Service Rd, Jordan Station, Ontario, Canada L0R 1S0 • 800/263-5798 • Fax: 905/562-4618

ChampionIndustries.com • championindustries.com/1canada
 sales@moyerdiebellimited.com

SPECIFICATIONS

Capacities

Cycle time (seconds)	120/200/277
Racks per hr.	30/18/13

Motor horsepower

Wash	1
------	---

Water consumption

U.S. Gal. (max. use) per hr.	15.6/12.9
U.S. Gal. per rack	0.65/0.54

Temperatures °F/°C

Wash	150/66
Rinse	180/82

Heating

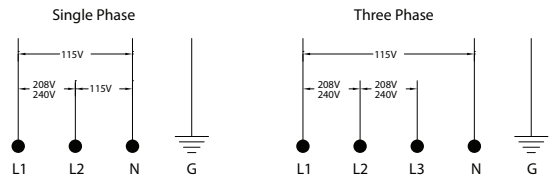
Tank heat, electric, kW	2.0
Electric booster, kW	5

Time Cycle in Seconds

Wash	45/120/197
Rinse	13
Heat recovery/condense	62

Standard 20" x 20" [508 x 508]

Rack Complement	
Chip and Dice Rack	2



an Ali Group Company

