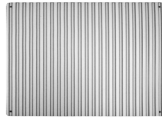




# THE Panini



i1-3221 Kit:



Panini Tray



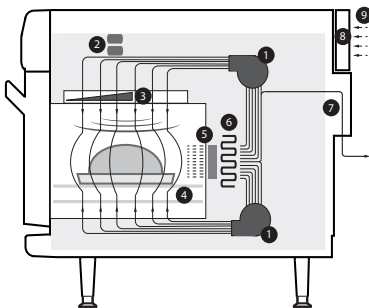
Panini Rack

## PERFORMANCE

By combining TurboChef's i-Series technology with the Panini tray, restaurants can rapidly toast, heat, and grill Panini sandwiches.

## VENTILATION

- UL® (KNLZ) listed for ventless operation.†
- EPA 202 test (8 hr):
  - Product: Pepperoni Pizzas
  - Results: 0.64 mg/m<sup>3</sup>
  - Ventless Requirement: <5.00 mg/m<sup>3</sup>
- Internal catalytic filtration to limit smoke, grease, and odor emissions.



1. Blower Motors
2. Microwave System
3. Stirred Impinged Air (Top) and Microwave
4. Impinged Air (Bottom)
5. Catalytic Converter
6. Impingement Heater
7. Vent Tube Catalyst
8. Air Filter
9. Inlet Air for Cooling Electronic Components

Project \_\_\_\_\_

Item No. \_\_\_\_\_

Quantity \_\_\_\_\_

## EXTERIOR CONSTRUCTION

- Powder coated (RAL-3020 - Traffic Red), corrosion-resistant steel outer wrap and door
- Die-cast aluminum front panels with matte-chrome accents
- Cool-to-touch exterior; all surfaces below 50°C
- Ergonomic matte-chrome door handle
- 4-inch adjustable legs

## INTERIOR CONSTRUCTION

- 201/304 stainless steel
- Fully welded and insulated cook chamber
- Removable rack and lower jetplate

## STANDARD FEATURES

- Independently-controlled dual motors for vertically-recirculated air impingement
- Top-launched microwave system
- Stirrer to help ensure even distribution of air and microwave
- Integral recirculating catalytic converter for UL® (KNLZ) listed ventless operation
- External air filtration
- Vent catalyst to further limit emissions and odors
- LED timer counts down last 30 seconds of cook time
- Smart menu system capable of storing up to 256 recipes
- Flash firmware updates via smart card
- Single or dual-temperature interface
- Field-configurable for single or multiphase operation (requires service call)
- Self-diagnostics for monitoring oven components and performance
- Smart Voltage Sensor Technology\* (U.S. only)
- Includes plug and cord (6 ft. nominal)
- Warranty – 1 year parts and labor

## OPTIONAL FEATURE

- Custom RAL color exterior (standard color: RAL 3020 –Traffic Red)

## COMES WITH STANDARD ACCESSORIES

- 1 Bottle Oven Cleaner (103180)
- 1 Bottle Oven Guard (103181)
- 2 Trigger Sprayers (103182)
- 1 Aluminum Paddle (NGC-1478)
- 1 Panini Rack and Tray (i1-3221)



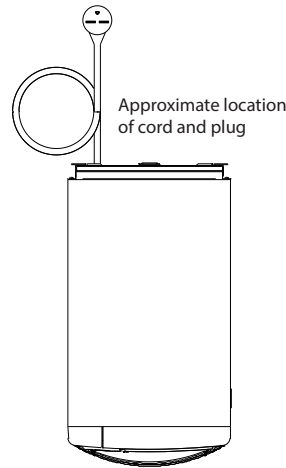
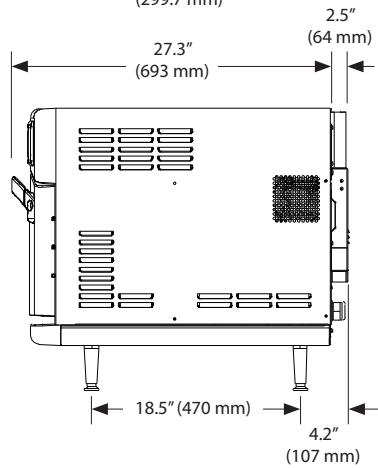
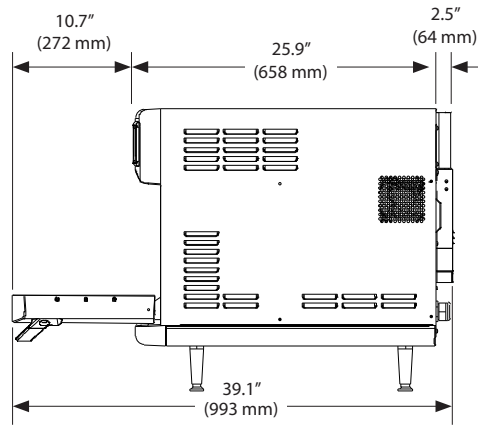
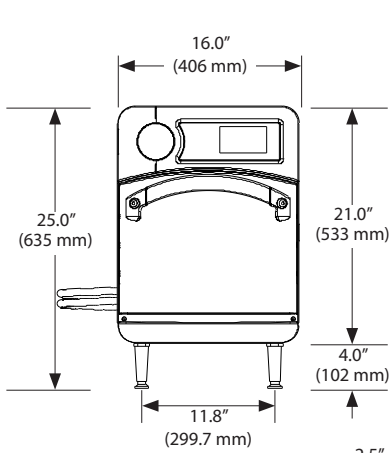
This product conforms to the ventilation recommendations set forth by NFPA96 using EPA202 test method.

\* Smart Voltage Sensor Technology does not compensate for lack of or over voltage situations. It is the responsibility of the owner to supply voltage to the unit according to the specifications on the back of this sheet.

† Ventless certification is for all food items except for foods classified as "fatty raw proteins." Such foods include bone-in, skin-on chicken, raw hamburger meat, raw bacon, raw sausage, steaks, etc. If cooking these types of foods, consult local HVAC codes and authorities to ensure compliance with ventilation requirements.

Ultimate ventless allowance is dependent upon AHJ approval, as some jurisdictions may not recognize the UL certification or application. If you have questions regarding ventless certifications or local codes, please email ventless.help@turbochef.com

TurboChef reserves the right to make substitutions of components or change specifications without prior notice.



- US, CAN, LA (NEMA 6-30P)
- UK, BK (IEC 309, 3-pin)
- JK (NEMA L6-50, PSE, 3-blade)
- JD (NEMA L6-50, PSE, 4-blade)
- ED, BD, SD (IEC 309, 4-pin)
- EW, KW (IEC 309, 5-pin)
- AU (Clipsal, 5-pin)

| DIMENSIONS  |             |             |
|---|-------------|-------------|
| Single Units  |             |             |
| Height  | 25.0"       | 635 mm      |
| Width   | 16.0"       | 406 mm      |
| Depth   | 29.8"       | 757 mm      |
| Weight  | 170 lb.     | 77.1 kg     |
| Cook Chamber  |             |             |
| Height  | 7.2"        | 183 mm      |
| Width   | 12.5"       | 317 mm      |
| Depth   | 10.5"       | 266 mm      |
| Volume  | 0.54 cu.ft. | 15.4 liters |
| Wall Clearance (Oven not intended for built-in installation)  |             |             |
| Top   | 5"          | 102 mm      |
| Sides   | 2"          | 51 mm       |
| SHIPPING INFORMATION  |             |             |
| U.S.: All ovens shipped within the U.S. are packaged in a double-wall corrugated box banded to a wooden skid.<br>International: All International ovens shipped via Air or Less than Container Loads are packaged in wooden crates. |             |             |
| Box size: 37" x 24" x 37" (940 mm x 610 mm x 940 mm)<br>Crate size: 38" x 26" x 38" (965 mm x 660 mm x 965 mm)<br>Item class: 110 NMFCC #26710 HS code 8419.81  |             |             |
| Approximate boxed weight: 205 lb. (93 kg)<br>Approximate crated weight: 275 lb. (125 kg)  |             |             |
| Minimum entry clearance required for box: 24.5" (622 mm)<br>Minimum entry clearance required for crate: 26.5" (673 mm)  |             |             |

| ELECTRICAL SPECIFICATIONS    |                |   |
|------------------------------|----------------|---|
| SINGLE PHASE                 |                |   |
| US/Canada                    | I1-9500-111-US | 208/240 VAC, 60 Hz, 30 amps<br>Max Input: 6.2 kW / MW: 3.2 kW / HTR: 6.0 kW |
| Europe (UK)                  | I1-9500-112-UK | 230 VAC, 50 Hz, 27 amps<br>Max Input: 6.2 kW / MW: 3.2 kW / HTR: 6.0 kW     |
| Brazil (BK)                  | I1-9500-116-BK | 220 VAC, 60 Hz, 28 amps<br>Max Input: 6.2 kW / MW: 3.2 kW / HTR: 6.0 kW     |
| Latin America (LA)           | I1-9500-117-LA | 220 VAC, 60 Hz, 28 amps<br>Max Input: 6.2 kW / MW: 3.2 kW / HTR: 6.0 kW     |
| Japan (JK)                   | I1-9500-118-JK | 200 VAC, 50 Hz, 30 amps<br>Max Input: 6.2 kW / MW: 3.2 kW / HTR: 6.0 kW     |
| Japan (JK)                   | I1-9500-120-JK | 200 VAC, 60 Hz, 30 amps<br>Max Input: 6.2 kW / MW: 3.2 kW / HTR: 6.0 kW     |
| MULTIPHASE                   |                |   |
| Europe Delta (ED)            | I1-9500-113-ED | 230 VAC, 50 Hz, 20 amps<br>Max Input: 6.2 kW / MW: 3.2 kW / HTR: 6.0 kW     |
| Europe Wye (EW)              | I1-9500-114-EW | 400 VAC, 50 Hz, 16 amps<br>Max Input: 6.2 kW / MW: 3.2 kW / HTR: 6.0 kW     |
| Australia Wye (AU)           | I1-9500-115-AU | 400 VAC, 50 Hz, 16 amps<br>Max Input: 6.2 kW / MW: 3.2 kW / HTR: 6.0 kW     |
| Japan Delta (JD)             | I1-9500-119-JD | 200 VAC, 50 Hz, 20 amps<br>Max Input: 6.2 kW / MW: 3.2 kW / HTR: 6.0 kW     |
| Japan Delta (JD)             | I1-9500-121-JD | 200 VAC, 60 Hz, 20 amps<br>Max Input: 6.2 kW / MW: 3.2 kW / HTR: 6.0 kW     |
| Korea/Middle East Wye (KW)   | I1-9500-122-KW | 400 VAC, 60 Hz, 16 amps<br>Max Input: 6.2 kW / MW: 3.2 kW / HTR: 6.0 kW     |
| Korea/Middle East Delta (SD) | I1-9500-123-SD | 230 VAC, 60 Hz, 20 amps<br>Max Input: 6.2 kW / MW: 3.2 kW / HTR: 6.0 kW     |