

## TempStar® with optional Ventless and Energy Recovery

Project \_\_\_\_\_  
 Item \_\_\_\_\_  
 Quantity \_\_\_\_\_  
 CSI Section 11400 \_\_\_\_\_  
 Approval \_\_\_\_\_  
 Date \_\_\_\_\_

TempStar® with optional Ventless and Energy Recovery

### Models

TempStar® VER     TempStar® HH-E VER



### Standard Features\*

- Ventless: Does not require a hood
- Energy Recovery
- Internal condensing system minimizes water vapor
- Sani-Sure™ feature ensures proper rinse water temperature
- Multi-cycle timer (Extra Heavy, Heavy, Medium, Normal)
- Specially designed stainless steel nozzles provide superior cleaning action
- Auto-fill/auto-start
- Door switch
- Built-in pressure regulator and door interlock are standard
- Delime/manual wash switch
- Hi-limit thermostat and low water protection
- Uses standard 20" X 20" (508 mm X 508 mm) racks
- Detergent/rinse additive signal connection fuse box
- Self-draining stainless steel pump
- Built-in 70° F (38.9° C) rise booster heater
- Field convertible from straight through to corner and vice versa

### Mandatory Specs

Specify:  
 Electric  
 Steam  
 Specify voltage \_\_\_\_\_  
 Specify booster size \_\_\_\_\_

### Options

- 480V Electrical
- Single Phase
- Drain Quench System
- Scaltrol
- Water Hammer Arrestor
- Flanged Feet
- False Panel
- Steam Booster Heater
- Security Package

### Accessories

- 36-Compartment Rack
  - 4-1/8" tall (105 mm)
  - 5-5/8" tall (143 mm)
  - 7" tall (178 mm)
- Combination Rack
- Peg Rack

### Specifications

TempStar uses 0.89 gallons (3 liters) of water per rack; TempStar HH-E uses 0.72 gallons (2.73 liters) of water per rack

TempStar (normal) cycle time - 87 seconds\*  
 TempStar HH-E (normal) cycle time - 90 seconds\*

TempStar - 39 racks per hour (normal cycle)\*  
 TempStar HH-E - 37 racks per hour (normal cycle)\*

Single point connections for all utilities

Cold water connection only\*

Durable stainless steel construction

TempStar - 17.25" (438 mm) door opening accepts 18" (457 mm) trays

TempStar HH-E - 20.75" wide x 27" high (527 mm x 686 mm) opening accommodates 18"x 26" (457 mm x 660 mm) sheet pans and 60-quart mixing bowls

TempStar is field phase convertible

TempStar ships fully assembled

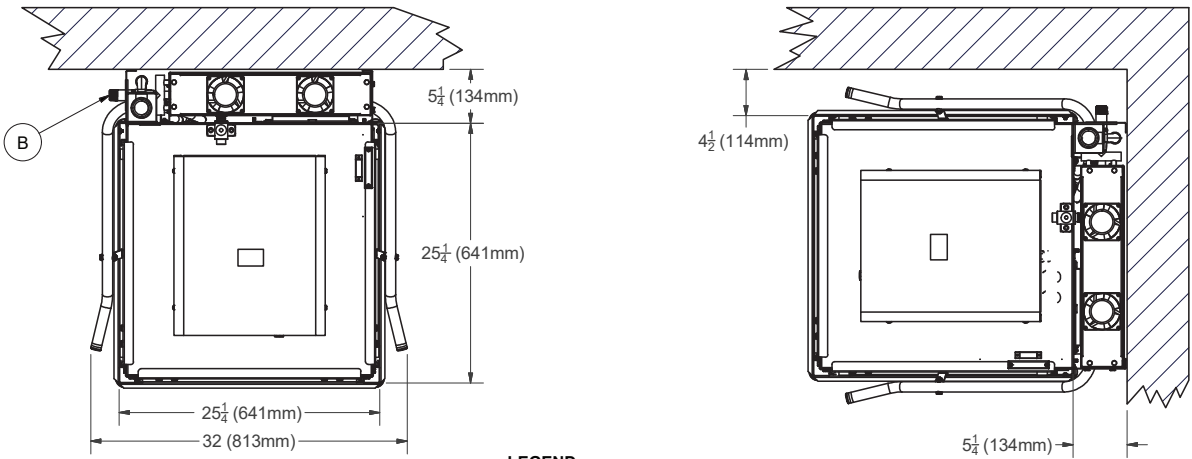
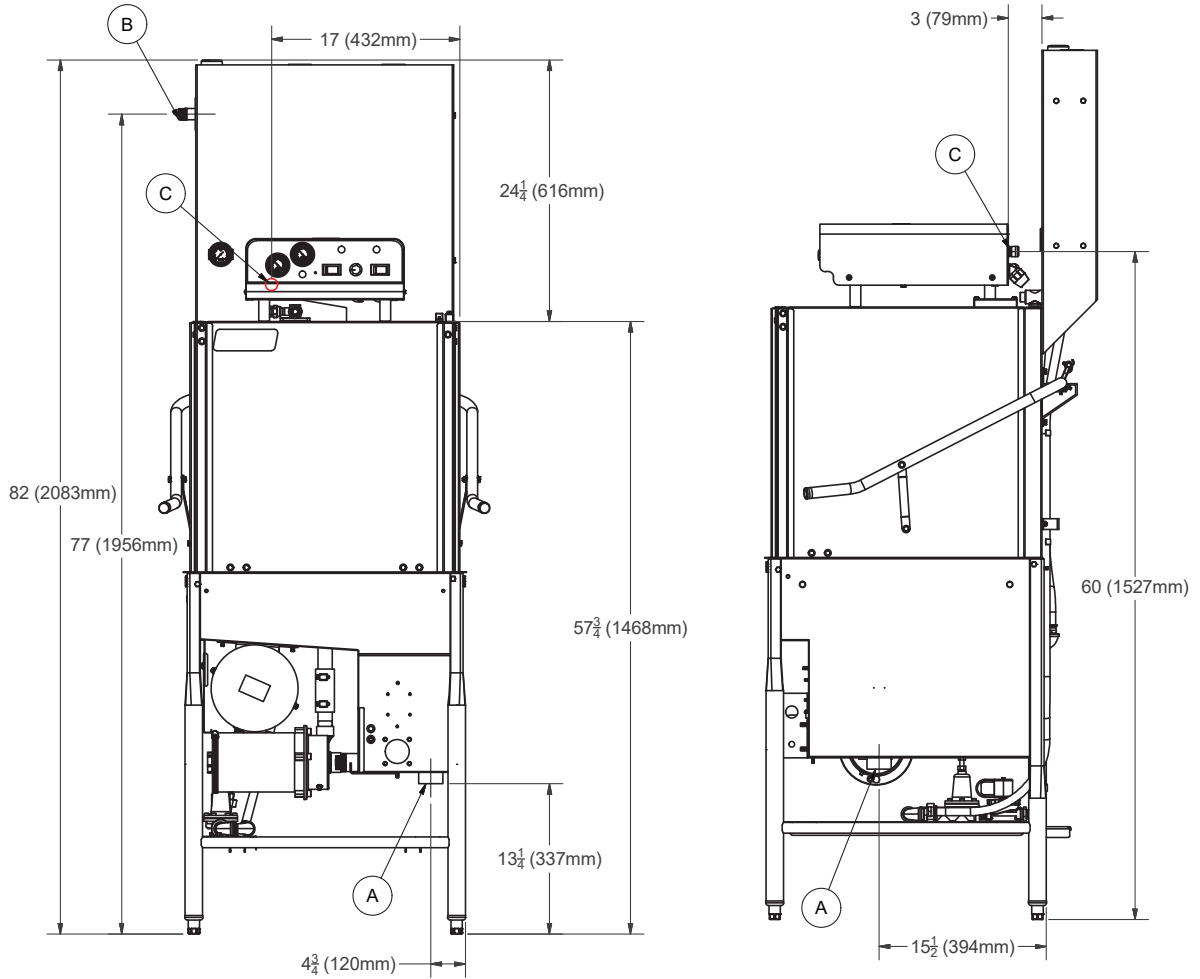


Intertek



\*Specs shown for TempStar / TempStar HH-E with optional Ventless and Energy Recovery

# TempStar



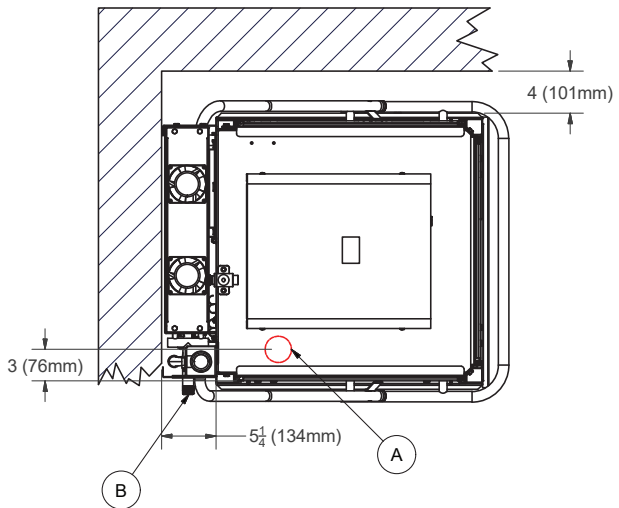
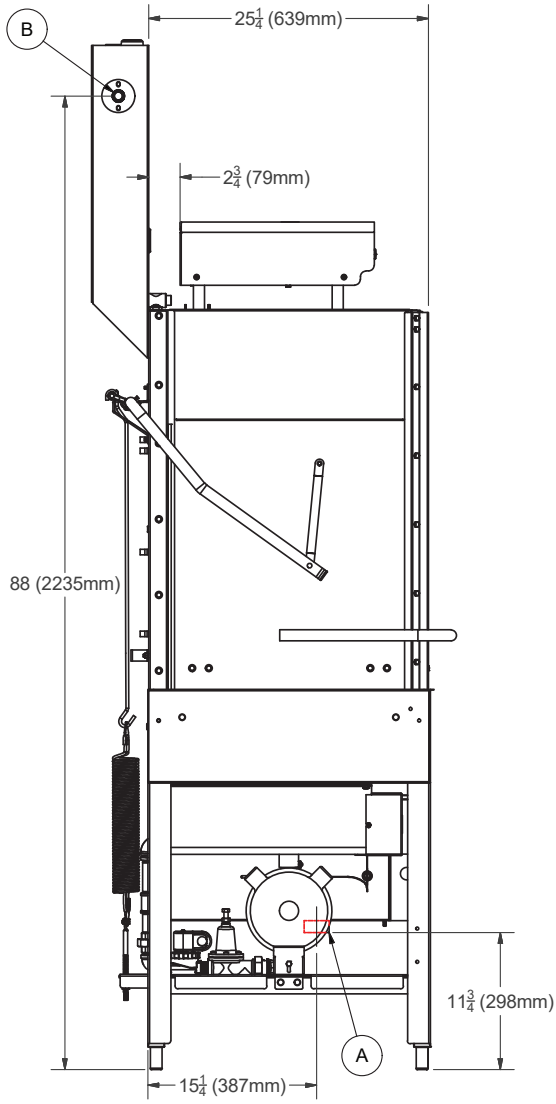
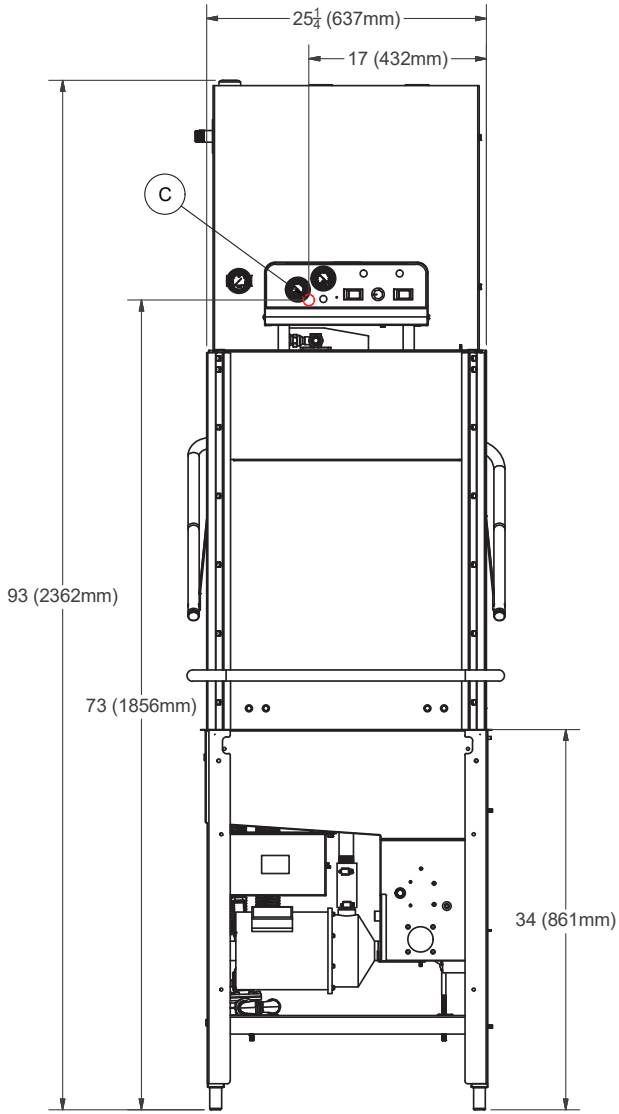
**LEGEND**

- A) DRAIN 1 $\frac{1}{2}$  IPS
- B) WATER INLET 3 $\frac{3}{4}$  MIP
- C) ELECTRICAL CONNECTIONS

All vertical dimensions are  $\pm 1/2"$  due to adjustable bullet feet

# TempStar HH-E

TempStar® with optional Ventless and Energy Recovery



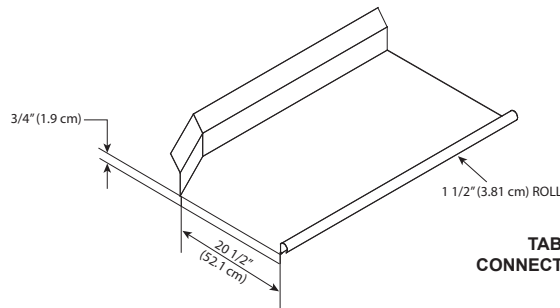
- LEGEND**  
 A) DRAIN 1 1/2 IPS  
 B) WATER INLET 1/2 MIP  
 C) ELECTRICAL CONNECTIONS

All vertical dimensions are ± 1/2" due to adjustable bullet feet



**Warewashing Systems**

TempStar® with optional Ventless and Energy Recovery



**TABLE DIMENSIONS CONNECTION TO DISHMACHINE**

MODEL NO.	MACHINE DIMENSIONS*				DRAIN HEIGHT	SHIPPING INFORMATION*					
	HEIGHT	WIDTH	DEPTH	DEPTH		WEIGHT	CLASS	CUBE	HEIGHT	WIDTH	DEPTH
TempStar*	82" (2083 mm)	25-1/4" (641 mm)	30-1/2" (775 mm)	30-1/2" (775 mm)	13-1/4" (337 mm)	358 lbs (163 kg)	200	87.79 cu. ft.	86" (2185 mm)	42" (1067 mm)	42" (1067 mm)
TempStar HH-E*	93" (2362 mm)	25-1/4" (641 mm)	30-1/2" (775 mm)	30-1/2" (775 mm)	11-3/4" (298 mm)	451 lbs (205 kg)	200	84.35 cu. ft.	82.625" (2099 mm)	42" (1067 mm)	42" (1067 mm)

DIMENSION REQUIREMENTS	
Wall Clearance (minimum)*	0" (0 mm)
Clearance above Heat Exchanger (minimum)*	6" (152 mm)
Standard Table Height	34" (864 mm)
Inside Vertical Clearance - TempStar	17-1/4" (438 mm)
Inside Vertical Clearance - TempStar HH-E	27" (686 mm)
Machine Height with Door Open - TempStar	76" (1933 mm)
Machine Height with Door Open - TempStar HH-E	86-3/4" (2202 mm)

WATER REQUIREMENTS	TempStar	TempStar HH-E
Inlet Temperature*	40 - 90° F (4.4 - 32.2° C)	
Gallons per Hour*	35 gal (133 L)	39.6 gal (150 L)
Gallons per Rack	0.89 gal (3 L)	0.72 gal (2.73 L)
Waterline Size MIP (minimum)*	3/4"	1/2"
Drainline Size IPS (minimum)	1- 1/2"	1- 1/2"
Flow Pressure (PSI) Connection	40	40
Operating Flow Pressure (PSI)	10	10
Wash Tank Capacity	8 gal (30 L)	8 gal (30 L)
Booster Tank Capacity	3 gal (11 L)	3 gal (11 L)

OPERATING CAPACITY*				
	Normal	Medium	Heavy	Extra Heavy
Racks per Hour - TempStar	39	24	17	11
Racks per Hour - TempStar HH-E	37	23	17	11

APPROXIMATE LOAD AMPS	TempStar	TempStar HH
Power Supply	AMPS	AMPS
208V/60HZ/1PH	75.8	87
208V/60HZ/3PH	46.3	55
230V/60HZ/1PH	83.6	96
230V/60HZ/3PH	50.7	61
460V/60HZ/3PH	24.1	28

OPERATING TEMPERATURES	
Wash (minimum)	150° F (66° C)
Rinse (minimum)	180° F (82° C)

OPERATING CYCLE FOR TEMPSTAR*					
	Wash	Rinse	Dwell	Condensate Removal	Total Cycle
Normal	40	13	4	30	87
Medium	100	13	4	30	147
Heavy	160	13	4	30	207
Extra Heavy	280	13	4	30	327

TANK HEATER SPECIFICATIONS		
	Volts	KW
Electric Wash Tank Heater	208V	4.1
	230V	5.0
	460V	5.0
Electric Rinse Tank Heater - 70°F (38.9°C) Rise	208V	10.5
	230V	12.9
	460V	12.9

OPERATING CYCLE FOR TEMPSTAR HH-E*					
	Wash	Rinse	Dwell	Condensate Removal	Total Cycle
Normal	40	10	10	30	90
Medium	103	10	10	30	153
Heavy	163	10	10	30	213
Extra Heavy	283	10	10	30	333

WASH PUMP MOTOR	
Wash Pump Motor - TempStar	1 hp
Wash Pump Motor - TempStar HH-E	2 hp

STEAM REQUIREMENTS	
Steam Flow Pressure (PSIG)	15-20
Consumption @ 15 PSIG (lbs/hr)	45

AMBIENT HEAT LOAD (as tested on standard height model)	
Latent Heat (BTU)	5300
Sensible Heat (BTU)	4500

\*Specs shown for TempStar / TempStar HH-E with optional Ventless and Energy

HOW TO SPECIFY: TempStar® with optional Ventless & Energy Recovery

HOW TO SPECIFY: TempStar® HH-E with optional Ventless & Energy Recovery

**Jackson WWS, Inc.**

Shipping Address: 6209 North U.S. Highway 25E, Gray, KY 40734

Mailing Address: P.O. Box 1060, Barbourville, KY 40906

Telephone: 888-800-5672 • Fax: 606-523-1799

Email: info@jacksonwws.com

07610-002-66-59B [09/15/17]

[www.jacksonwws.com](http://www.jacksonwws.com)

We reserve the right to change specifications in this bulletin without incurring any obligation for equipment previously or subsequently sold.