

# CROWN VERITY

## PIZZA OVEN OWNERS MANUAL

REVISED JUNE 3, 2019

MOBILE MODELS: PZ24-MB, PZ36-MB, PZ48-MB, PZ36-CB, PZ48-CB  
PORTABLE MODELS: PZ24-TT, PZ36-TT, PZ48-TT



Intertek



PROUDLY MADE IN  
NORTH AMERICA



Congratulations and thank you for choosing Crown Verity. You are the proud new owner of the finest commercial mobile pizza oven available. CROWN VERITY Inc. pizza ovens are designed to last a lifetime and with proper care and maintenance, your pizza oven will provide unparalleled performance for countless years of outdoor cooking.

Our pizza ovens are designed for high performance and are distinctly different than our grill line. This manual contains important information necessary for the proper and safe use of the pizza oven. Please read this manual carefully and follow all warnings and instructions before operating the pizza oven to ensure safe operation and to maximize your cooking enjoyment.

Crown Verity is here to help. Should you ever have any questions about cooking with or caring for your Crown Verity product, please contact our customer service desk at:

1-888-505-7240

or

[service@crownverity.com](mailto:service@crownverity.com)

Please have your model number and serial number ready when you call or include it in your email.

Model Number

Serial Number

Note: The serial number and model number can be found on the rating plate.

## For your Safety

**WARNING:** This appliance shall be used only in a well ventilated space and shall not be used in a building, garage, or any other enclosed area. Ensure that the clearances to combustibles is adhered to as listed in this manual.

**WARNING:** Improper installation, adjustment, alteration, service or maintenance can cause property damage, injury or death. Please read the installation, operating and maintenance instructions provided in this manual thoroughly before installing or servicing this equipment. It is your responsibility to see that your pizza oven is properly assembled, installed, and cared for.

**WARNING:** Keep any electrical supply cords and fuel supply hoses(s) away from any hot surfaces.

**WARNING:** This appliance has been tested according to **ANSI Z83.11/CSA 1.8 2016**. This is an outdoor commercial cooking appliance and is not intended to be installed in or on a boat or recreational vehicle.



### **DANGER: IF YOU SMELL GAS**

- 1. Shut off gas to the appliance.**
- 2. Extinguish any open flame.**
- 3. Open doors and remove any storage cover(s).**
- 4. If the odor continues, keep away from the appliance and immediately call your gas supplier or fire department.**

**Failure to follow these instructions could result in fire or explosion which could cause property damage, personal injury or death.**



**WARNING: FOR YOUR SAFETY**

**DO NOT** store or use gasoline or other flammable vapors and liquids in the vicinity of this or any other appliance.

**DO NOT** check for leaks with a match or open flame.

**DO NOT** store a LP cylinder that is not connected for use in the vicinity of this or any other appliance.

**DO NOT** use your pizza oven if there is evidence of damage (cuts, cracks, burns) or excessive wear to the gas supply hose.

**DO NOT** obstruct the flow of combustion and ventilation air to the pizza oven.

**DO NOT** place combustibles on the undershelf. Do not stand on the undershelf as it could result in injury or irreparable damage.

**DO NOT** store a spare LP (propane) cylinder under your pizza oven.

**DO NOT** leave your pizza oven unattended while in operation.

**DO NOT** use under the influence of alcohol or drugs.

**DO NOT** use this pizza oven until you have read and understood all of the information in this manual.

**IMPORTANT:** Damage caused by a failure to heed the warnings or follow the safety instructions and practices described in this manual is not covered by the warranty.

## California Proposition 65 Warning

The burning of gas cooking fuel generates some by-products that are on the list of substances which are known by the State of California to cause cancer or reproductive harm. California law requires businesses to warn customers of potential exposure to such substances. To minimize exposure to these substances, always operate the pizza oven according to this Owners Manual and ensure you provide good ventilation when cooking with gas.

## Unpacking

This pizza oven was carefully inspected and tested before leaving the factory. Upon acceptance of the shipment, all freight damage responsibility is relinquished by the freight carrier.

Immediately after unpacking the pizza oven, check for possible shipping damage. If the appliance is damaged, save the packaging material and contact the carrier immediately.

## **Table Of Contents**

<b>FOR YOUR SAFETY</b>	<b>3</b>
<b>CALIFORNIA PROPOSITION 65 WARNING</b>	<b>5</b>
<b>UNPACKING</b>	<b>5</b>
<b>SAFELY OPERATING YOUR PIZZA OVEN</b>	<b>7</b>
<b>IMPORTANT LP TANK SAFETY INFORMATION</b>	<b>8</b>
<b>INSTALLATION</b>	<b>10</b>
<b>NOTE TO GAS TECHNICIAN</b>	<b>11</b>
<b>LIQUID PROPANE GAS REQUIREMENTS (20/30-POUND CYLINDERS)</b>	<b>12</b>
<b>NATURAL GAS REQUIREMENTS</b>	<b>15</b>
<b>BULK SUPPLY LIQUID PROPANE GAS REQUIREMENTS</b>	<b>16</b>
<b>LEAK TESTING</b>	<b>16</b>
<b>WARNING!- NATURAL HAZARD - SPIDERS</b>	<b>18</b>
<b>LOCATING THE PIZZA OVEN</b>	<b>18</b>
<b>BEFORE YOU COOK</b>	<b>20</b>
<b>GENERAL OPERATING PROCEDURES</b>	<b>21</b>
<b>WHILE YOU ARE COOKING</b>	<b>21</b>
<b>ADDITIONAL COOKING TIPS</b>	<b>21</b>
<b>LIGHTING YOUR PIZZA OVEN</b>	<b>23</b>
<b>BURNER ADJUSTMENTS</b>	<b>25</b>
<b>PIZZA OVEN DIMENSIONS</b>	<b>27</b>
<b>OVEN ASSEMBLY</b>	<b>28</b>
<b>CARING FOR YOUR PIZZA OVEN</b>	<b>29</b>
<b>TROUBLESHOOTING</b>	<b>32</b>
<b>INSTALLATION CHECKLIST</b>	<b>33</b>

## Safely Operating Your Pizza Oven

**WARNING:** Certain surfaces of your pizza oven can get hot enough to cause severe burns. Never leave the appliance unattended when in use to prevent unintentional contact.

**IMPORTANT:** Improper use or installation of the pizza oven is dangerous. The pizza oven produces intense heat and therefore the risk of accidents or potential injuries is increased. Carefully follow all instructions, including the following:

- To reduce the risk of fire, burns or other injury, read this manual thoroughly. Begin by ensuring proper installation and servicing. Do not repair or replace any part of the pizza oven yourself unless it is specifically recommended in manual. All other service must be carried out by a licensed gas technician.
- Do not heat unopened food containers in the pizza oven. The buildup of pressure resulting from the heat may cause the container to burst.
- Never lean on any part of the pizza oven.
- The pizza oven is equipped with a pilot tube burner. When lighting the pizza oven, always pay close attention to what you are doing. Make sure the pilot tube burner is lit before attempting to light the main burners.
- When the burners are on the oven will become very hot quickly. Use caution when making contact with any part of the oven. The surfaces of the oven will become extremely hot and may cause severe burns. It is recommended that care be taken when touching any part of the oven while operating.
- The oven will retain heat after the burners have been turned off, especially the cooking stones. Use caution when coming in contact with the oven immediately after use.
- Do not use any cleaner, including water, on a hot pizza oven. Never use any liquids when cleaning the cooking stones.
- Be sure all control knobs are in the OFF position and the pizza oven is cool before using any aerosol cleaner on it or near it. The chemical used for aerosol propellant could ignite in the presence of heat. Never use aerosol cleaner on the cooking stones.
- Always use dry pot holders or gloves on hot surfaces or cooking tools: moist or damp pot holders or gloves may cause steam burns. Never use a towel or bulky cloth in place of pot holders. Do not let pot holders touch hot portions of the pizza oven or allow them to get near the open flame.

## Safely Operating Your Pizza Oven (Cont'd)

- Do not operate the pizza oven under an unprotected combustible construction. Use only in a well-ventilated area. The oven is for outdoor use only.
- Do not obstruct any of the openings on the pizza oven or otherwise obstruct the flow of combustion and ventilation air. Do not build the pizza oven into any structure that is closer than 12 inches from the sides, back and top.
- Keep all gas hoses away from the hot surfaces of the pizza oven, including all external surfaces of the unit.
- Keep all electrical cords away from the hot surfaces of the pizza oven.
- Ensure proper installation and servicing by following all instructions in this manual and any other instructions or markings provided with this product. Have your pizza oven installed by a licensed gas technician.
- If you smell gas, there is likely a problem with the installation. If the connections are not perfectly sealed, you can have a small leak resulting in the faint smell of gas -- even if the pizza oven appears to be working properly. Shut the gas supply off to the pizza oven and call a licensed gas technician to locate and resolve the leak.

## Important LP Tank Safety Information

Although safe to use when properly handled, careless handling of a propane gas cylinder could result in fire, explosion and/or serious injury.

**To avoid risk of fire, explosion or injury, take the following safety precautions:**

**WARNING:** For safety reasons, the LP gas cylinder, if supplied with your pizza oven, has been shipped empty. The cylinder must be purged of air and filled prior to use.

- Allow only a qualified LP gas dealer to fill or repair cylinders.
- A liquid propane cylinder should never be “overfilled” beyond the cylinder filling capacity. “Overfilling may create a dangerous condition. “Overfilled” tanks can build up excess pressure. The standard safety device on tanks is the safety relief valve. This valve vents propane gas vapors to relieve excess pressure. These vapors are combustible and can be ignited.



## Important LP Tank Safety Information (Cont'd)

- Make sure the gas dealer checks the cylinder for leaks after filling.



### **DANGER:**

- A. Do not store a spare LP-gas cylinder under or near this appliance;**
- B. Never fill the cylinder beyond 80 percent full; and**
- C. If instructions A and B are not followed exactly, a fire causing death or serious injury may occur.**

- Do not store spare LP gas cylinders under the pizza oven.
- Never use a dented, rusty or expired LP tank.
- Always use the protective cap provided with your cylinder whenever it is not connected to your pizza oven.
- Never connect the pizza oven to anything other than the fuel source indicated on the rating plate. Factory conversion kits are available for switching fuel sources. Contact Crown Verity or an authorized dealer for details. Conversion kit installation must be done by a licensed gas technician.
- The LP-gas cylinder must include a collar to protect the cylinder valve from damage.
- Ensure proper ventilation of the cylinder. The cylinder supply system must be arranged for vapor withdrawal.
- The LP-gas supply cylinder to be used must be constructed and marked in accordance with the specifications for LP-gas cylinders, U.S. Department of Transportation (DOT) or the standard for *Cylinders, Spheres and Tubes for the Transportation of Dangerous Goods, CAN/CSA-B339*.
- When the pizza oven is not in use, the gas must be turned off at the supply cylinder.
- Handling, storage and transportation of propane cylinders must be in accordance with Storage and handling of Liquid Petroleum Gases, ANSI/NFPA 58 or Natural Gas and Propane Installation Code, CSA B149.1

## Important LP Tank Safety Information (Cont'd)

- The pizza oven may be stored indoors, but only if the cylinder is disconnected and removed from the oven. An LP cylinder **MUST NEVER BE STORED INDOORS**.
- Cylinders must be stored outdoors and must not be stored in a building, garage or any other enclosed area. Store in a well-ventilated area.
- Do not store in the vicinity of any gas burning apparatus or in any high heat area such as a closed car or trunk.
- Do not smoke while transporting a LP cylinder in your vehicle.
- Always close the main valve on the tank before disconnecting or transporting the tank.
- Transport and store cylinders in an upright position. Do not tip it on its side. (The 30 lbs. tanks supplied with the Club model (CB) variation are designed to be used and stored on their side.)
- The pressure regulator and hose assembly supplied with the pizza oven must be used. Replacement pressure regulators and hose assemblies must be the type specified by Crown Verity and installed by a licensed gas technician. For replacement parts, contact Crown Verity Customer Service at 1-888-505-7240.

## Installation

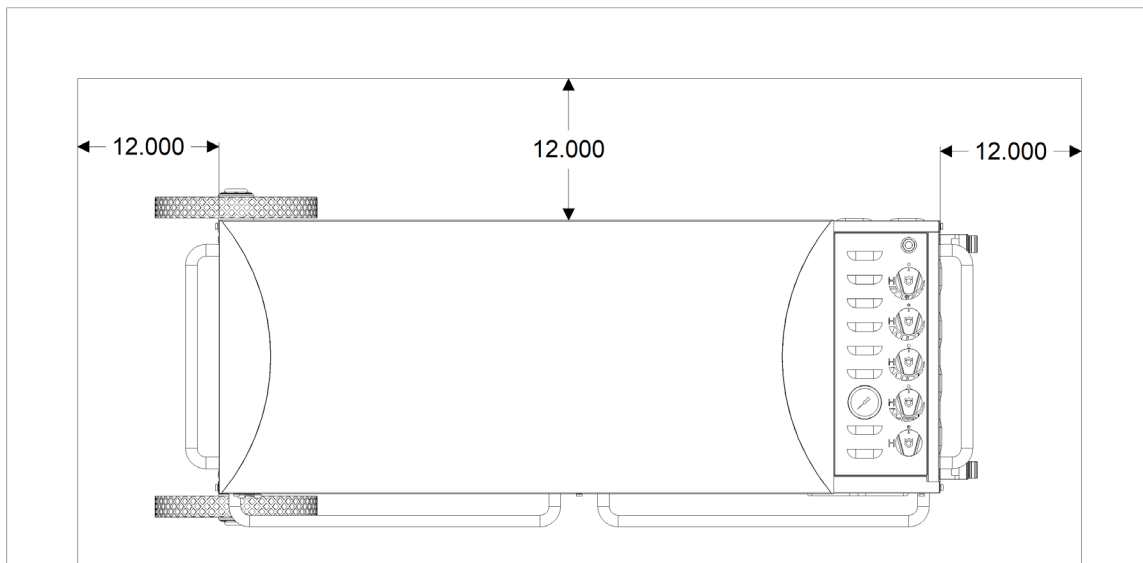
The installation of this appliance must be in accordance with:

- A.** All applicable local codes, or in the absence of local codes;
  - a. Canada: must conform to current National Standard CAN/CGA B149.1&.2 - natural gas/ propane installation code.
  - b. U.S.A.: must conform to national Fuel Gas Code, ANSI Z223.1/NFPA 54 edition.
- B.** Use only hoses, regulators and quick disconnects supplied by Crown Verity.
- C.** Maintain minimal clearances to combustible materials
  - a. 12 inches from side(s)
  - b. 12 Inches from back (see Figure 1)
- D.** This appliance is suitable for use on combustible floors.
- E.** Always level your pizza oven front to back & side to side.
- F.** Always keep the area surrounding your pizza oven clear of all combustible materials, gasoline, or other flammable liquids.

## Installation (Cont'd)

- G.** Use your pizza oven **OUTDOORS ONLY** and in a well-ventilated space, preferably 10 ft. from dwellings or outbuildings.
- H.** Casters must be locked when the appliance is in operation.

**FIGURE 1. CLEARANCES TO COMBUSTIBLES**



### Note to Gas Technician

**WARNING: DO NOT** perform any pressure tests on this appliance or the regulator supplied in excess of 1/2 PSIG.

#### For fixed fuel supply systems. RE: Pressure tests

- A.** The appliance and its individual shut-off valve must be disconnected from the gas supply piping system during any pressure testing of that system at test pressures in excess of 1/2 psi. (3.45 kPa).
- B.** The appliance must be isolated from the gas supply piping system by closing it's individual manual shut-off valve during any pressure testing of the gas supply piping system at test pressures equal to or less than 1/2 psi. (3.45kPa).

**WARNING: DO NOT** install any gas handling components/materials affected by elevated temperatures within 18” of any side of this appliance.

Make sure that the supply line is of adequate capacity to accommodate the higher inputs of the pizza oven before you begin. They are significantly higher inputs than average appliances of this type.

The use of a typical corrugated metallic appliance connector is recommended for connecting the appliance, with a minimum diameter of 1/2”.

BTU Table					
Pizza Oven Model	BTU's LP Pilot Orifice - 69	BTU's LP Burner Orifice - 59	BTU's NG Pilot Orifice - 56	BTU's NG Burner Orifice - 51	Total BTU's NG/LP
PZ24 (All Models)	5,000	12,500	5,000	12,500	30,000
PZ36 (All Models)	5,000	12,500	5,000	12,500	42,500
PZ48 (All Models)	5,000	12,500	5,000	12,500	55,000

**Note: For LP (Liquid Propane) applications, the specified BTU's are calculated at a manifold pressure of 11 inches W.C.. For NG (Natural Gas) applications, the specified BTU's are calculated at a manifold pressure of 4 inches W.C..**

**For reference, orifice sizes and manifold pressures are indicated on the rating plate of the appliance.**

You are encouraged to explain any provisions or concerns you may have regarding the placement of your equipment near or within the supporting structure and the surroundings. Please forward any suggestions you may have should the gas supply components pose any aesthetic problems that the property owner may be concerned with before you begin. Should you have any questions or require technical assistance, please call Crown Verity Inc. at 1-888-505-7240.

## Liquid Propane Gas Requirements (20/30-Pound Cylinders)

Verify the type of gas your pizza oven has been configured for by the factory by checking the rating plate on the oven. Pizza ovens configured for liquid propane (LP) gas are orificed differently than ovens configured for natural gas (NG). Pizza ovens configured for use with 20 or 30-pound LP cylinders (Type 1) are shipped with an LP regulator hose assembly attached.

## Liquid Propane Gas Requirements (Cont'd)

**WARNING:** For Propane Gas Models: Your pizza oven is designed to operate on L.P. (propane) gas pressure regulated at 11" water column. The regulator(s) supplied with the pizza oven is set to this pressure and must be used.

**Connection:** The Type I (Q.C.C.1) cylinder valve is recognizable by the large external thread on the outlet part of the valve. Standard valves do not have these exterior threads. Any attempt to fit the regulator(s) with anything other than the mating Type I (Q.C.C.1) connector, (recognized by the large plastic coupling nut) will negate the important safety features designed into the Type I (Q.C.C.1) system. Fitting a standard #510 P.O.L connector, will not provide the flow control or temperature shut-off safety features built into the complete Type I (Q.C.C.1) system. This regulator is equipped with the Type I (Q.C.C.1), quick closing connection system, which incorporates the following features:

- Will not allow gas to flow until a positive seal has been made.
- Has a thermal element that will shut off the flow of gas if subjected to temperatures between 115° and 150°C (240° & 300°F).
- Has a flow limiting device which, when activated, will restrict the flow of gas to 10 cubic feet per hour (25000 BTUs).

To connect the LP regulator hose assembly to the LP tank, first make sure the main valve on the tank is completely closed. Make sure also that the control valves on the pizza oven are OFF. Thread the regulator inlet over the tank valve. Use care to ensure proper alignment of the threaded coupler and avoid cross-threading or damaging the coupler. Turn the coupler clockwise until tightened up, but do not over-tighten.

After connecting a fresh LP tank, you may need to purge air from the system. Before lighting, open the main valve on the tank. Turn one of the burner control valves on the pizza oven to the HIGH position for about 15 seconds to purge air from the system. Turn the control valve on the pizza oven OFF and wait 5 minutes for any gas to clear. Finally, continue with the normal lighting procedure.

**Troubleshooting :** If the large thermally sensitive coupling nut is exposed to temperatures above 115°- 150°C, it will soften and allow the regulator probe to disengage from the cylinder valve, thereby shutting off the flow of gas. Should this occur: do not attempt to reconnect the nut. Remove the entire regulator assembly and replace it with a new one. The cause of the excessive heat should be determined and corrected before operating the pizza oven again.

## Liquid Propane Gas Requirements (Cont'd)

The regulator probe also contains a flow-sensing element, which will limit the flow of gas to the regulator to a manageable amount (10 cubic feet per hour) in the event of a hose or regulator failure, or a leak. If it is evident that the flow-limiting device has activated, the cause of the excessive flow should be determined and corrected before using your grill again.

Improper lighting procedures can also cause the flow-limiting device to activate, resulting in reduced heat output. If this is suspected, shut off all burner controls and cylinder valve, and carefully repeat lighting instructions step by step. Do not remove the nut and probe and do not attempt to connect to anything other than a mating Type I (Q.C.C.1) cylinder valve.



### **DANGER:**

- A.** Never connect a propane pizza oven to an unregulated propane gas supply or other gas type.
- B.** Do not attempt to alter the hose or regulator in any way.
- C.** Do not allow the hose to come in contact with any hot surfaces of the pizza oven.
- D.** Visually inspect the entire length of the hose assembly before each use for any evidence of damage (cuts, cracks, burns) or excessive wear. If found, replace the assembly before using your pizza oven.
- E.** The connection fitting must be protected when disconnected from the LP cylinder. If the fitting is allowed to drag on the ground, damage to the fitting may occur resulting in leaks or an incomplete connection. Dirt could also enter the small inlet hole, blocking gas flow completely.

## Natural Gas Requirements

Verify the type of gas your pizza oven has been configured for by the factory by checking the rating plate on the oven. Pizza ovens configured for natural gas (NG) are orificed differently than ovens configured for liquid propane (LP) gas. Pizza ovens configured for use with natural gas are shipped with a hose, regulator and quick-connect fitting.

**WARNING:** For Natural Gas Models: Your pizza oven is designed to operate on natural gas (NG) pressure regulated at 4" water column. The regulator supplied with the pizza oven is set to this pressure and must be used.

**Connection:** Quick-connect hose and regulator assembly (included).

**IMPORTANT:** Always close the gas supply shutoff valve before disconnecting the pizza oven gas supply hose.

**IMPORTANT:** An installer-supplied safety shutoff valve **MUST** be installed on the natural gas supply line for the pizza oven. The valve should be easily accessed and located between 3 and 20 feet away from the oven (always check with local codes for specified clearances and distances) . All gas connections should be made by a licensed technician. The installation and all installer-supplied parts must conform to local codes. In the absence of local codes, the installation and all parts should conform to the National Fuel Gas Code, ANSI Z223.1/ NFPA 54 or Natural Gas and Propane Installation Code, CSA B149.1.

**IMPORTANT:** Diameter and length of the gas supply pipe may limit the pressure and BTU delivery of gas to the oven. The installer must ensure proper delivery to the pizza oven or it will not operate properly. The appliance and its individual shutoff valve must be disconnected from the gas supply piping system during any pressure testing of that system at pressures in excess of 1/2 psi (3.5 kPa). During any pressure testing of the gas supply piping system at test pressures equal to or less than 1/2 psi (3.5 kPa), the appliance must be isolated from the system by closing its individual manual shutoff valve.

**All pipe sealants must be of an approved type.**

## Bulk Supply Liquid Propane Gas Requirements

Verify the type of gas your pizza oven has been configured for by the factory by checking the rating plate on the oven. Pizza ovens configured for liquid propane (LP) gas are orificed differently than ovens configured for natural gas (NG). For pizza ovens configured for use with bulk LP tanks, a regulator is not supplied. To purchase these options, please contact Crown Verity at 1-888-505-7240.

**Connection:** A quick-connect hose is provided to support the connection to a bulk supply.

**WARNING:** The Operating Pressure of the appliance is 11.0" W.C. A step down regulator MUST be used on an LP house system to reduce the pressure down to 11.0" W.C. for the pizza oven.

**IMPORTANT:** Always close the gas supply shutoff valve before disconnecting the pizza oven gas supply hose.

**IMPORTANT:** An installer-supplied safety shutoff valve MUST be installed on the liquid propane gas supply line for the pizza oven. The valve should be easily accessed and located between 3 and 20 feet away from the oven. All gas connections should be made by a licensed technician. The installation and all installer-supplied parts must conform to local codes. In the absence of local codes, the installation and all parts should conform to the National Fuel Gas Code, ANSI Z223.1/ NFPA 54 or Natural Gas and Propane Installation Code, CSA B149.1.

**IMPORTANT:** Diameter and length of the gas supply pipe may limit the pressure and BTU delivery of gas to the oven. The installer must ensure proper delivery to the pizza oven or it will not operate properly. The appliance and its individual shutoff valve must be disconnected from the gas supply piping system during any pressure testing of that system at pressures in excess of 1/2 psi (3.5 kPa). During any pressure testing of the gas supply piping system at test pressures equal to or less than 1/2 psi (3.5 kPa), the appliance must be isolated from the system by closing its individual manual shutoff valve.

**All pipe sealants must be of an approved type.**

## Leak Testing

Although all gas connections on the pizza oven are leak tested at the factory prior to shipment, a complete test must be performed:

- A. After installation due to possible mishandling during shipping or installation.
- B. Periodic checks are also required every time the propane cylinder is refilled, any gas component is changed or at least once a year.



C. Immediately check for leaks if you smell gas.

**WARNING:** Never use an open flame to look for a leak. Perform the leak test outdoors in a well-ventilated area. Extinguish all open flames and keep away from any heat or ignition sources. DO NOT SMOKE! Use only a 50/50 mixture of liquid soap and water for leak testing.

**IMPORTANT:** Owners should only check for leaks on the gas connections that are external to the pizza oven. If the valves or other internal connections need to be checked, please call a licensed technician or Crown Verity Customer Service at 1-888-505-7240.

For LP units using a 20 or 30 pound cylinder, a full cylinder should be used.

#### **To Conduct the Test:**

Make a soap solution of one part liquid dish soap and one part water.

Make sure the pizza oven control valve(s) is in the OFF position. Turn the gas supply ON. Use a spray bottle, brush or rag to apply the mild soap solution to all connections from the supply line or LP cylinder to the connection on the rear of the pizza oven including the following:

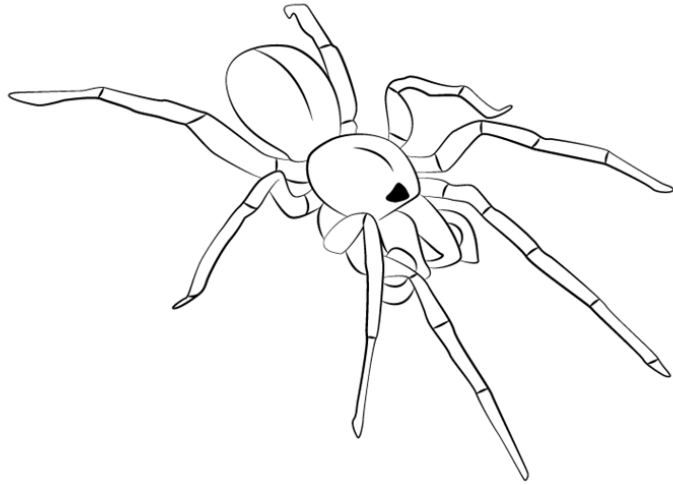
- A. Cylinder valve including the threads into the tank.
- B. All cylinder welds.
- C. Regulator fitting(s) and cylinder connections.
- D. All hose connections.

Soap bubbles will appear at any connections with a leak. Turn OFF the gas supply and tighten any leaky connections. Recheck, applying more mild soap solution.

**IMPORTANT:** Do not use the pizza oven if any leaks cannot be stopped. Turn off the gas supply valve, remove any gas cylinder and call a licensed gas appliance service technician for proper repairs.

## Warning!- Natural Hazard - Spiders

Spiders and other insects are attracted by the smell of gas and could make webs or nests in the burners. This could partially or completely block the flow of gas through the venturis and is indicated by a smoky, yellow flame, and/or a burner that is difficult or impossible to light. Ultimately, it may cause the gas to burn outside the venturis, which can seriously damage your pizza oven. If this happens, immediately shut off the propane at the cylinder, or natural gas at the main shut-off valve. To prevent and/or correct this occurrence, periodically check the venturis for obstructions by inserting a pipe cleaner or flexible wire through the air inlet of the burner and twisting it. Ensure venturi tubes are properly “seated” over the orifices after cleaning.



## Locating the Pizza Oven

The Crown Verity pizza oven is available in two versions. Depending on the model purchased, there are several factors to consider when placing the oven for use.

**Choosing a Location:** Important considerations for all pizza oven placements include exposure to wind, proximity to foot traffic or areas where people congregate.

The mobile pizza oven models have an integrated base with large wheels. Options include mounting supports for 20 pound LP gas cylinders (not included) or integrated 30 pound LP gas cylinders that are included with the CB model option. It can also be specified for connection to either a natural gas or a bulk propane supply. Factors to consider with this version of the pizza oven include:

- **DO NOT** place the pizza oven in a location where the oven opening is likely to be exposed to strong wind.
- **DO NOT** place the pizza oven where it is likely to be bumped into or inadvertently touched by passersby.
- **DO NOT** place the pizza oven on a surface that is unable to safely support the 300-pound weight of the pizza oven as it may topple or tip over.

## Locating the Pizza Oven (Cont'd)

- **DO NOT** place the pizza oven on any surface that would allow the pizza oven to easily or inadvertently change position. When in use, always have the casters in the locked position.
- For natural gas and bulk propane models, **NEVER** place the pizza oven where the gas hose creates a safety hazard. Tripping over an exposed gas hose may create a gas leak, cause the oven to tip or topple over or create other serious safety hazards.
- **NEVER** locate the pizza oven in a building, breezeway, shed or other such enclosed areas.

The countertop versions are identical to the mobile versions with the exception of the mobile base. Countertop ovens are supplied with a shorter leg for countertop installations. They are available with LP gas cylinders connections up to 100 lbs. They can also be specified for natural gas or bulk propane supply.

- **DO NOT** place the countertop oven on a combustible surface.
- **DO NOT** place the pizza oven in a location where the oven opening is likely to be exposed to strong wind.
- **DO NOT** place the pizza oven where it is likely to be bumped into or inadvertently touched by passersby.
- It is recommended that the countertop or other surface extend 9 inches beyond the sides and back of the pizza oven as a safety clearance to protect people from injury.
- **DO NOT** place the pizza oven on a table or cart that is unable to safely support the 200 plus pound weight of the pizza oven or may topple or tip over.
- **DO NOT** place the pizza oven on any surface that allows the pizza oven to slide easily or inadvertently change position.
- **NEVER** place the pizza oven where the gas hose creates a safety hazard. Tripping over an exposed gas hose may create a gas leak, pull the pizza oven off the counter or create other serious safety hazards.
- **NEVER** locate the pizza oven in a building, breezeway, shed or other such enclosed areas.
- The pizza oven is not intended to be installed in or on a boat or recreational vehicle.
- For ease of use and safe operation, it is recommended the surface on which the pizza oven sits be at least 36 inches high (counter-height) and not more than 42 inches high (bar-height).

**IMPORTANT:** Do not build the pizza oven into any type of enclosure. Proper air circulation in and around the pizza oven is critical to its operation. Maintain at least 12 inches of clearance around the sides and back of the pizza oven, and 12 inches above the top. Do not obstruct the open space below the pizza oven. NEVER place the pizza oven underneath an overhead combustible surface. The pizza oven must be placed on top of a non-combustible surface.

## Before You Cook

A quick safety check should be performed before each time you use the pizza oven.

- Clean and inspect the gas hose. If there is evidence of abrasion, wear, cuts or leaks, do not use the pizza oven. The hose must be replaced prior to using the pizza oven. Replace the hose assembly with the exact type specified by Crown Verity.
- Ensure the gas hose is clear of the pizza oven. Keep the fuel supply hose away from any heated surface(s).
- Check that the area near the pizza oven is clear of combustible materials and vapors, including alcohol, gasoline, aerosol containers and dry goods. Keep electrical cords from being in contact with the pizza oven.
- Check that nothing is interfering with the safe operation of the oven by obstructing the ventilation around and under the unit. The pizza oven requires 12 inches of clearance to the left, right and back of the unit with no obstructions above.
- Do not use the oven with overly loose-fitting clothing, especially loose sleeves that may come in contact with the hot surfaces inside the oven or near the door.
- Have insulated gloves with long cuffs ready and available.

**IMPORTANT:** The pizza oven comes equipped with a thermometer. There are three types of heat required to properly cook pizza which include direct (cooking stones), radiant (surrounding materials) and convection. The thermometer only measures the oven temperature which does not correlate directly with the surface temperature of the cooking stones. Through extensive testing, we recommend that the temperature of the pizza stone be regulated between 500 to 525 degrees Fahrenheit for best results. The oven thermometer may register a slightly different temperature, so it is recommended that you familiarize yourself with the temperature settings and your own personal cooking environment to optimize the temperature setting for the best cooking performance.

## General Operating Procedures

The pizza oven reaches operating temperatures in approximately 20 minutes but may vary depending on environmental conditions. The ideal surface temperature of the cooking stones, specifically for pizza, is between 500-525 degrees Fahrenheit, however for compliance requirements, the temperature gauge for the oven is specific to the air temperature. There is not a direct correlation between the oven air temperature and the stone temperature, so the actual values will differ slightly.

Practice with your pizza oven to understand the temperature variables and nuances of your oven before hosting your guests.

## While You are Cooking

The pizza oven surfaces get very hot as will the pizzas you are cooking. Follow these tips while operating the oven:

- Never move the pizza oven while it is in use or when it is hot.
- The use of alcohol, prescription or non-prescription drugs may impair your ability to safely operate the pizza oven.
- Do not touch the top of the pizza oven, the front shelf or any surfaces inside or near the door opening while the oven is hot. These surfaces can cause serious burns.
- Be very careful transporting hot pizzas. The toppings can cause serious burns to yourself or those around you.
- Only use a long-handled tools to clean the cooking deck. The handle must be long enough that your hands stay safely outside of the oven.
- Never empty the crumb tray while the oven is hot. The tray and its contents become very hot while the oven is in use.

## Additional Cooking Tips

**Here are some additional tips specific to cooking pizza with this appliance. We recommend you follow these tips to help ensure consistent results with your cooking experience.**

- Our polished cooking stones are less likely to stick to the pizza dough than traditional cordierite stones. However, you can use corn meal between the dough and the peel to help slide the pizza off the peel. Be sure the dough is floured enough that it is not sticky on the bottom.

## Additional Cooking Tips (Cont'd)

- Do not leave an assembled pizza on the peel longer than absolutely necessary. This can lead to the pizza sticking to the peel.
- Cook thin to medium crust pizzas directly on the cooking deck.
- Use multiple, smaller “flicking” gestures to coax the pizza off the peel into the oven. Trying to do it with one, larger gesture is more likely to dislodge pizza toppings.
- Do not overload a thin-crust or medium-crust pizza with too many toppings. This will most often lead to a soggy center crust. When in doubt, less is more.
- If the pizza sticks to the cooking deck, the deck was probably not hot enough before the pizza was put onto the deck.
- Do not put a frozen pizza on the cooking deck. It is almost certain to stick and to become burned before it releases.
- Rotate pizzas for even cooking.
- Brush any burnt cornmeal off the cooking deck and into the crumb tray before cooking the next pizza.
- If you have any difficulty rotating the pizza inside the oven using a peel, try using long-handled grill tongs to do the job. You can also use the tongs to lift the edge of the pizza to check on the bottom of the crust.
- Avoid letting the pizza contact the cooking deck backstop. This is a very hot surface that will quickly burn the crust.

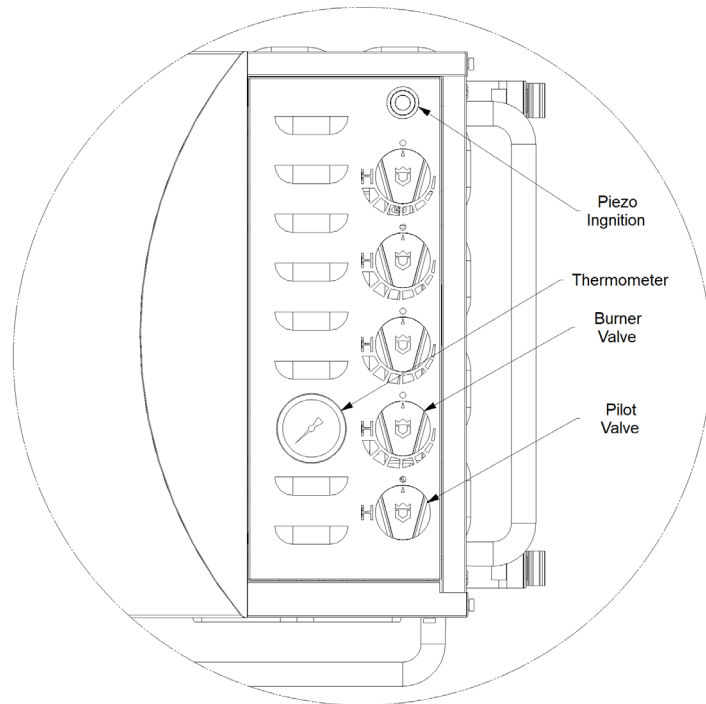
## Lighting Your Pizza Oven

Before lighting your pizza oven, be sure you have followed the instructions in this manual regarding proper setup, placement, gas connections leak testing and safe operation, all of which precede this page.

**IMPORTANT:** Do not use the pizza oven if the odor of gas is present at any time. Follow leak testing procedures before using the pizza oven.

### Standard Lighting Procedure:

- Position the wind guards in the fully open position.
- Make sure the main burner valves are in the OFF position (See Figure 3.).
- Turn the main gas supply on and wait 15 seconds.
- Turn the pilot valve into the on position.
- Press down and hold the piezo ignition button to engage the electronic ignition and light the pilot tube. Confirm that the pilot is lit by looking through the opening behind the wing door.
- Turn the main burner valves on to the desired temperature setting. (See general operating procedures for guidelines on how to determine ideal temperature settings). Ignition should take place within 4 to 5 seconds. Verify that the burners are lit by looking through the site windows on the face of the oven (See Figure 5.). If the burners do not light within this time, turn the temperature knob to the OFF position and wait 5 minutes for the gas to dissipate before trying again. If the appliance will not light after multiple attempts, refer to the troubleshooting section of this manual.

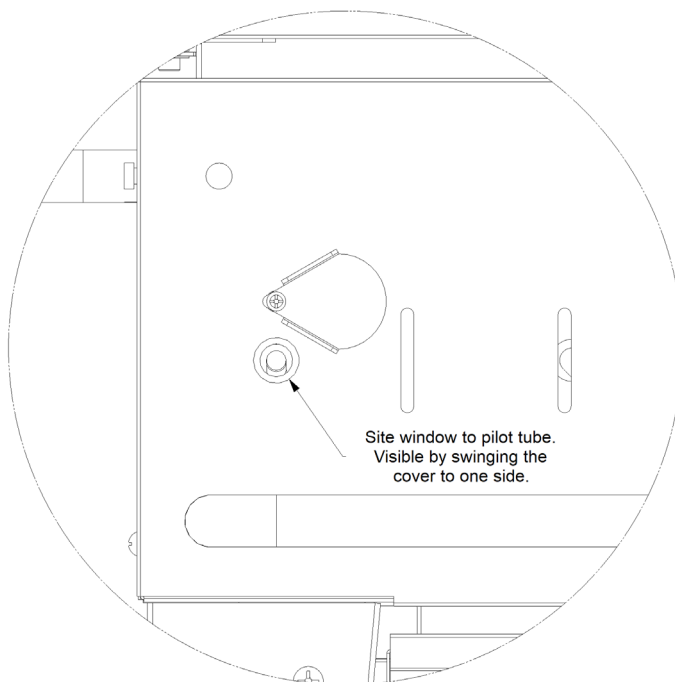
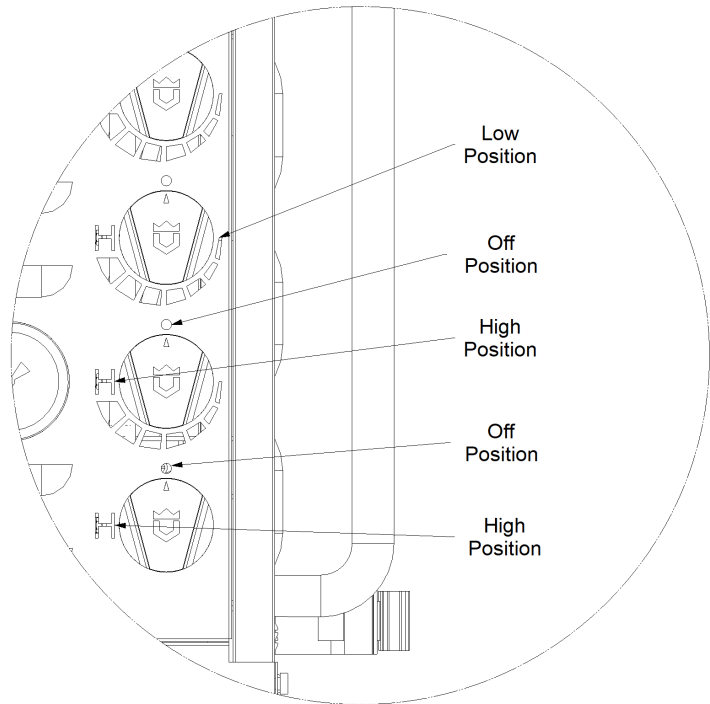


**FIGURE 2. CONTROL DETAILS**

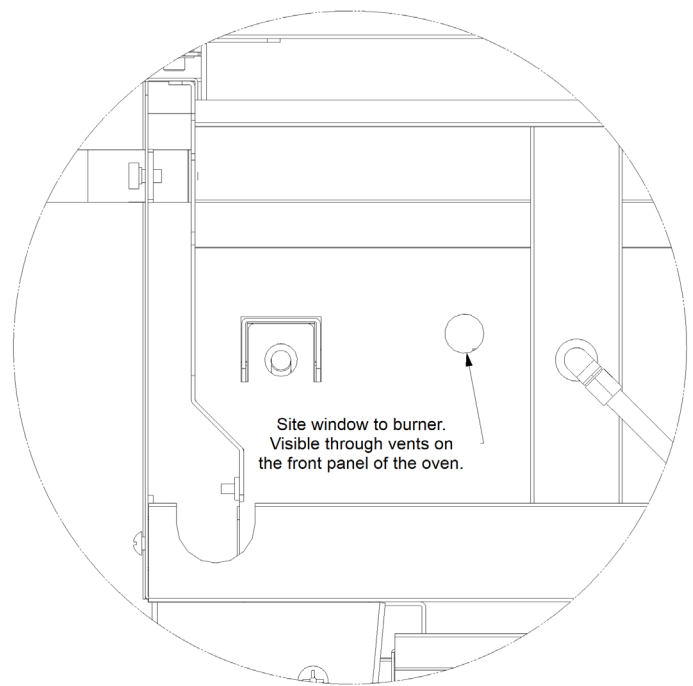
### Manual Lighting Procedure:

- Open the pizza oven doors and position on the sides of the oven.
- Make sure the main burner valve is the OFF position (See Figure 3.).
- Turn the main gas supply on and wait 15 seconds.
- Turn the pilot valve to the on position.
- Insert a barbecue lighter into the hole located behind the wing door on the face of the pizza oven (see Figure 4).
- Visually inspect to see that the pilot tube is lit.
- Turn the main burner valves on to the desired temperature setting. (See general operating procedures for guidelines on how to determine ideal temperature settings). Ignition should take place within 4 to 5 seconds. Verify that the burners are lit by looking through the site windows on the face of the oven (See Figure 5.). If the burners do not light within this time, turn the temperature knob to the OFF position and wait 5 minutes for the gas to dissipate before trying again. If the appliance will not light after multiple attempts, refer to the troubleshooting section of this manual.

**FIGURE 3. VALVE POSITIONS**



**FIGURE 4. MANUAL LIGHTING ACCESS**



**FIGURE 5. BURNER SITE WINDOW**



## Burner Adjustments

Every burner is tested and adjusted at the factory for proper performance. If a burner is not operating properly, it may be due to variations in the local gas supply or because of an obstructed air shutter or orifice. Flames should be stable without lifting from the burner. The flames should burn cleanly without creating any sooty residue.

### **Burner Flame Characteristics:**

- The flame should be blue and stable with only a small amount of orange, if any, at the tips. There should be little noise and no lifting.
- The inner cone should be 1/4 inch high.
- The outer cone should be 5/8 inch high.

**Visually inspect the flames in your pizza oven and adjust if necessary, using the instructions below.**

**IMPORTANT:** A sooty flame is usually caused by dirt, debris or spider nests blocking the air shutter or orifice. This is a dangerous condition. The pizza oven should NOT be used until the problem is rectified. If you are not comfortable addressing the issue yourself, please hire a licensed technician or contact Crown Verity Service at 1-888-505-7240.

### **To Clean the Air Shutter:**

Turn off the gas supply shutoff valve or close the main valve on the LP cylinder. Ensure the pizza oven control knobs are in the OFF position.

If your pizza oven is equipped with side and or front shelves, remove the shelves and carefully place them on their backs to avoid scratching the surfaces. Next, remove the faceplate of the burner box by removing the four screws on the outside edge of the face. Once the four screws are removed, gently lift up and forward to remove the face. Place the face down on its back to avoid surface scratches.

The shutter is located at the end of the burner tubes closest to the gas orifice.

Use a flashlight to view the screened openings of the air shutter from and remove any obvious obstructions from the screen protecting the air shutter.

### **To Adjust the Air Shutter:**

Leave the gas supply shutoff valve in the OFF position or leave the main valve on the LP cylinder in the closed position. The pizza oven control knobs should also remain in the OFF position.

With the face removed, you will also need to remove the cooking stones to have clear access to the burners.

Using a screwdriver, loosen the lock screw (see Figure 6). Be careful not to remove the lock screw. Once loose, you can rotate the air shutter to adjust the amount of air entering the venturi.

Turn on the gas supply valve or open the main valve on the LP cylinder. Following the lighting instructions, light the burners to be adjusted.

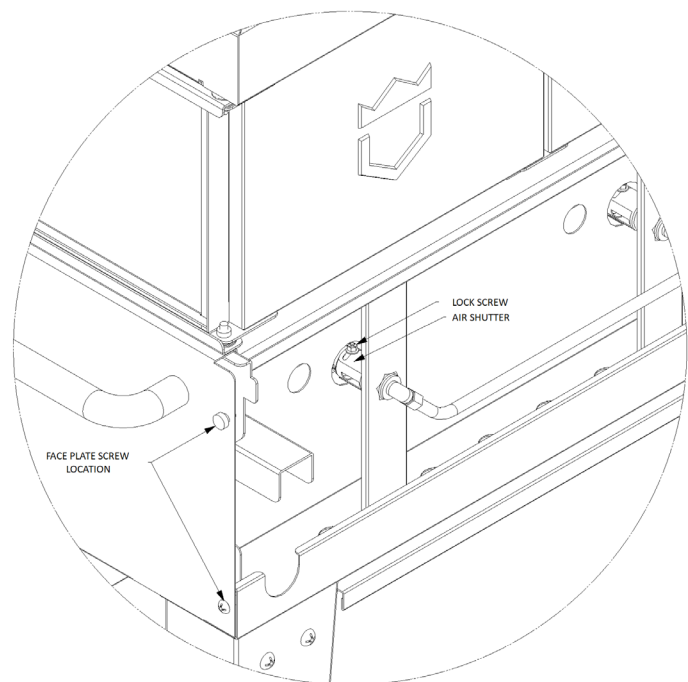
**IMPORTANT:** Use caution when handling the burner tubes as they can get very hot. The adjacent surfaces can also get very hot and can cause severe burns. Use caution when handling components and use protective gloves.

Check that the flame is mostly blue - some random yellow flecks are normal, as is a muffled “pop” when the burner is turned off.

If the flames are mostly yellow or are noisy and lift off the burner ports, rotate the air shutter to progressively reduce the amount of air entering the venturi. Continue to close the air shutter until the flame no longer lifts from the burner. For a sooty flame, progressively open the air shutter until the flame burns cleanly.

Once adjusted to a stable flame that burns cleanly and does not lift, turn the pizza oven control knob to the OFF position. Tighten the lock screw. Re-light and confirm the adjustment is good. Once confirmed, replace the cooking stones and faceplate.

**FIGURE 6. SHUTTER ADJUSTMENT**

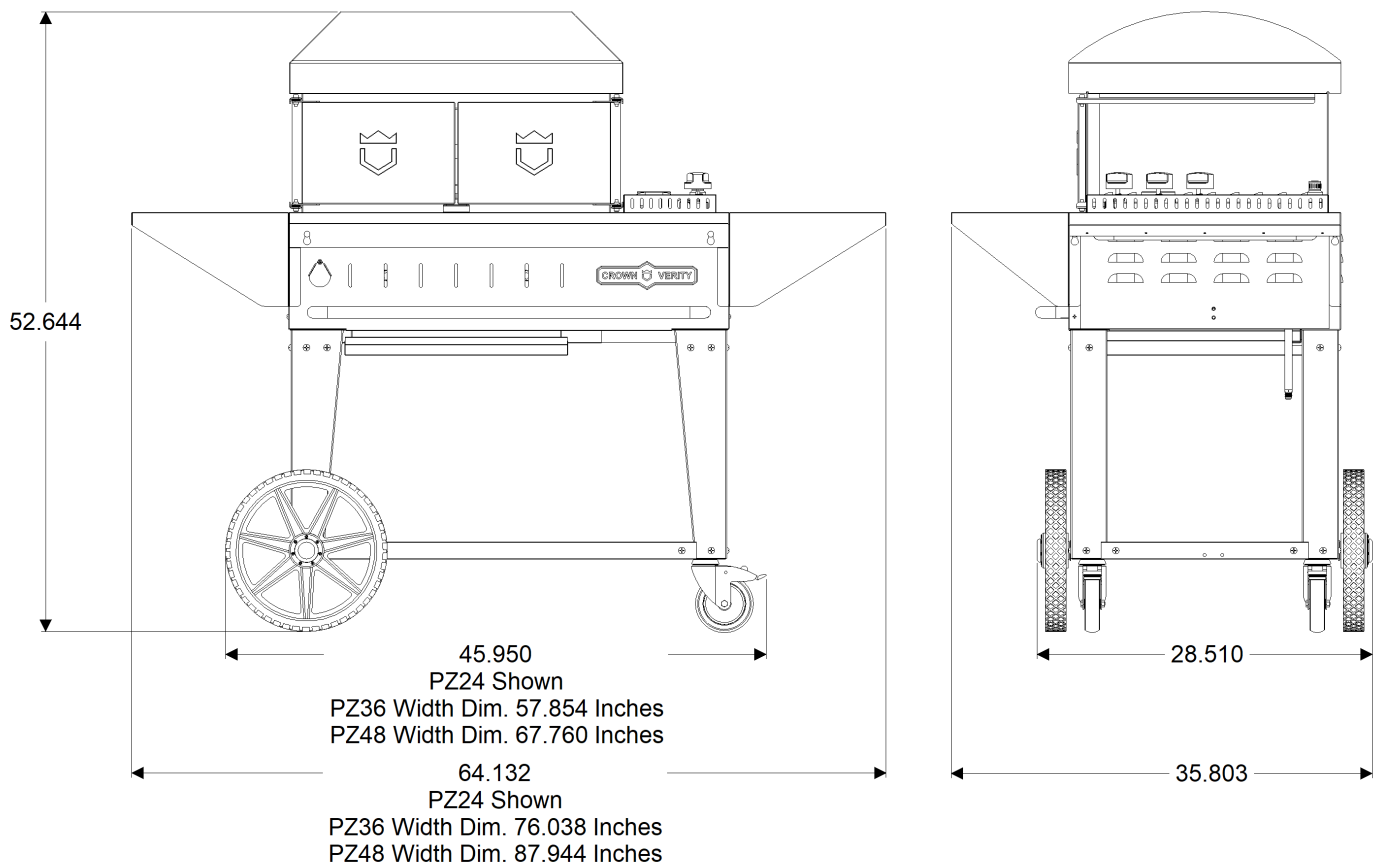


**IMPORTANT:** Always ensure that the brass orifices are inserted into the holes in the ends of the air shutters and centered.

## Pizza Oven Dimensions

- Do not “build-in” the pizza oven.
- Maintain at least 12 inches clearance to the sides and back, and 12 inches clearance to the top for proper ventilation.
- Do not install beneath any overhead combustible structure.
- For outdoor use only.

**FIGURE 7. PRODUCT DIMENSIONS**

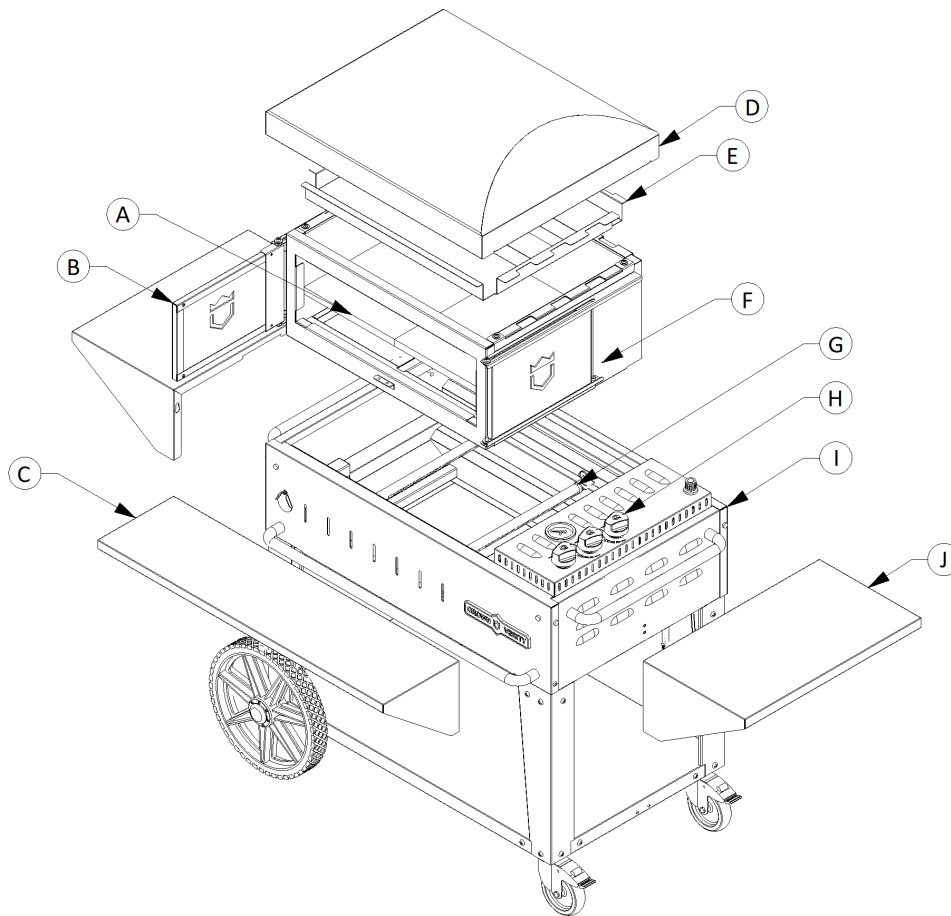


## Oven Assembly

For easier care and service, your Pizza Oven stacks together. No tools are required for disassembly.

- A. Cooking Stones
- B. Retractable Wind Guard
- C. Optional Front Shelf
- D. Oven Dome
- E. Heat Deflector
- F. Oven Cabinet
- G. Gas Burners
- H. Temperature Gauge and Control Knobs
- I. Mobile Burner Cabinet/Fire Box
- J. Optional Side Shelves

**FIGURE 8. OVEN ASSEMBLY**



**WARNING:** The crumb tray will become hot during operation. To avoid burns, be certain the oven is cool before touching the tray, or use an appropriate cooking mitt.

## Caring for Your Pizza Oven

### Stainless Steel Care:

The Crown Verity Pizza Oven is built from 304 stainless steel, which is a high-quality, non-magnetic stainless steel that is very corrosion resistant. It is also a highly-sanitary surface. The stainless steel components of your pizza oven are warranted for life against structural deterioration or failure. With proper care, your pizza oven should last a lifetime. The stainless steel may discolor from the intense heat. This condition is normal.

Always clean your stainless steel pizza oven with a mild, food-safe, organic degreaser, followed by a stainless steel polish. **Always scrub with the grain, never across.** Remove all cleaner residue before lighting the pizza oven in order to avoid a build-up of film from the cleaner.

**SALT WATER ENVIRONMENTS:** 304 Stainless steel is corrosion resistant but is not impervious to rust in salt-water environments. Exposure to salt air and sea spray will eventually damage the appliance if not cared for properly. The best thing you can do to protect it is to clean it frequently. Don't give the salt time to establish the chemical reaction that contributes to rust. In salt air environments, we recommend cleaning all stainless steel surfaces at least every two weeks to keep your oven in prime condition. When not in use, we recommend that you keep the cover on the appliance.

### Cooking Stone Care:

Clean the cooking stones with a long-handled brass brush. It is best to do this while the cooking stones are hot.

- Wear long, insulated gloves and use caution when doing so.
- Never cook greasy, oily or buttery foods directly on the cooking stones. Never use cleaners on the cooking stones.
- Do not cook frozen pizza on the cooking stones.
- Never drop the cooking stone or cause sudden impact. The stone will most likely crack.



## Caring for Your Pizza Oven (Cont'd)

### Orifice Cleaning:

Clogged orifices create a dangerous condition that must be resolved before the pizza oven may be used. If you are not entirely comfortable with the procedure, please use a licensed technician or contact Crown Verity customer service at 1-888-505-7240

The orifices can be accessed once the burners are removed. Remove the brass orifice using a 1/2 inch ratcheting socket wrench.

Shine a flashlight through the orifice to look for any obstructions. Remove obstructions with a needle. Use extreme care not to enlarge the hole. Reinstall and tighten the orifice. Re-install the burner ensuring it is centered on the orifice. Test fire the burners and check for proper flame characteristics.

### Igniter Batteries:

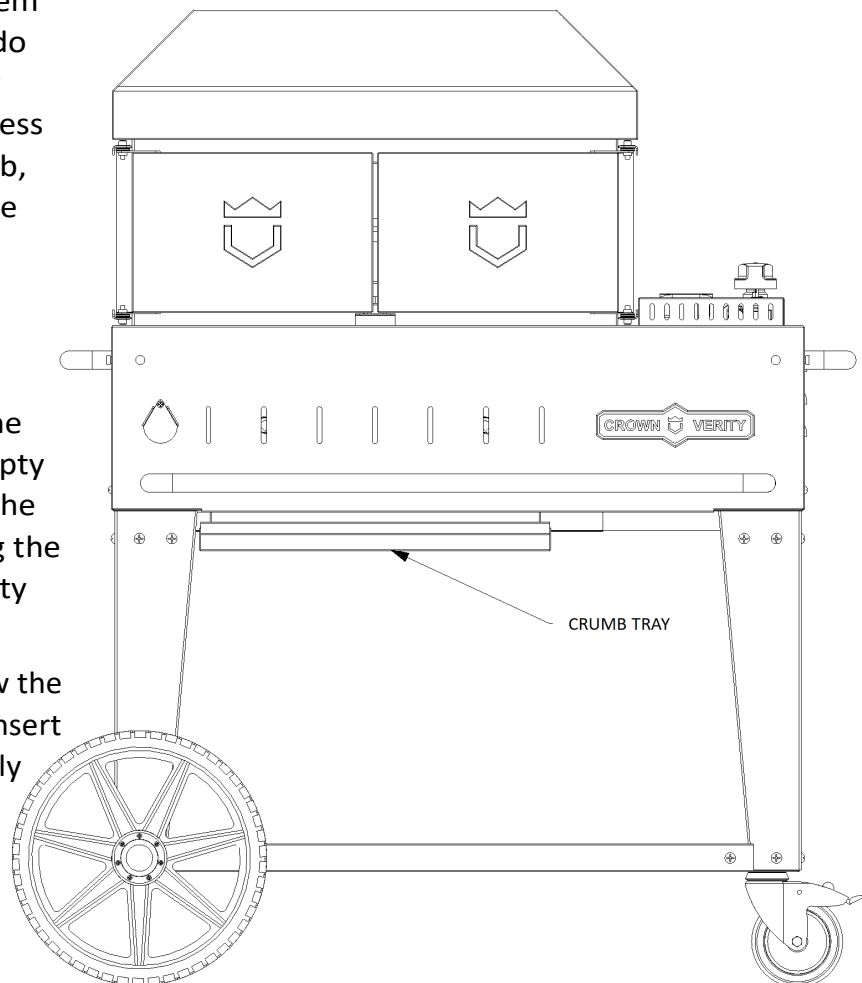
The electronic ignition system is battery operated. If you do not hear a rapid and strong clicking sound when you press and hold the operating knob, you may need to change the batteries.

### Emptying the Crumb Tray:

**WARNING:** The crumb tray gets extremely hot when the pizza oven is operating. Empty the crumb tray only when the oven is cool. Before lighting the oven is a good time to empty the tray.

The tray hangs on rails below the fire box. After cleaning, re-insert fully making sure it is properly seated on the rails.

FIGURE 10. CRUMB TRAY



## Troubleshooting

The troubleshooting tips here are for general information only. The information may save you the trouble of a service call. If your pizza oven requires service, contact Crown Verity customer service at 1-888-505-7240.

### **Pizza oven won't light:**

- Do you hear a rapid clicking noise when you press and hold the electronic ignition button? If there is no clicking, or the clicking is slow or faint, replace the ignition batteries (refer to the Caring for Your Pizza Oven section of the manual).
- If you do hear rapid clicking, but the pizza oven won't light with the electronic ignition, try manually lighting the oven (follow the instructions in the Lighting Your Pizza Oven section of this manual). If the oven does not light manually, there may not be any gas getting to the burners. Turn the pizza oven control knobs to the OFF position. Confirm that the pizza oven is connected to the gas supply, that the main gas supply is on, or that the LP cylinder is not empty.

### **Pizza oven won't get to temperature:**

If the oven does not get to operating temperature within 30 minutes of starting, the burners may not be getting sufficient gas flow.

- If possible re-orient the oven to ensure that excessive wind is not affecting performance.
- Leaving the burner valve open before opening the cylinder valve may cause the flow control device to activate. Close all valves and follow the lighting procedures.
- LP cylinder does not have enough gas to deliver proper pressure. Change the tank if necessary. In some situations, in cold ambient temperatures, an LP cylinder will ice up, creating a drop in pressure. If this happens, turn off the tank and let it warm up before trying again. A full tank is less likely to ice up than a tank that is less than half full.
- Check that the Main gas supply is fully on and not only partially opened.
- Orifices are clear and not clogged. A clogged orifice creates a dangerous situation. Do not use the pizza oven until the issue has been resolved (See Caring for Your Pizza Oven).

### **Pizzas stick to the cooking deck:**

- The oven is most likely not hot enough when the pizza is put in. Pizzas are also more likely to stick when they are cold. The cooking deck must be hot, and pizza dough should ideally be at room temperature before putting it in the oven.

### **The oven is producing a lot of smoke:**

- This is typically caused by something oily getting onto the cooking deck. If this happens, the only thing you can do is to try and burn it off. Oily foods should never be placed directly on the cooking deck. Burnt cheese or other solids can be scraped or brushed off the cooking deck.



## Installation Checklist

Installer should initial next to each item:

- Specified clearances maintained
- Initial assembly completed — all tape and internal packaging removed
- Crumb tray installed
- Control knobs installed
- Cooking stones installed
- Igniters click when operating knob is pressed
- Pilot and Burner Tubes light
- Gas pressures have been set in accordance with the rating plate on the oven.
- Manual shutoff valve is installed and accessible
- Owner informed of shutoff valve location
- Unit and supply connections have been tested and are free of leaks
- Leave this Manual with the owner

Please ensure the installer completes the checklist, explaining each item to you. The installer should initial each item above and sign below.

---

Installer Signature

Date