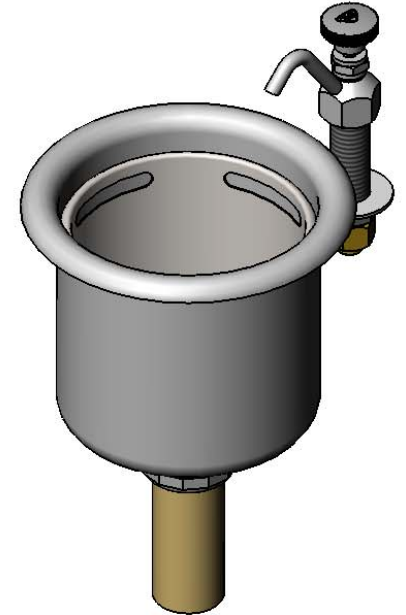
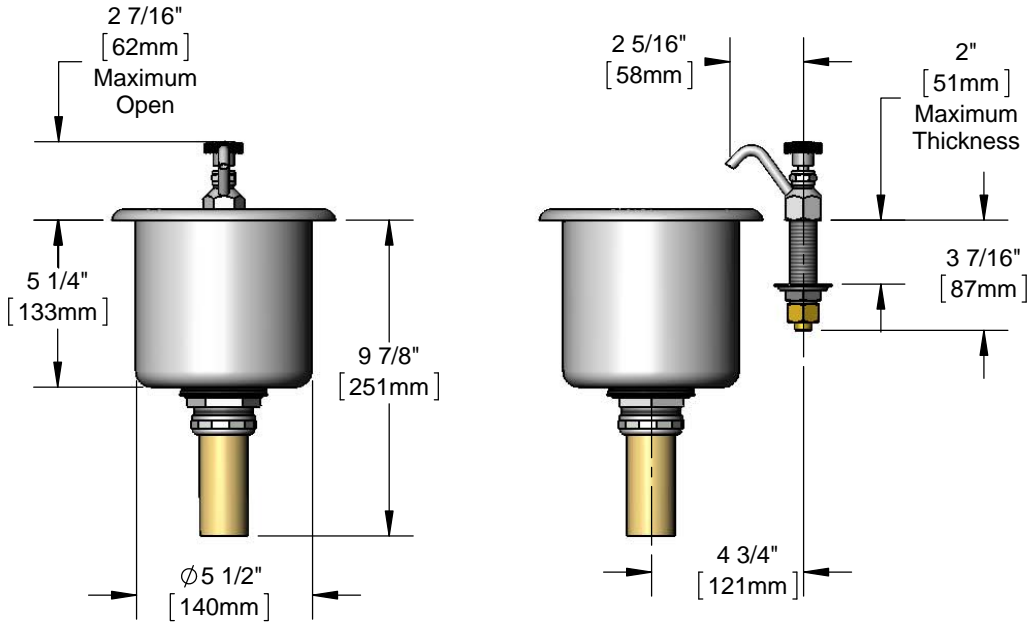




**Architect/Engineering Specifications:**

Dipperwell faucet with polished chrome plated brass body with spout, polished chrome plated knob and 1/2" NPSM male inlet with 5/16" I.D. sweat fitting connection, stainless steel bowl with stainless steel removable inner overflow cup and Ø1 1/2" brass tailpiece. Certified to ASME A112.18.1/CSA B125.1, NSF 61-Section 9 and NSF 372

Job Name \_\_\_\_\_  
 Model Specified \_\_\_\_\_ Quantity \_\_\_\_\_  
 Variations Specified \_\_\_\_\_  
 Date \_\_\_\_\_



**Features & Benefits:**

- Dipperwell faucet with polished chrome plated brass body with spout
- Polished chrome plated knob
- 1/2" NPSM Male inlet with 5/16" I.D. sweat fitting connection
- Stainless steel bowl
- Stainless steel removable inner overflow cup
- Ø1 1/2" x 4" brass tubular tailpiece
- Material: polished chrome plated brass body w/ tubular spout & knob, stainless steel bowl & inner cup and brass tailpiece

**Product Compliance:**

- ASME A112.18.1 / CSA B125.1
- NSF 61 - Section 9
- NSF 372 (Low Lead Content)



**Warranty:** One Year (Limited)

**Performance Data:**

- Pressure: 20 - 125 psi
- Temperature: 40°F - 140°F
- Flow Rate:  
 Faucet: 7.08 GPM @ 60 psi  
 Drain: 18.0 GPM @ 60 psi

