



Job _____ Item No. _____

Star-Max® Manual & Embedded Thermostatic Gas Griddles

Manual 615MF 624MF 636MF 648MF

Embedded Modulating Thermostat (Polished Steel) 615TF 624TF 636TF 648TF

Embedded Modulating Thermostat (Chrome Plate) 624TCHSF 636TCHSF 648TCHSF

Embedded Electric Snap-Action Thermostat w/Pilot Safety 624TSPF 636TSPF 648TSPF



636TF

DESCRIPTION

Star-Max® manual gas griddles are a perfect match for the budget minded operator. For breakfast, lunch or dinner, the Star-Max manual control griddles out-perform the competition. Star-Max® griddles feature 1" thick polished steel griddle plate and are available in 15", 24" 36" and 48" widths. 28,300 BTU aluminized burner every 12" of width controlled by a modulating thermostatic, 3/4" N.P.T. male gas connection with convertible pressure regulator, and 4" adjustable legs. Griddles operate on Natural or Propane gas.

SPECIFICATIONS

Gas griddles are constructed with stainless steel panel and double wall aluminized steel side panels. Griddle plate is 1" (2.54 cm) thick, 4-1/2" high tapered wrap-around stainless steel splash guard come standard. Unit has a 3-1/4" (8.3 cm) wide front grease trough with grease chute and a 4-1/2 quart (4.26 L) stainless steel grease drawer. Unit is heated by 28,300 BTU aluminized steel burner for every 12" (30.5 cm) of griddle width and is controlled by a modulating thermostat embedded into griddle plate. Thermostat knobs are protected by a stainless steel bull nose front. An automatic safety pilot is provided for each burner. Griddles are supplied with 4" (10.2 cm) high die cast nickel plated steel legs that have a 1-3/8" (3.5 cm) adjustment. Gas connection is 3/4" N.P.T. male and a convertible pressure regulator is provided. Units are approved for installation within 6" (15.2 cm) of combustible and non-combustible surfaces and are UL Gas certified and UL EPH sanitation listed.

WARRANTY

These units come with a two [2] year warranty for parts and labor.

FEATURES

- Highly polished 1" thick polished steel or chrome plate
- Modulating thermostat inserted into the griddle plate 3/16" from the cooking surface, adjusts from 150° to 450°F providing quick response to surface temperature change
- Available in 15", 24", 36" and 48" widths
- Heavy duty chrome plated cast zinc knobs
- 28,300 BTU aluminized U-shaped steel burner every 12" of cooking surface provide even heat distribution
- Heavy-duty all-welded body construction with stainless steel front, bull nose and 4-1/2" high tapered splash guard
- Cool-to-the-touch stainless steel bull nose front provides knob protection and comfortable work zone
- Spatula wide 3-1/4" front grease trough and grease chute for easy cleaning
- Large 4-1/2 quart stainless steel grease drawer
- All units shipped for Natural Gas Service with LP conversion kit and reversible regulator
- Heavy-duty 4" adjustable legs

CERTIFICATIONS



STAR MANUFACTURING INTERNATIONAL INC.

10 Sunnen Drive • Saint Louis, Missouri 63143
Telephone 800 264 7827 • Fax 314 781 5445
www.star-mfg.com

Printed in the U.S.A. • 2M-ZZxxxx • Rev - • 3.2017
Specifications are subject to change without notice
and are not intended for installation purposes.



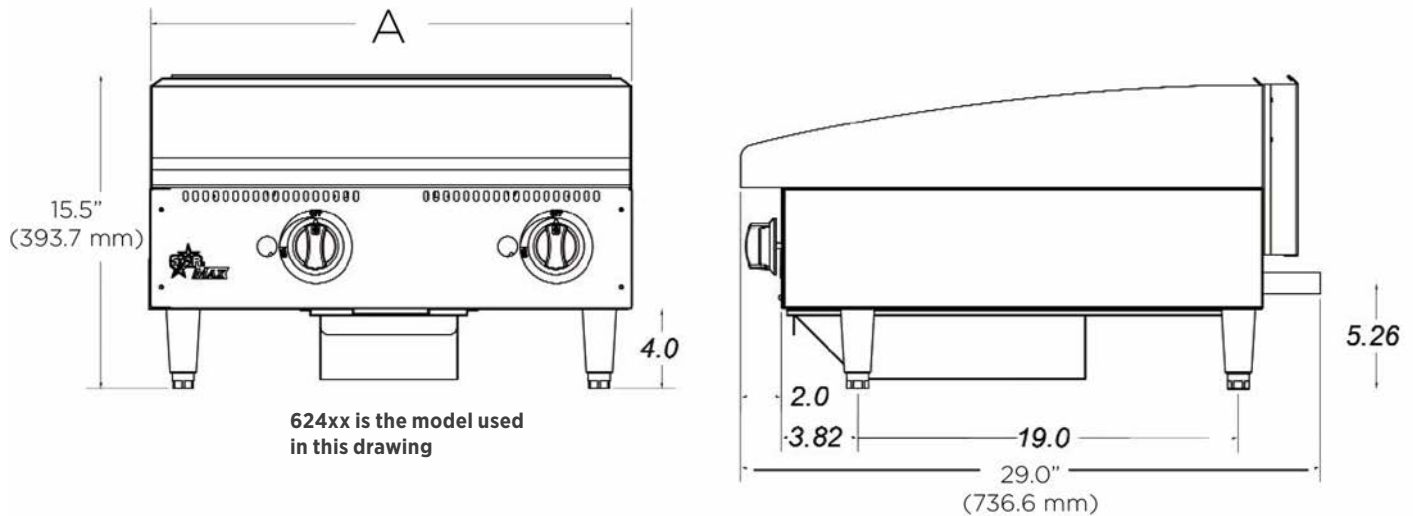
Star-Max[®] Manual & Embedded Thermostatic Gas Griddles

Manual □615MF □624MF □636MF □648MF

Embedded Modulating Thermostat (Polished Steel) □615TF □624TF □636TF □648TF

Embedded Modulating Thermostat (Chrome Plate) □624TCHSF □636TCHSF □648TCHSF

Embedded Electric Snap-Action Thermostat w/Pilot Safety □624TSPF □636TSPF □648TSPF



CLEARANCES

These units can be installed on non-combustible countertops using the provided four [4] inch (102 mm) legs or on a combustible floor using a minimum 27-inch (636 mm) tall stand. The back and both sides must be at least six [6] inches (152.4 mm) from any combustible surface.

MODEL	WIDTH [A] in. (mm)	DEPTH in. (mm)	HEIGHT in. (mm)	BTU ¹	PLATE DEPTH	APPROX. SHIP WEIGHT	APPROX. WEIGHT INSTALLED
615	15.0 (381.0)	29.0 (736.6)	15.5 (393.7)	28,300	20.5" (520.7 mm)	83 lb. (37.7 kg)	90 lb. (40.8 kg)
624	24.0 (610.0)	29.0 (736.6)	15.5 (393.7)	56,600		165 lb. (74.8 kg)	175 lb. (79.4 kg)
636	36.0 (914.4)	29.0 (736.6)	15.5 (393.7)	84,900		247 lb. (112.0 kg)	262 lb. (118.8 kg)
648	48.0 (1219.4)	29.0 (736.6)	15.5 (393.7)	113,200		330 lb. (149.7 kg)	350 lb. (158.8 kg)

¹All units ship for Natural Gas service. Propane conversion kits included

Due to periodic changes in designs, methods, procedures, policies and regulations, the specifications contained in this sheet are subject to change without notice. While Star Manufacturing exercises good faith efforts to provide information that is accurate, we are not responsible for errors or omissions in information provided or conclusions reached as a result of using the specifications. By using the information provided, the user assumes all risks in connection with such use.