

## ***Heat Lamps With Adjustable Arm(s) & Built-In Power Receptacle ~ Model (E Series)***

### ***General Description:***

Units are available in a single or double lamp with adjustable arm(s). Equipped with a weighted base for stability. Lamps feature a handy receptacle for use with our Warming Trays. The stainless steel, polished finish pair perfectly with other Spring USA accessories.

### **Product Specifications:**

#### ***2791-6E Single Heat Lamp, With Adjustable Arm & Power Receptacle at Base of Post***

Power: 110V, 60Hz, 250 watts, 2.1 amps,  
Power Cord: Complete 6 foot cord with plug (NEMA 5-15)  
Shipping Weight: 16 lbs  
Dimensions: See Diagram Below

2791-6E Single Heat Lamp, 18/8 Stainless Steel, Polished Finish



#### ***2792-6E Double Heat Lamp, With Adjustable Arms & Power Receptacle at Base of Post***

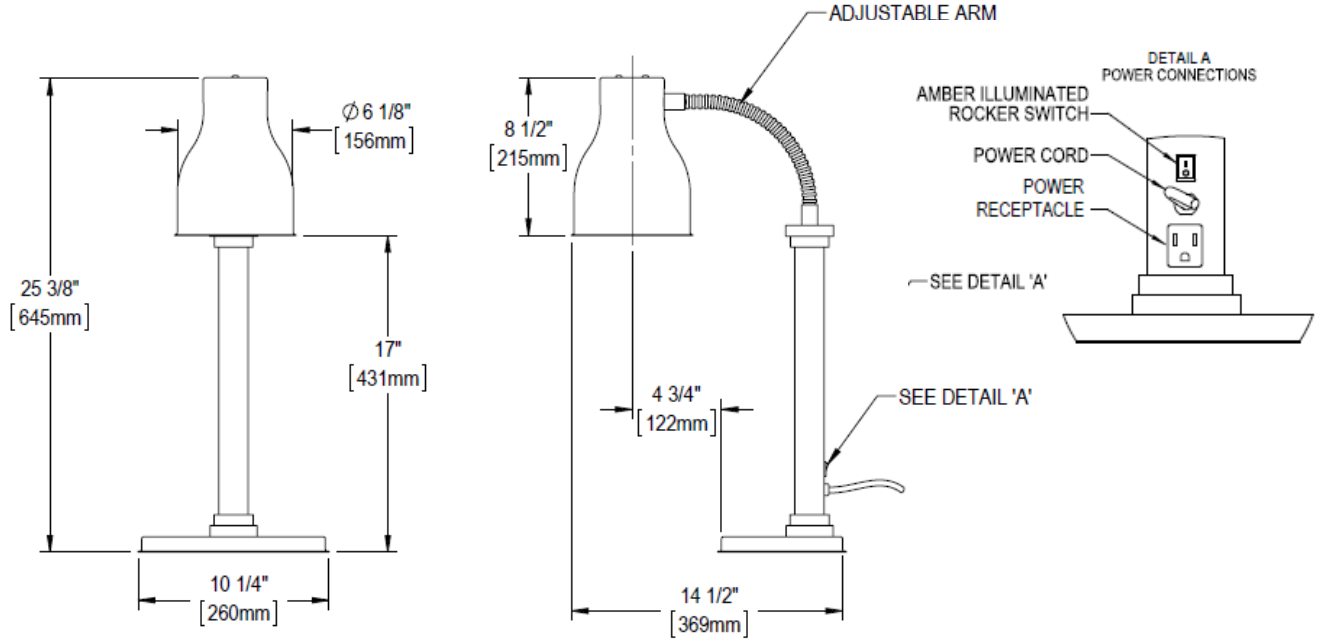
Power: 120V, 60Hz, 250 watts x 2, 4.2 amps  
Power Cord: Complete 6 foot cord with plug (NEMA 5-15)  
Shipping Weight: 21 lbs  
Dimensions: See Diagram Below

2792-6\* Double Heat Lamp, 18/8 Stainless Steel, Polished Finish



**Product Specifications:**

**2791-6E Single, Adjustable Arm Heat Lamp**



**2792-6E Double, Adjustable Neck Heat Lamp**

