

# Cuisinart®

INSTRUCTION  
BOOKLET



**Deluxe Stainless Steel Can Opener**

**SCO-60C**

For your safety and continued enjoyment of this product, always read the instruction book carefully before using.

---

# IMPORTANT SAFEGUARDS

When using electrical appliances, basic safety precautions should always be followed including the following:

1. **READ ALL INSTRUCTIONS.**
2. **Unplug from outlet when not in use, before putting on or taking off parts, and before cleaning.**
3. To protect against risk of electrical shock, do not put this appliance in water or other liquids. This may cause personal injury and/or damage to the product.
4. Extreme care should be taken when any product is used near children and individuals with certain disabilities. Keep out of reach of children when not in use.
5. Avoid contacting moving parts.
6. Do not operate any appliance with a damaged cord or plug, or after the appliance malfunctions, or is dropped or damaged in any manner. Return appliance to the nearest Authorized Service Centre or phone Cuisinart Customer Service at 1-800-472-7606.
7. The use of attachments not recommended or sold by Cuisinart may cause fire, electrical shock, or risk of injury. Only use the power adapter supplied with this product.
8. Do not use outdoors.
9. Do not let cord hang over edge of table or counter, or touch hot surfaces. Arrange the power cord away from an area where it may be tripped over.
10. Do not open pressured (aerosol type) cans.
11. Do not open cans of flammable liquids such as lighter fluid.
12. Do not use can opener for other than intended use.
13. Do not leave unattended while in use.
14. This appliance is intended for household use only and not for commercial or industrial use.
15. Caution: Do not immerse in water.
16. DO NOT allow children access to the plastic packaging bags.
17. Check the household voltage to ensure that it matches the appliance's rated specification.
18. Do not operate your appliance in an appliance garage or under a wall cabinet. **When storing in an appliance garage, always unplug the unit from the electrical outlet.** Not doing so could create a risk of fire, especially if the appliance touches the walls of the garage or the door touches the unit as it closes.
19. Do not place appliance on or near hot gas or electric burner or in a heated oven.

## SAVE THESE INSTRUCTIONS FOR HOUSEHOLD USE ONLY

## NOTICE

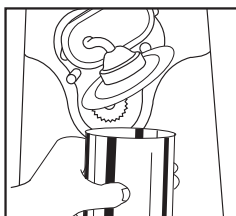
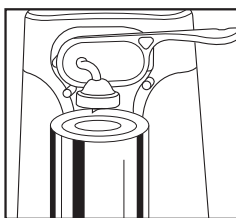
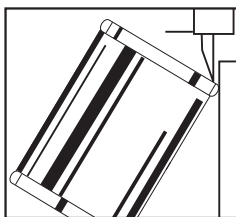
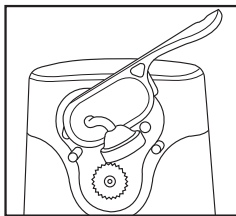
This appliance has a polarized plug (one blade is wider than the other). As a safety feature, this plug will fit in a polarized outlet only one way. If the plug does not fit fully in the outlet, reverse the plug. If it still does not fit, contact a qualified electrician. Do not attempt to defeat this safety feature.

## INTRODUCTION

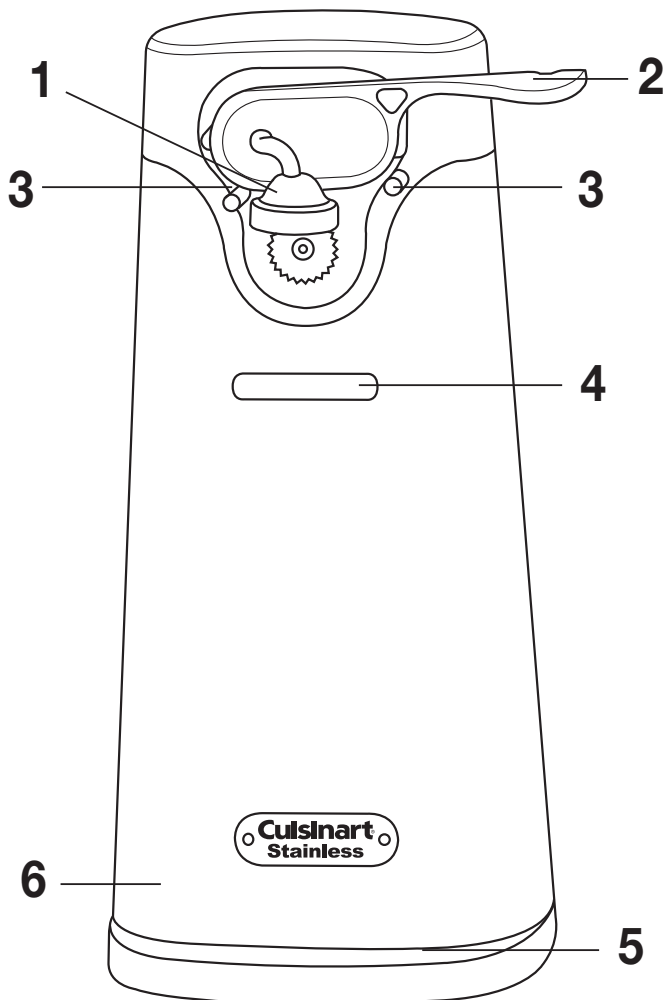
Congratulations! You now have a can opener you'll be proud to display on your kitchen counter. This very contemporary Cuisinart® Can Opener is constructed of sturdy stainless steel, with smooth lines and an extra-wide base. Good looking, and almost impossible to tip, it requires only a quick press of the lever to operate. Opening cans has never been easier.

## OPERATING INSTRUCTIONS

1. Plug cord into outlet.
2. Raise can opener lever.
3. Position the can under the guiding posts and lower the lever, making sure the Power Cut™ blade is positioned inside the rim of the can.
4. Once the Power Cut™ blade pierces the can, cutting begins. There is no need to hold the lever down during cutting.
5. Cutting action will automatically stop, once can is completely open.
6. Can will remain in position until lever is lifted.



7. To remove can, hold can firmly with one hand while lifting lever with the other.
8. Carefully remove lid from magnet.

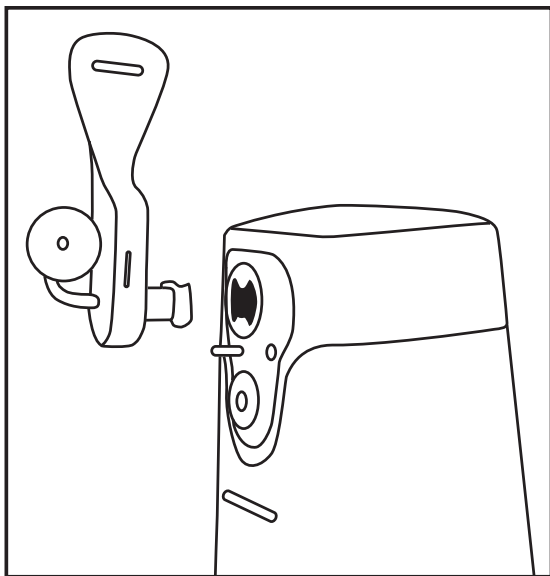


1. Power Cut™ Blade Assembly
2. Can Opener Lever
3. Guiding Posts
4. Can Stop
5. Base
6. Cord Storage (not shown)

---

## CLEANING AND MAINTENANCE

1. Be sure the plug has been removed from outlet.
2. Remove can opener lever by lifting and pulling toward you. Wash by hand with hot, sudsy water or place in the top shelf of a dishwasher. Dry thoroughly.
3. Wipe body of can opener with damp cloth. (Caution: Do not immerse in water.)
4. Replace can opener lever by holding in the upright position and snapping back into place.
5. Always unplug the appliance from the main outlet before cleaning.
6. Make sure all the parts are clean and dry before storing.
7. Never immerse power adapter or housing in water or any other liquids.
8. Never submerge the motor base in water or other liquids, or place in a dishwasher.
9. Any other servicing should be performed by an authorized service representative.



## SUGGESTIONS

This can opener will open all standard size cans. It should not be used on cans that have alternate methods of opening (including but not limited to pull-tabs, rolling key and peel-off foil). It also should not be used with rimless cans or cans with angled corners.

Cans with aluminum lids will not adhere to magnet.

If there is a dent in the rim of the can, open other side or place the Power Cut™ blade beyond the dent. If the can opener stalls, use a light touch to turn the can to aid the cutting process.

---

## **WARRANTY**

### **LIMITED THREE-YEAR WARRANTY**

We warrant that this Cuisinart product will be free of defects in materials or workmanship under normal home use for 3 years from the date of original purchase. This warranty covers manufacturer's defects including mechanical and electrical defects. It does not cover damage from consumer abuse, unauthorized repairs or modifications, theft, misuse, or damage due to transportation or environmental conditions. Products with removed or altered identification numbers will not be covered.

This warranty is not available to retailers or other commercial purchasers or owners. If your Cuisinart product should prove to be defective within the warranty period, we will repair it or replace it if necessary. For warranty purposes, please register your product online at [www.cuisinart.ca](http://www.cuisinart.ca) to facilitate verification of the date of original purchase and keep your original receipt for the duration of the limited warranty. This warranty excludes damage caused by accident, misuse or abuse, including damage caused by overheating, and it does not apply to scratches, stains, discolouration or other damage to external or internal surfaces that does not impair the functional utility of the product. This warranty also expressly excludes all incidental or consequential damages.

Your Cuisinart product has been manufactured to the strictest specifications and has been designed for use only in 120 volt outlets and only with authorized accessories and replacement parts. This warranty expressly excludes any defects or damages caused by attempted use of this unit with a converter, as well as use with accessories, replacement parts or repair service other than those authorized by Cuisinart.

If the appliance should become defective within the warranty period, do not return the appliance to the store. Please contact our Customer Service Centre:

Toll-free phone number: 1-800-472-7606

Address:

Cuisinart Canada

100 Conair Parkway

Woodbridge, Ont. L4H 0L2

Email: [consumer\\_Canada@conair.com](mailto:consumer_Canada@conair.com)

### **Model: SCO-60C**

To facilitate the speed and accuracy of your return, please enclose:

- \$10.00 for shipping and handling of the product (cheque or money order)
- Return address and phone number
- Description of the product defect
- Product date code\*/copy of original proof of purchase
- Any other information pertinent to the product's return

\* Product date code can be found on the underside of the base of the product. The product date code is a 4 or 5 digit number. Example, 90630 would designate year, month & day (2009, June 30th).

Note: We recommend you use a traceable, insured delivery service for added protection. Cuisinart will not be held responsible for in-transit damage or for packages that are not delivered to us.

To order replacement parts or accessories, call our Customer Service Centre at 1-800-472-7606.

For more information, please visit our website at [\*\*www.cuisinart.ca\*\*](http://www.cuisinart.ca)

# Cuisinart®

S A V O R T H E G O O D L I F E®



Coffeemakers



Blenders



Juicers



Cookware



Tools and  
Gadgets

Cuisinart offers an extensive assortment of top quality products to make life in the kitchen easier than ever. Try some of our other countertop appliances, cookware, tools and gadgets.

**[www.cuisinart.ca](http://www.cuisinart.ca)**

©2012 Cuisinart  
100 Conair Parkway  
Woodbridge, ON L4H 0L2  
Consumer Call Centre E-mail:  
Centre d'appel des consommateurs  
Consumer\_Canada@Conair.com  
1-800-472-7606  
Printed in China / Imprimé en Chine

12CC134416

Any other trademarks or service marks of third parties referred to herein are the trademarks or service marks of their respective owners.

IB-5736-CAN-C