

## RG-ROM

### REFRIGERATED OPEN MERCHANDISER

#### DESCRIPTION OF STANDARD UNIT:

- Construction of powder-coated steel
- LED lighting
- Double glass sides with serigraphy
- 5 rows of adjustable shelves
- Top lighting
- Night blind
- Price strips
- Forced cooling
- Temp. range\*: 0 ÷ +4°C
- Automatic defrosting
- Automatic water evaporation
- Digital temperature control



Available with doors

#### OPTIONS:

- Multiplexing
- For external condensing unit
- Highlighted shelves
- Stainless steel shelves & base decks
- Back panel from mirrored stainless steel
- Angled mirrored stainless steel roof
- Stoppers: wired or from Plexiglas
- Vertical Plexiglas separator
- Shelf separators (wired)
- Profile with hooks
- Wood casing
- Wheels
- Heater under evaporator
- Sliding glass doors (in standard white frame, for request - black one)
- Hinged Plexiglas doors

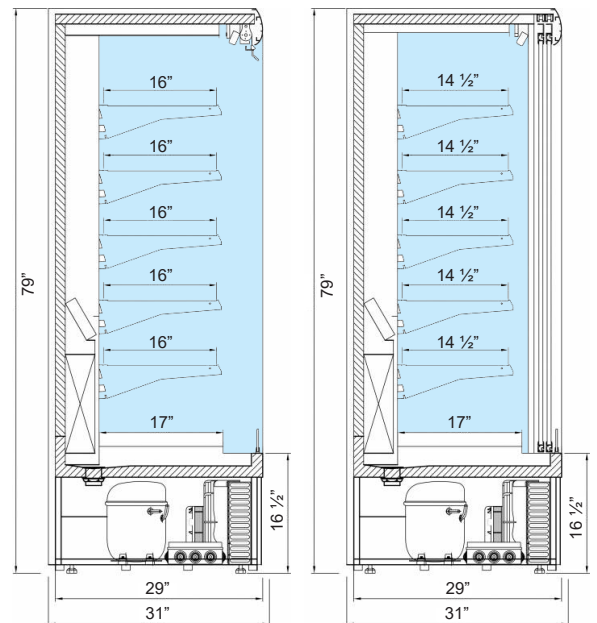
#### SPECIFICATIONS

MODEL	LENGTH	DEPTH	HEIGHT	WEIGHT (LBS / KG)	ELECTRICAL	ELECTRICAL WITH DOORS
RG4-ROM	52 1/8"	31"	79"	513 / 233	115V / 60Hz / 1ph 15 AMP	115V / 60Hz / 1ph 12 AMP
RG5-ROM	62 1/4"			641 / 291	115V / 60Hz / 1ph 15 AMP	115V / 60Hz / 1ph 15 AMP
RG6-ROM	74 3/4"			769 / 349	220V / 60Hz / 1ph 13.5 AMP	220V / 60Hz / 1ph 8 AMP
RG7-ROM	82 7/8"			897 / 407	220V / 60Hz / 1ph 13.5 AMP	220V / 60Hz / 1ph 8 AMP
RG8-ROM	98 1/2"			1027 / 466	220V / 60Hz / 1ph 13.5 AMP	220V / 60Hz / 1ph 9 AMP



\* Temperature range given for maximum ambient temperature of +25°C and relative humidity 60%.  
 \*\* Cooling power demand: 1500 W/1mr at evaporating temp. -10°C. Automatic water evaporation on request.  
 \*\*\* In version with doors: only top lighting

#### WITH DOORS



#### Available Colors

