

POLAR 2-50

VACUUM PACKAGING MACHINE



FEATURES

- Standard with 2 seal bars (front-back): 2 x 620 mm
- Standard double seal (two wires). Optional without extra costs: Cut-off or Wide seal (10 mm)
- Silicone holders easily removable for cleaning and maintenance purposes
- Pump capacity: 100 m³/h Busch vacuum pump
- Pump maintenance and cleaning program
- Machine cycle: 15-40 sec
- Soft Air to protect the product and vacuum bag
- Standard Digital control with 10 program memory and Time control
- Flat work plate
- Comes with insert plates for a faster cycle and product adjustment
- Stainless steel exterior
- IP-65 classification

OPTIONS

- 1-2 Cut-off/Bi-active seal
- Sensor control, Advanced Control System (ACS), Liquid control
- Gas flush (incl. pressed air connection)
- Preparation for external pump
- Heating element for vacuum valve

ACCESSORIES

- Zebra ZD410 thermal label printer (only in combination with ACS)
- Inclined insert plate

DESCRIPTION

The robust, stainless steel Polar 2-50 vacuum packaging machine is standard equipped with a Busch vacuum pump. This double chamber complies with CE standards.

SEAL BAR CONFIGURATION



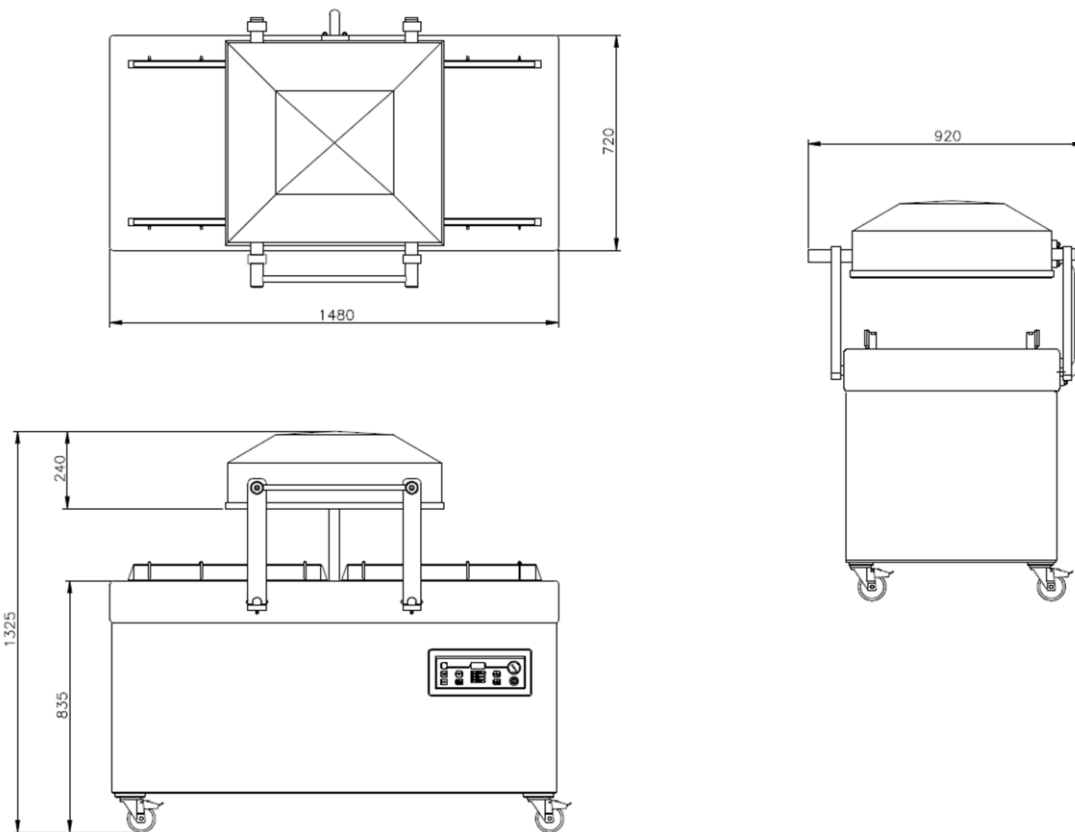
Henkelman offers standard 3 year warranty.

VACUUM PACAGKING MACHINE POLAR 2-50 – SPECS

VACUUM PACKAGING MACHINE POLAR 2-50 – SPEC SHEET

DIMENSIONS

In mm



Model	Dimensions (mm)		Voltage* (Hz)	Pump capacity (m ³ /h)	Power (kW)	Weight (kg)
	Chamber (usable space) L x W x H	Machine L x W x H				
Polar 2-50	500 x 620 x 240	920 x 1480 x 1325	400V-3-50	100	2,6 – 3,5	345

* Other voltages available



HENKELMAN BV
Titaniumlaan 10
5221 CK 's-Hertogenbosch
The Netherlands

Sales support
P +31 73 621 36 71
E info@henkelman.com
Service/technical support
P +31 73 621 36 71
E service@henkelman.com