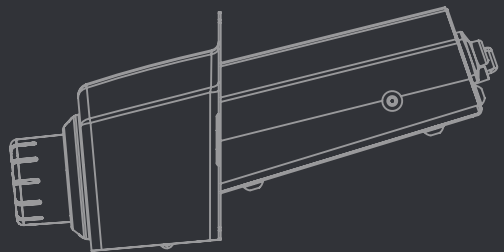




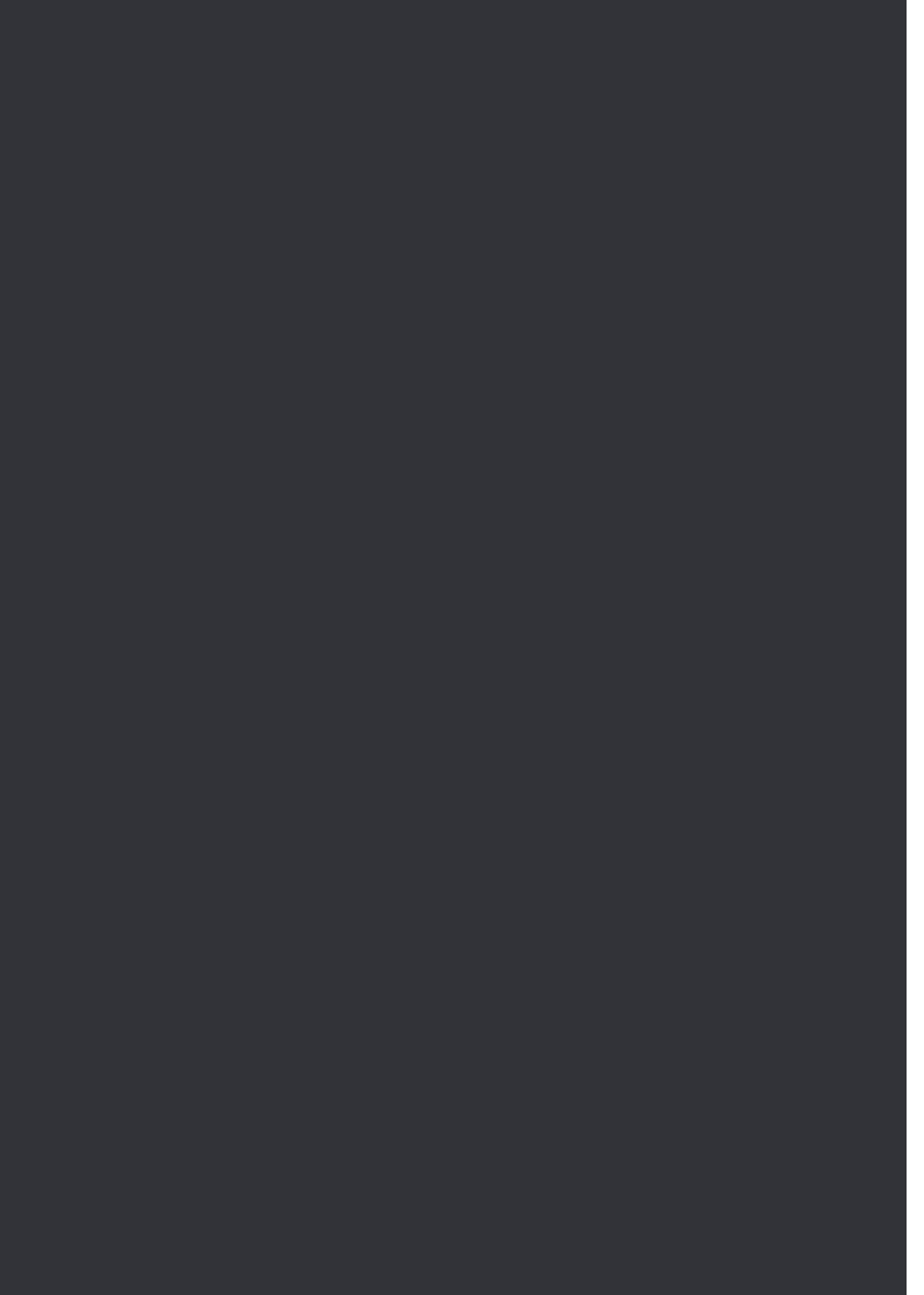
Gas Burner

for Ooni Karu 12

Manual



CSA



Gas Burner

for Ooni Karu 12

Contents

EN	2
ES	15
FR.....	28

⚠ WARNING

To reduce the risk of fire, burn hazard or other injury, read this safety manual carefully and completely before using this appliance.

⚠ WARNING

Before cleaning, make sure the gas supply and control knob is in the OFF position and that the burner and oven has cooled.

⚠ DANGER

Never operate this appliance unattended. If a fire should occur, keep away from the appliance and immediately call your fire department. Do not attempt to extinguish an oil or a grease fire with water.

⚠ DANGER

If you smell gas:

- Shut off gas to the appliance
- Extinguish any open flame
- If odor continues, keep away from the appliance and immediately call your gas supplier or your fire department.

Failure to follow these instructions could result in fire, explosion or burn hazard which could cause property damage, personal injury or death.

⚠ WARNING

FOR OUTDOOR USE ONLY.

⚠ WARNING

- a. Keep the fuel supply hose away from any heated surface(s).
- b. The use of alcohol, prescription or non-prescription drugs may impair the consumer's ability to properly assemble or safely operate the appliance.
- c. Keep children and pets away from the appliance at all times.
- d. Do not move the appliance when in use.
- e. This appliance is not intended for and should never be used as a heater.

⚠ WARNING

- a. Keep the fuel supply hose away from any heated surface(s).
- b. The use of alcohol, prescription or non-prescription drugs may impair the consumer's ability to properly assemble or safely operate the appliance.
- c. Keep children and pets away from the appliance at all times.
- d. Do not move the appliance when in use.
- e. This appliance is not intended for and should never be used as a heater.

⚠ WARNING

Spiders and insects can nest inside the burner of the appliance and disrupt gas flow. Inspect the burner at least once a year.

⚠ WARNING

When using a match to light the appliance, make sure to use the included matchstick holder.

⚠ WARNING

Do not store this appliance indoors unless the gas cylinder is disconnected.

⚠ WARNING

Do not store gas cylinder in a building, garage or any other enclosed area and keep out of reach of children at all times.

⚠ WARNING

This appliance is not intended to be installed in or on recreational vehicles and/or boats.

⚠ WARNING

Check all gas supply fittings for leaks before each use. Do not use the appliance until all connections have been checked and do not leak.

⚠ WARNING

Do not smoke while leak testing. Never leak test with an open flame.

⚠ WARNING

When lighting, keep your face and hands as far away from the appliance as possible.

⚠ WARNING

Minimum clearance from sides of unit to combustible construction is 610mm (24 inches).

Minimum clearance from back of unit to combustible construction is 915mm (36 inches).

⚠ WARNING

This instruction manual contains important information necessary for the proper assembly and safe use of the appliance. Read and follow all warnings and instructions before assembling and using the appliance. Follow all warnings and instructions when using the appliance. Keep this manual for future reference.

⚠ WARNING

This manual states that an oven, fryer or broiler shall not be used on or under any apartment or condominium balcony or deck.

⚠ WARNING

This appliance is not intended to be installed in or on a boat. This appliance is not intended to be installed in or on a recreational vehicle.

⚠ WARNING

Keep the fuel supply hose away from any heated surface(s).

⚠ WARNING

This manual includes an instruction to clean and inspect the hose before each use of the appliance. If there is evidence of abrasion, wear, cuts, or leaks, the hose must be replaced prior to the appliance being put into operation. The replacement hose assembly shall be that specified by the manufacturer.

⚠ WARNING

This appliance shall be used only outdoors, and shall not be used in a building, garage, or any other enclosed area.

⚠ WARNING

This manual includes a list of required parts necessary for the safe operation of the appliance, directions for proper assembly and for assembly of installed parts and accessories supplied with the appliance, and proper procedures for gas leak testing.

⚠ WARNING

The appliance should not be located or used under overhead unprotected combustible construction materials or surfaces. For a grill, fryer or broiler, the minimum clearance shall be at least 10ft (3m) from any structure or combustible material.

⚠ WARNING

Make sure the legs on Ooni Karu 12 are fully extended before use.

⚠ WARNING

To prevent shock, Do not to touch the electrode tip when igniting the burner.

⚠ WARNING

Ensure the chimney vent are fully open during use.

⚠ WARNING

Do not adjust the chimney vent during use.

⚠ WARNING

Keep away from hot exhaust gases coming from the chimney.

⚠ WARNING

Please ensure there is a distance of at least 3.5" / 90mm between the edges of any of the oven legs and the edge of the table surface.

⚠ LP GAS CYLINDER WARNING

1. Do not store spare liquid propane gas cylinder under or near this appliance.
2. Never fill the cylinder beyond 80 percent capacity.
3. Liquid propane cylinder must be fitted with an OVERFILL PROTECTION DEVICE (OPD).
4. If the information above is not followed exactly, a fire resulting in death or serious injury may occur.
5. This manual states that the installation must conform with local codes or, in the absence of local codes, with the National Fuel Gas Code, ANSI Z223.1/NFPA 54, Storage and Handling of Liquefied Petroleum Gases, ANSI/NFPA 58; or Natural Gas and Propane Installation Code, CSA B149.1; Propane Storage and Handling, CSA B149.2



Stand to side when relighting - never look directly into the oven or at the flame.



Gas regulator supplied may not be suitable for use in your territory or region, please refer to your local regulations for more information.

Step 1

Install hose pipe (if required)

Regulators and hose connections will vary depending on your region.

If your Ooni Gas Burner for Ooni Karu 12 has a threaded female hose end follow Step 1a.

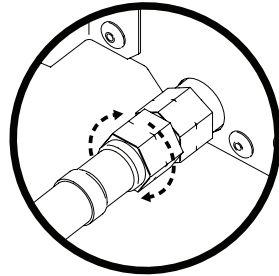
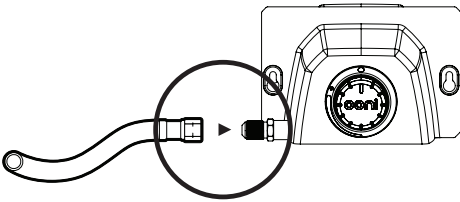
If your Ooni Gas Burner for Ooni Karu 12 has a threaded barb and regular hose with a hose clip follow Step 1b then 1c.

If your Ooni Gas Burner for Ooni Karu 12 has a regular hose with a hose clip follow Step 1a.

If your Ooni Gas Burner for Ooni Karu 12 has the hose preinstalled continue to Step 2.

Step 1a

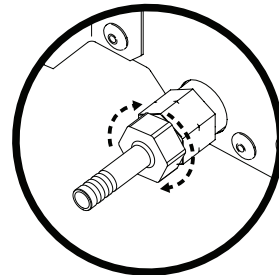
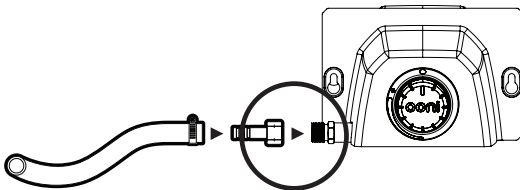
Tighten with suitable wrenches



! Tighten counter-clockwise in EU.

Step 1b

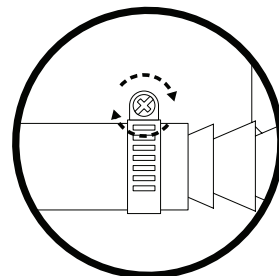
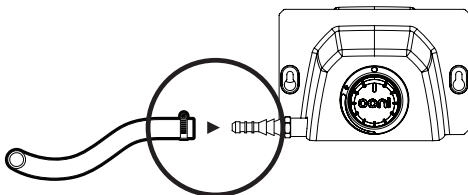
Tighten with suitable wrenches then follow Step 1c.



! Tighten counter-clockwise in EU.

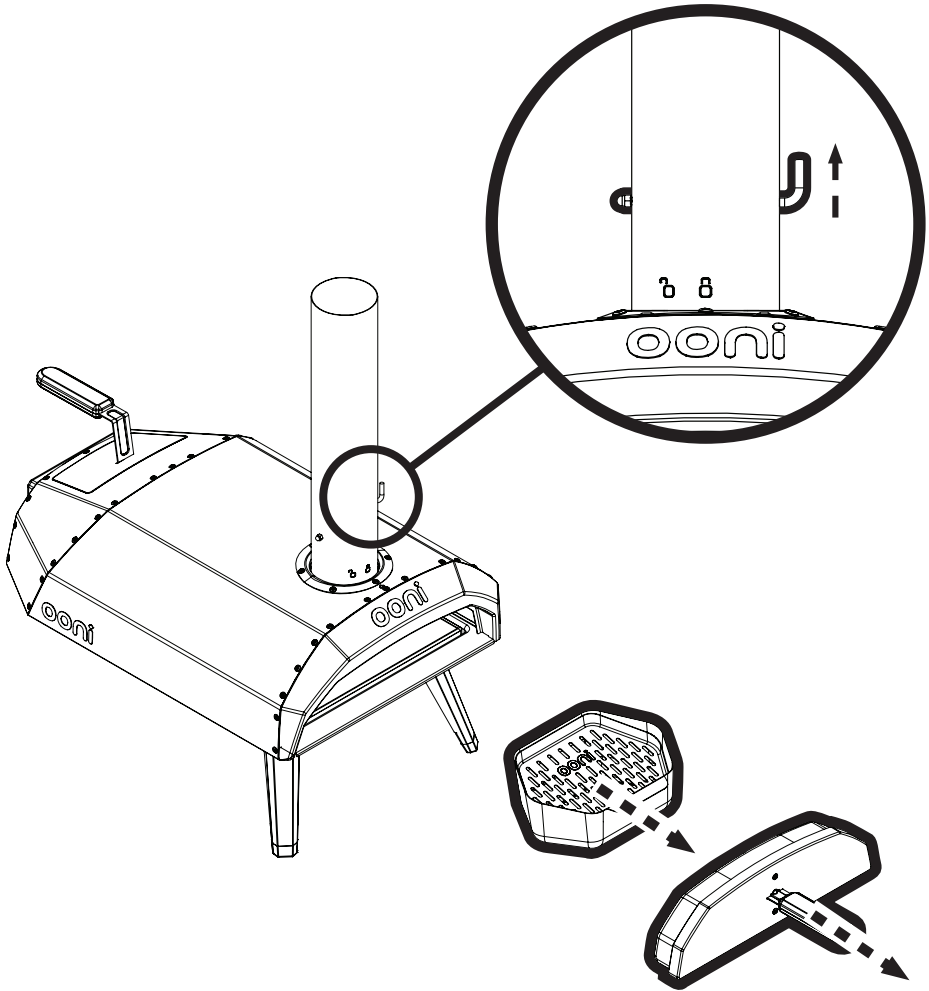
Step 1c

Tighten with suitable screwdriver.

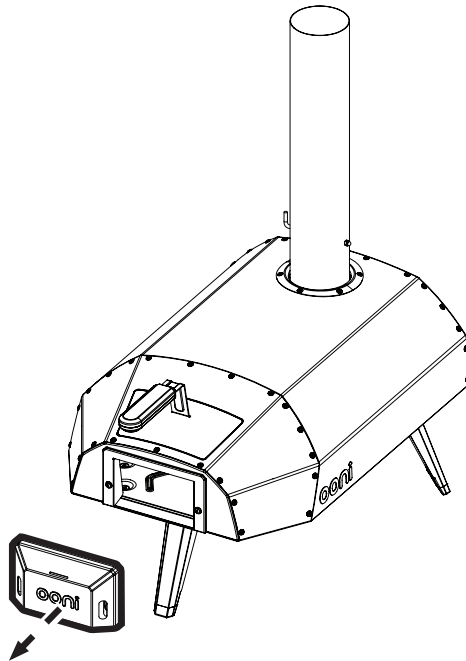
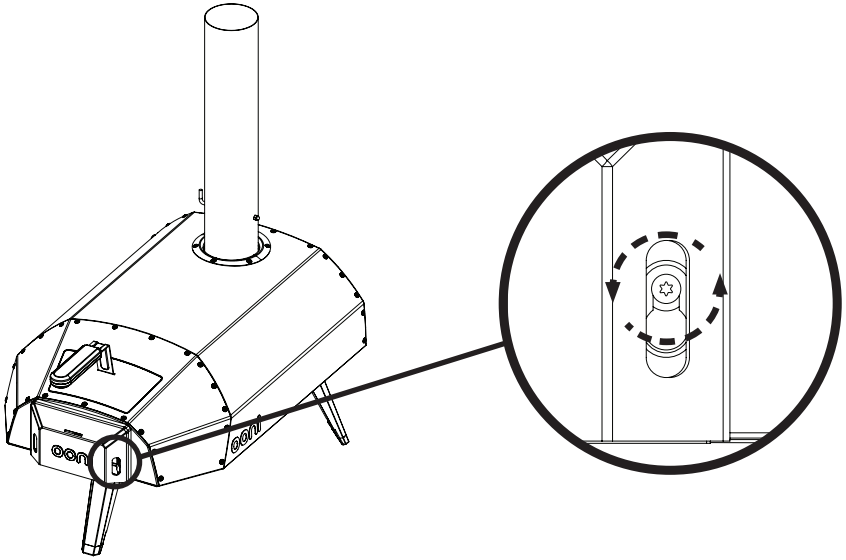


Step 2

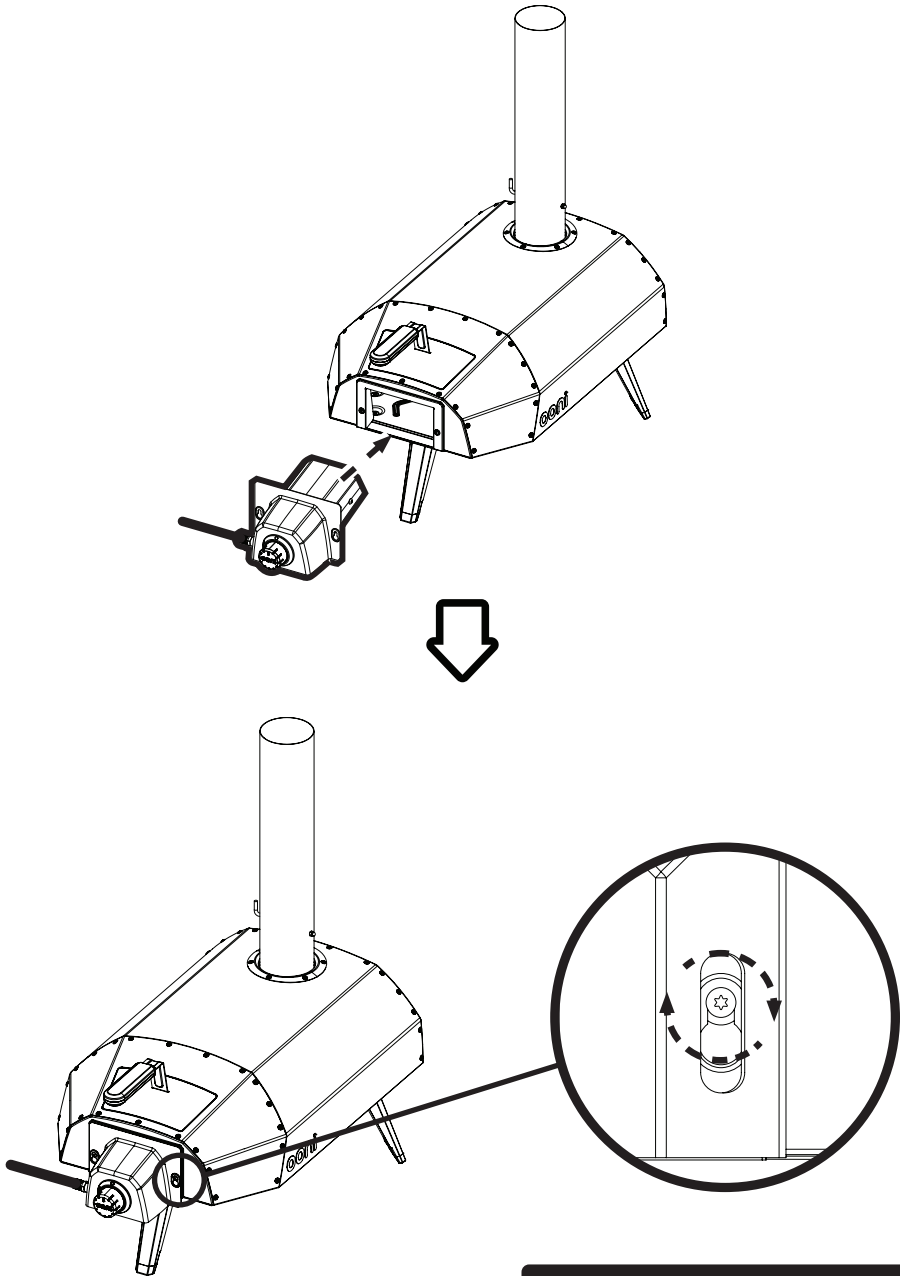
Remove the door and fuel tray and ensure the chimney vent is open



Step 3
Remove draft defender plate



Step 4
Add Ooni Gas Burner for Ooni Karu 12



! Secure but do not over-tighten screws

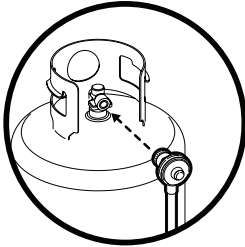
Step 6

Connect to gas canister

Regulators will vary depending on region.

⚠ WARNING

- Please always keep the gas bottle in upright position.
- The size for 20 lbs LP gas cylinder is 12.2 inches in diameter and 17.9 inches tall
- If the appliance is not in use, the gas must be turned off at the supply cylinder.
- The cylinder used must include a collar to protect the cylinder valve.
- The minimum distance for the appliance and the 20lb gas tank is 40 inches apart.



QCC1 gas regulator

This gas fitting is clockwise. Make sure that the tank is completely switched off and screw the regulator as far as possible into the gas tank valve.

Connecting the liquid propane gas cylinder

1. The cylinder valve should be in OFF position.
2. Make sure the burner valve is in OFF position.
3. Inspect the valve connections, port and regulator assembly. Remove debris and inspect the hose for damage.
4. When connecting the regulator assembly to the valve, use your hand to tighten the nut clockwise until it stops.
Use of a wrench could damage the quick coupling nut and result in a hazardous situation.
5. Open the cylinder valve fully by turning the valve counter-clockwise.
6. Before lighting the oven, use a soap and water solution to check all connections for leaks.
7. If a leak is found, turn the cylinder valve OFF, and do not use the oven until local liquid propane dealer can make repairs.

Disconnecting the liquid propane gas cylinder

1. Turn the oven burner valve OFF and make sure the oven is cool.
2. Turn the liquid propane cylinder valve OFF by turning clockwise until it stops.
3. Detach the regulator assembly from the cylinder valve by turning the quick coupling nut counter-clockwise.
4. Place dust cap for cylinder valve outlet whenever the cylinder is not in use.

Leak testing

General

Although the gas connections of the appliance are leak tested prior packing and shipment, a complete test must be performed at the installation site.

Before each use, check all the gas connections for leak testing using the procedure listed below. If the smell of gas is detected at any time, you should immediately stop using and check the entire system for leaks.

Before testing

Make sure all packing material has been removed from the appliance.

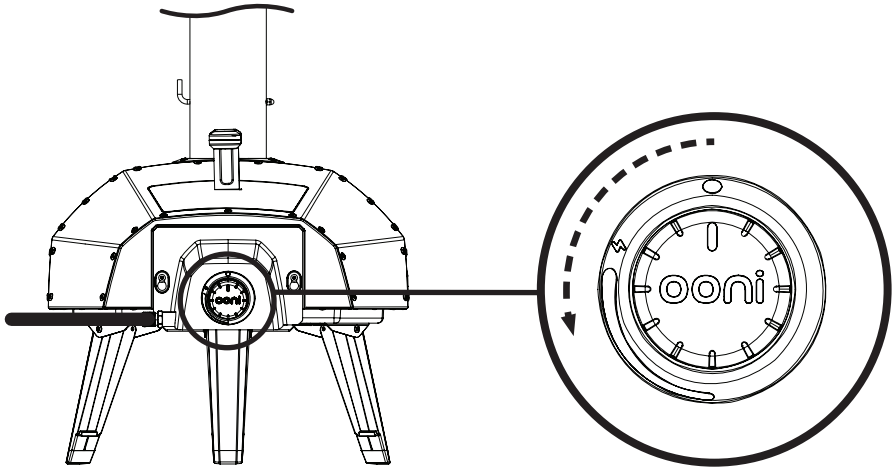
Make a solution of one part liquid detergent and one part water. You will need a spray bottle, brush or rag to apply the solution to the fittings.

To test

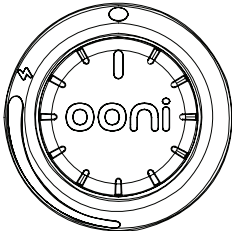
1. Turn the burner valve OFF.
2. Turn the liquid propane cylinder valve on counter-clockwise to open the valve.
3. Apply the soap solution to all gas fittings. Soap bubbles would appear where a leak is present.
4. If a leak is present, immediately turn the gas supply OFF and tighten leaky fittings.
5. Turn the gas back ON and recheck.
6. Should the gas continue to leak from any of the fittings, turn the gas supply OFF and contact customer service.

Step 6 Ignition

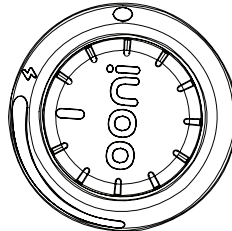
1. Turn on the gas at the gas canister.
2. Push in and turn the button counter-clockwise until it clicks. Do not turn too quickly.
From press to click should take about 3 seconds
3. Hold in button for 5 seconds, then release.



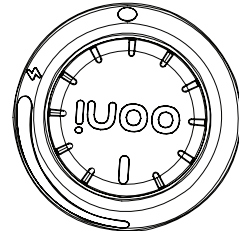
Off



Maximum power



Minimum power

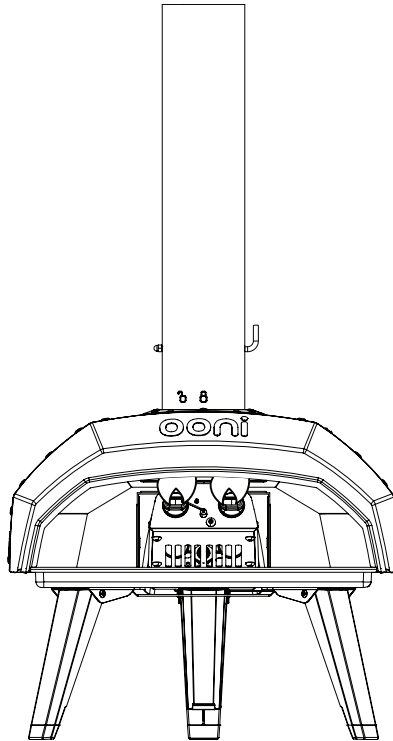


Stand clear of the oven when igniting - ensure nobody is within 1 metres (3ft) of the front of the oven. Maintain arms length from the oven when igniting, and do not lean over the oven when igniting.

Step 7

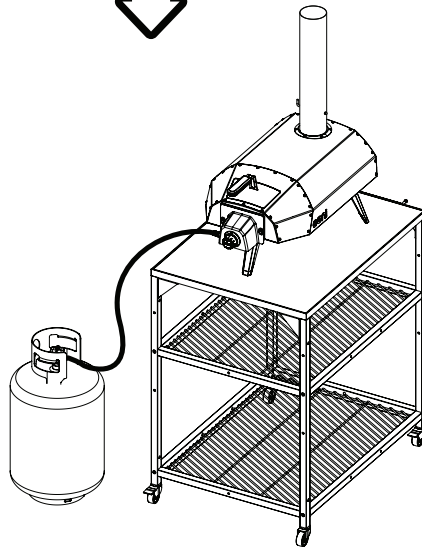
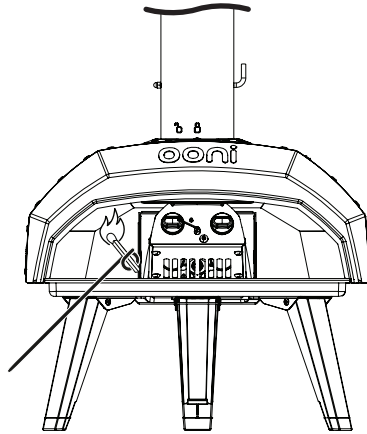
Verify that the gas burner has on

1. If not, turn off the gas and go back to Step 6.
2. If the burner still does not ignite go to Step 8.



Step 8 Ignition – using a match

If the burner still does not ignite; turn the gas on and light using a match and the supplied match holder through the front of the oven. Hold it in front of the burners. Press and turn the knob as described in Step 6.



⚠ Always route the gas hose away from the oven. The hose must not touch the oven body

⚠ If the flames go out turn off the gas and wait 5 minutes before reigniting

Troubleshooting




Problem	Possible cause	Prevention / Solution
My oven isn't getting hot enough	<ol style="list-style-type: none"> 1. Empty gas bottle 2. Cracking or leaking on the hose 3. Regulator improperly fixed 4. Operation in extreme conditions 	<ol style="list-style-type: none"> 1. Check the gas bottle is full, even a bottle with little gas inside may affect the gas burner performance 2. Ensure there is no cracking or leaking on the hose 3. Ensure the regulator is properly fixed to the gas bottle and the hose is firmly attached to the gas burner tightened using appropriate sized wrenches as outlined in the instruction manual 4. Your gas burner and oven should not be used in extreme conditions (eg high wind)
My gas burner will not ignite	<ol style="list-style-type: none"> 1. Improper set-up 2. Empty gas bottle 3. Cracking or leaking from the hose 4. Improper lighting technique. 5. Regulator improperly fixed 6. Improper alignment of the sparker 	<ol style="list-style-type: none"> 1. Ensure the chimney cap is removed and the ceiling vents and chimney vent are open. The door should be open. 2. Check the gas bottle is full, even a bottle with little gas inside may affect the gas burner performance 3. Ensure there is no cracking or leaking on the hose 4. Turning the dial too quickly may prevent the gas burner from lighting. 5. Ensure the regulator is properly fixed to the gas bottle and the hose is firmly attached to the gas burner tightened using appropriate sized wrenches as outlined in the instruction manual 6. Reposition the sparker tip so it is 2-3 mm away from the front of the burner cap.
My flame is too yellow / too blue	Variation in the environment, the food you cook, ambient temperature and condition of your Ooni oven may effect the colour of your flame	The colour of your flame will not affect the taste or quality of your food.
My FSD is not functioning correctly	There may be soot build up on my FSD probe	Ensure the gas burner and gas supply is switched off, wait for the burner to cool down, gently clean the probe and burner holes with damp cloth, leave the burner to fully dry before re-lighting.
Gas burner for Ooni will not maintain it's flame	<ol style="list-style-type: none"> 1. Lack of oxygen 2. Oven placed on an uneven surface 	<ol style="list-style-type: none"> 1. Open the chimney vent of your Ooni Pro to encourage better airflow through the oven 2. If your Ooni is on a slant when set up, the oxygen will not flow as well. Try to set up on a flat surface.
I can hear a 'roaring sound' coming from the Gas burner and my flames are very weak	Flame is burning within the ventures	Switch off the gas supply and the gas burner immediately, wait 5 minutes and relight the gas burner.

Product technical information

Model number

Ooni Karu 12

Product Label

		ANSIZ21.89-2017 CSA 118-2017 Outdoor Cooking Specialty Gas Appliance / Cuisiner en plein air spécialisés appareils à gaz		EN For outdoor use only. If stored indoors, detach and leave cylinder outdoors. Do not store spare LP-gas cylinder under or near the appliance. Never fill the cylinder beyond 80 percent full. If the information beyond is not followed exactly, a fire causing death or serious injury may occur. Minimal clearance from sides and back of the unit to combustible construction, 36 inches from the sides and 36 inches from the front. Do not use the appliance under overhead combustible surfaces. CAUTION: Use only the gas pressure regulator supplied with this appliance. This regulator is set for an outlet pressure of 11w.c. Turn off the LP supply at cylinder when appliance is not in use. This appliance is not intended for commercial use. LIGHTING INSTRUCTION - TO LIGHT THE BURNER Read all instructions before lighting Make sure the control knob is in OFF position, and then turn the liquid propane cylinder valve ON by slowly turning counterclockwise. Push in and slowly turn the control knob anticlockwise until you hear a click and the burner ignites. If the burner doesn't light, turn the knob OFF, wait 5 minutes and repeat the lighting.
Ooni Limited, Unit 5 Bishopsgate Business Park, 189 West Main Street, Broxburn, West Lothian, Scotland, EH52 5LH				
Ooni Karu 12 Gas Burner / Brûleur à gaz Ooni Karu 12				
	LP	Rate Input / Taux d'entrée (BTU/H)		
Components / Composant	Orifice size / Taille de l'orifice			
Main burner / Brûleur principal	0.85	17500		
 <p>Stand to side when relighting - never look directly into the oven or at the flame. Colóquese a un lado cuando vuelva a encenderlo, nunca mire directamente al horno o a la llama. Tiens-toi sur le côté lors du réallumage. Ne regarde jamais directement la flamme ou l'intérieur du four.</p>				
FR Pour une utilisation extérieure seulement. Si l'appareil est rangé à l'intérieur, retirez le cylindre et laissez-le à l'extérieur. Ne rangez pas le cylindre à gaz de rechange LP sous l'appareil ou à proximité. Ne remplissez jamais le cylindre à plus de 80 % de sa capacité. Le non-respect des consignes ci-dessus pourrait causer un incendie mortel ou de blessures graves. Le dégagement minimum entre les côtés de l'unité et une construction combustible est de 36 po des côtés et de 36 po du devant. N'utilisez pas l'appareil sous des surfaces combustibles. AVERTISSEMENT : Utilisez seulement le régulateur de pression à gaz fourni avec cet appareil. Ce régulateur est conçu pour une sortie de pression de 11 pouces CE. Fermez l'alimentation LP au cylindre lorsque l'appareil n'est pas utilisé. Cet appareil n'est pas conçu pour un usage commercial. INSTRUCTIONS D'ALLUMAGE - POUR ALLUMER LE BRÛLEUR Lisez bien toutes les instructions avant de procéder à l'allumage Assurez-vous que le bouton de commande est en position ARRÊT, puis activez la vanne du cylindre de propane liquide en la tournant lentement dans le sens contraire des aiguilles d'une montre. Enfoncez le bouton de commande et tournez-le lentement dans le sens contraire des aiguilles d'une montre jusqu'à ce qu'il s'enclenche et que le brûleur s'allume. Si le brûleur ne s'allume pas, fermez le bouton de commande, attendez 5 minutes puis recommencez le processus d'allumage.		ES Solo para utilizar en exteriores. Si se guarda en interiores, desconecta el cilindro y mantenlo en exteriores. No conserves el cilindro de gas propano líquido de repuesto debajo o cerca del electrodoméstico. Nunca llenes el cilindro en más del 80 % de su capacidad total. Si la información anterior no se sigue de manera exacta, puede ocurrir un incendio y provocar lesiones graves o la muerte. La distancia mínima entre las partes laterales y posterior de la unidad y una construcción inflamable debe ser de 36 pulgadas desde los laterales y 36 pulgadas desde el frente. No utilices este electrodoméstico bajo superficies inflamables. PRECAUCIÓN: Utiliza solo el regulador de presión de gas que se suministra con este electrodoméstico. Este regulador está configurado para una presión de salida de 11 iwc. Apaga el suministro de gas propano líquido en el cilindro cuando no utilices el electrodoméstico. Este electrodoméstico no está diseñado para uso comercial. INSTRUCCIONES DE ENCENDIDO: PARA ENCENDER EL QUEMADOR Lee todas las instrucciones antes de encenderlo. Asegúrate de que la perilla de control esté en la posición de apagado; luego, enciende la válvula del cilindro de gas propano líquido girándola lentamente hacia la izquierda. Presiona y gira la perilla de control lentamente hacia la izquierda hasta que escuches un clic y el quemador se encienda. Si el quemador no se enciende, apaga la perilla, espera 5 minutos y vuelve a encenderlo.		

Ooni Karu 12 Gas Burner				
Gas Type	Number of Burners	Injector Size Main Burner	Total Gas Consumption BTU	Gas Pressure KPa
Propane	1	0.85mm	17500	2.8



WARNING:

- Do not spray aerosols in the vicinity of this appliance while it is in operation.
- Do not use or store flammable materials in or near this appliance.
- Do not place articles on or against this appliance. Do not modify this appliance

⚠ ADVERTENCIA

Para reducir el riesgo de incendio, quemaduras u otras lesiones, lee este manual de seguridad con atención y de manera completa antes de utilizar este electrodoméstico.

⚠ ADVERTENCIA

Antes de limpiarlo, asegúrate de que la perilla de control y suministro de gas esté en posición de apagado, y que el quemador y el horno se hayan enfriado.

⚠ PELIGRO

Nunca operes este electrodoméstico sin supervisión. Si ocurre un incendio, aléjate del electrodoméstico y llama de inmediato al departamento de bomberos. No intentes extinguir con agua un incendio por aceite o grasa.

⚠ PELIGRO

Si sientes olor a gas:

- Cierra el paso de gas del electrodoméstico
- Extingue las llamas vivas
- Si el olor continúa, aléjate del electrodoméstico y llama de inmediato a tu proveedor de gas o al departamento de bomberos.

Si no sigues estas instrucciones, se puede generar un incendio, explosión o riesgo de quemaduras que pueden causar daños a la propiedad, lesiones personales o la muerte.

⚠ ADVERTENCIA

SOLO PARA UTILIZAR EN EXTERIORES.

⚠ ADVERTENCIA

- a. Mantén la manguera de suministro de combustible lejos de cualquier superficie caliente.
- b. El consumo de alcohol o de drogas con o sin prescripción puede alterar la capacidad del consumidor para instalar el electrodoméstico de manera adecuada u operarlo con seguridad.
- c. Mantén a los niños y mascotas lejos del electrodoméstico en todo momento.
- d. No muevas el electrodoméstico mientras esté en uso.
- e. Este electrodoméstico no está diseñado para utilizarse como calentador, y nunca se debe usar como tal.

⚠ ADVERTENCIA

- a. Mantén la manguera de suministro de combustible lejos de cualquier superficie caliente.
- b. El consumo de alcohol o de drogas con o sin prescripción puede alterar la capacidad del consumidor para instalar el electrodoméstico de manera adecuada u operarlo con seguridad.
- c. Mantén a los niños y mascotas lejos del electrodoméstico en todo momento.
- d. No muevas el electrodoméstico mientras esté en uso.
- e. Este electrodoméstico no está diseñado para utilizarse como calentador, y nunca se debe usar como tal.

⚠ ADVERTENCIA

Pueden anidarse arañas e insectos dentro del quemador del electrodoméstico y alterar el flujo de gas. Examina el quemador al menos una vez por año.

⚠ ADVERTENCIA

Si utilizas un fósforo para encender el quemador, asegúrate de utilizar el portafósforos incluido.

⚠ ADVERTENCIA

No conserves el electrodoméstico en interiores, salvo que el cilindro de gas esté desconectado.

⚠ ADVERTENCIA

No conserves el cilindro de gas en un edificio, garaje u otra área cerrada y mantenlo fuera del alcance de los niños en todo momento.

⚠ ADVERTENCIA

Este electrodoméstico no está diseñado para instalarse en barcos o vehículos recreativos.

⚠ ADVERTENCIA

Verifica si hay fugas en todas las conexiones de gas antes de cada uso. No utilices el electrodomésticos hasta haber examinado todas las conexiones y asegurarte de que no existen fugas.

⚠ ADVERTENCIA

No fumes mientras examinas si hay fugas. No examines si existen fugas con la llama encendida.

⚠ ADVERTENCIA

Cuando lo enciendas, manten tu rostro y manos lo más lejos posible del electrodoméstico.

⚠ ADVERTENCIA

La distancia mínima entre los laterales de la unidad y la construcción inflamable es de 610 mm (24 pulgadas).

La distancia mínima entre la parte posterior de la unidad y la construcción inflamable es de 915 mm (36 pulgadas).

⚠ ADVERTENCIA

Este manual de instrucciones contiene información importante necesaria para la instalación correcta y el uso seguro del electrodoméstico. Lee y sigue todas las advertencias e instrucciones antes de instalar y utilizar el electrodoméstico. Sigue todas las advertencias e instrucciones cuando utilices el electrodoméstico. Guarda este manual para futuras consultas.

⚠ ADVERTENCIA

Este manual establece que un horno, una freidora o un asador no se debe utilizar en un departamento ni en un balcón o deck de condominio.

⚠️ ADVERTENCIA

Este electrodoméstico no está diseñado para instalarse en un barco. Este electrodoméstico no está diseñado para instalarse en un vehículo recreativo.

⚠️ ADVERTENCIA

Mantén la manguera de suministro de combustible lejos de cualquier superficie caliente.

⚠️ ADVERTENCIA

Este manual incluye instrucciones para limpiar y examinar la manguera antes de utilizar el electrodoméstico. Si existen pruebas de abrasión, desgaste, cortes o fugas, se debe reemplazar la manguera antes de operar el electrodoméstico. La instalación de la manguera de repuesto se debe realizar según las especificaciones de fabricante.

⚠️ ADVERTENCIA

Este electrodoméstico solo se debe utilizar en exteriores, y no en un edificio, garaje ni en alguna otra área cerrada.

⚠️ ADVERTENCIA

Este manual incluye una lista de piezas requeridas que son necesarias para el funcionamiento seguro del electrodoméstico, instrucciones para la instalación adecuada y el ensamble de las piezas instaladas y accesorios suministrados con el electrodoméstico, y procedimientos adecuados para examinar si existen fugas de gas.

⚠️ ADVERTENCIA

El electrodoméstico no se debe ubicar ni utilizar debajo de materiales o superficies inflamables sin protección en la parte superior. Para una parrilla, freidora o asador, la distancia mínima debe ser de al menos 10 pies (3 m) de cualquier estructura o material inflamable.

⚠️ ADVERTENCIA

Asegúrate de que las patas del Ooni Karu 12 estén totalmente desplegadas antes de usarlo.

⚠️ ADVERTENCIA

Para evitar una descarga, no toques el extremo del electrodo cuando enciendas el quemador.

⚠️ ADVERTENCIA

Durante su uso, asegúrate de que la ventilación de la chimenea esté completamente abierta.

⚠️ ADVERTENCIA

No ajustes la ventilación de la chimenea durante su uso.

⚠️ ADVERTENCIA

Mantente alejado de los gases de escape calientes que provienen de la chimenea.

⚠️ ADVERTENCIA

Asegúrate de que exista una distancia de al menos 3,5" / 90 mm entre los extremos de cualquiera de las patas del horno y el extremo de la superficie de la mesa.

⚠️ ADVERTENCIA PARA EL CILINDRO DE GAS PROPANO LÍQUIDO

1. No conserves el cilindro de gas propano líquido de repuesto debajo o cerca de este electrodoméstico.
2. Nunca llenes el cilindro en más del 80 % de su capacidad.
3. El cilindro de gas propano líquido se debe instalar con un DISPOSITIVO DE PROTECCIÓN CONTRA DESBORDES (OPD).
4. Si la información anterior no se sigue de manera exacta, puede ocurrir un incendio y provocar lesiones graves o la muerte.
5. Este manual establece que la instalación debe realizarse conforme a los códigos locales o, en caso de que no existan dichos códigos, al Código Nacional de Gas Combustible, ANSI Z223.1/NFPA 54, a la Norma de almacenamiento y manejo del gas licuado de petróleo, ANSI/NFPA 58; o al Código de Instalación de Gas Natural y Propano, CSA B149.1; Almacenamiento y Manejo de Gas Propano, CSA B149.2



Párate a un lado cuando vuelvas a encenderlo; nunca mires directamente hacia el horno o la llama.



Es posible que el regulador de gas suministrado no sea ideal para utilizar en tu territorio o región; consulta las regulaciones locales para obtener más información.

Paso 1

Instala el tubo de la manguera (si es necesario)

Los reguladores y las conexiones de la manguera pueden variar según tu región.

Si tu horno de gas Ooni para Ooni Karu 12 tiene una manguera con extremo hembra roscado, sigue el Paso 1a.

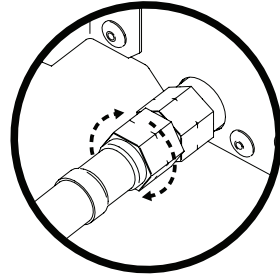
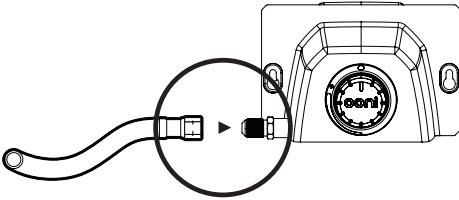
Si tu horno de gas Ooni para Ooni Karu 12 tiene una manguera regular con extremo roscado con una abrazadera, sigue el Paso 1b y luego el 1c.

Si tu horno de gas Ooni para Ooni Karu 12 tiene una manguera regular con una abrazadera, sigue el Paso 1c.

Si tu horno de gas Ooni para Ooni Karu 12 tiene una manguera preinstalada, sigue con el Paso 2.

Paso 1a

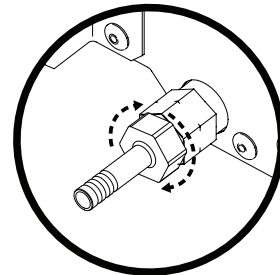
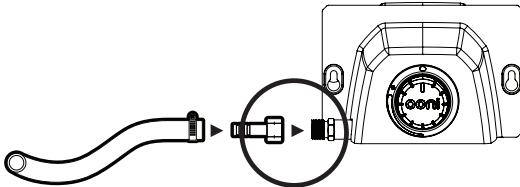
Ajusta con llaves adecuadas



! Ajusta hacia la izquierda en Europa.

Paso 1b

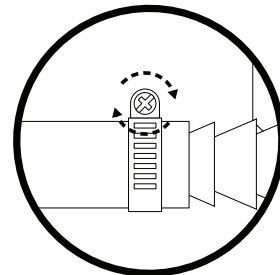
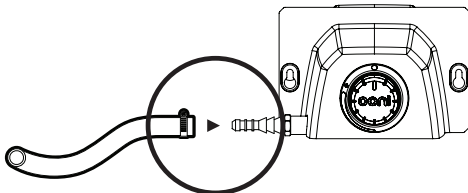
Ajusta con llaves adecuadas, luego sigue el Paso 1c.



! Ajusta hacia la izquierda en Europa.

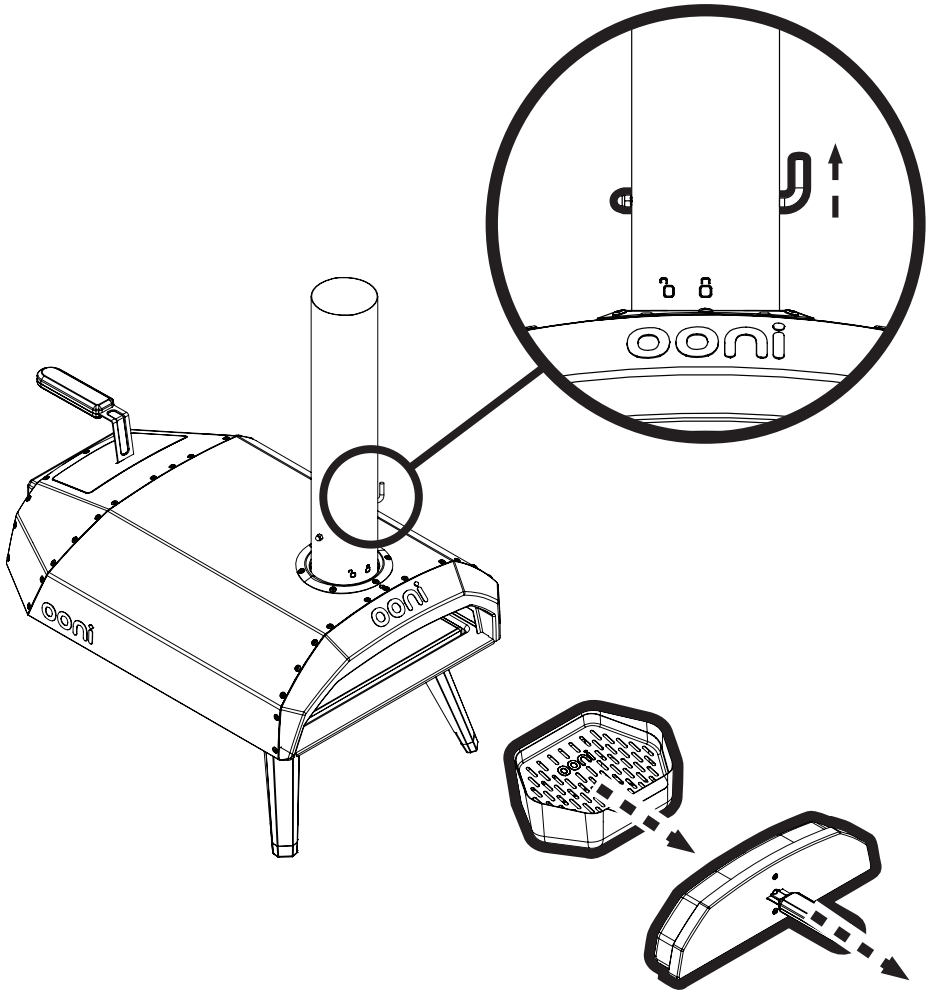
Paso 1c

Ajusta con un destornillador adecuado.

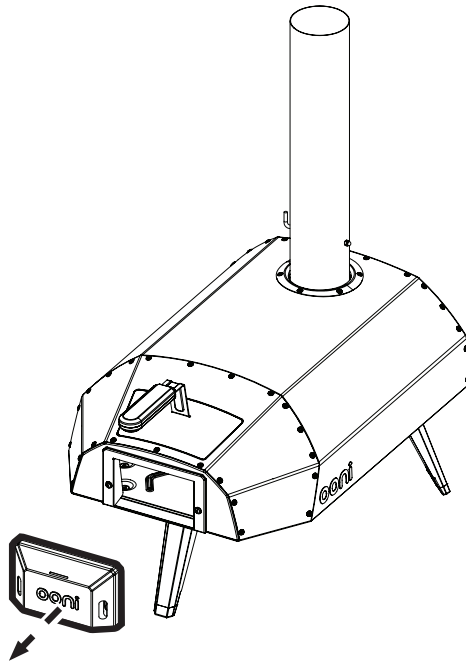
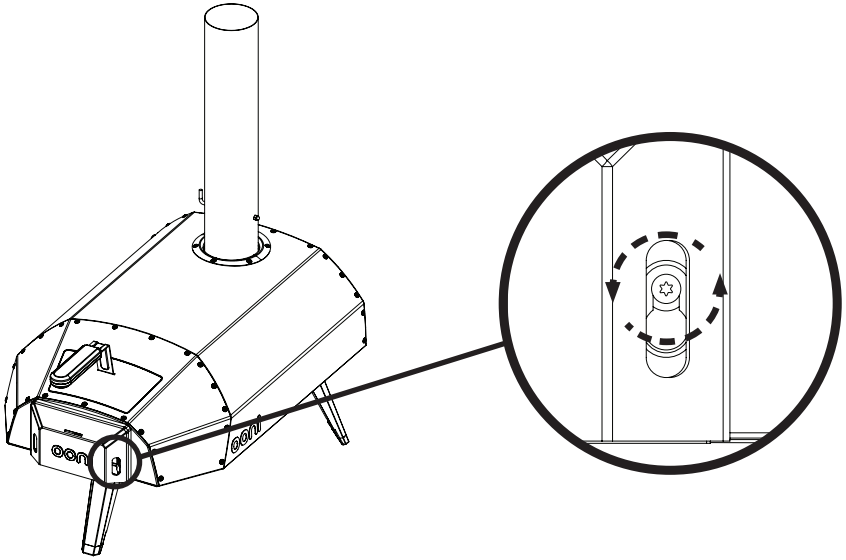


Paso 2

Retira la puerta y la bandeja de combustible, y asegúrate de que la ventilación de la chimenea esté abierta

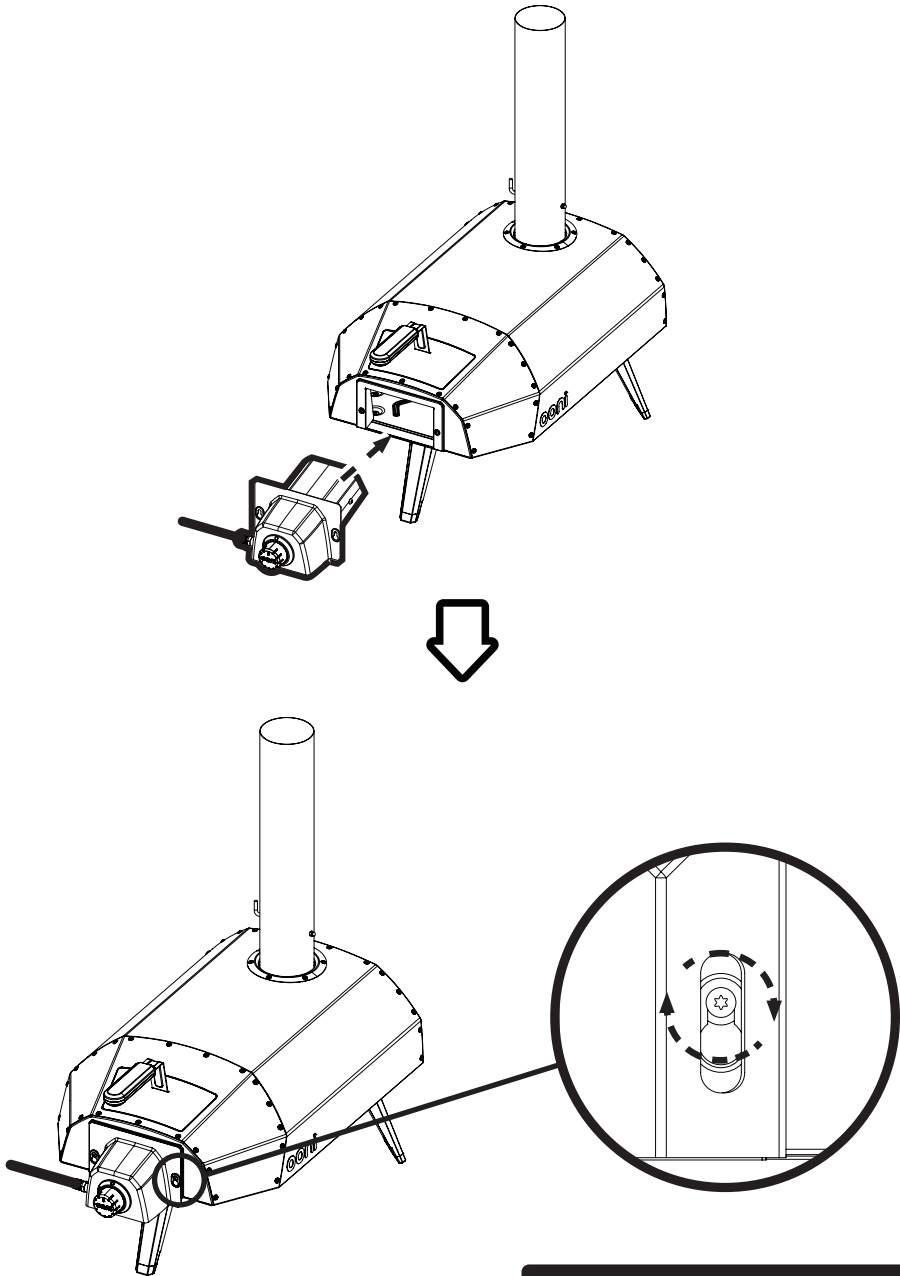


Paso 3
Retira la placa protectora difusora



Paso 4

Agrega el quemador de gas Ooni para Ooni Karu 12



! Ajusta los tornillos, pero no demasiado

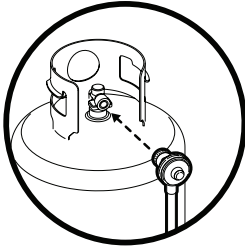
Paso 6

Conéctalo al contenedor de gas

Los reguladores pueden variar según la región.

⚠ ADVERTENCIA

- Mantén siempre el botellón de gas en posición vertical.
- El tamaño para el cilindro de gas propano líquido de 20 libras es de 12.2 pulgadas de diámetro y 17.9 pulgadas de longitud
- Si no se está utilizando el electrodoméstico, el gas debe estar apagado en el cilindro de suministro.
- El cilindro utilizado debe incluir un anillo para proteger su válvula.
- La distancia mínima entre el electrodoméstico y el tanque de gas de 20 libras es de 40 pulgadas.



Regulador de gas QCC1

Esta conexión de gas se ajusta hacia la derecha. Asegúrate de que el tanque esté completamente apagado y atornilla el regulador lo máximo posible en la válvula del tanque de gas.

Conectar el cilindro de gas propano líquido

1. La válvula del cilindro debe estar en la posición de apagado.
2. Asegúrate de que la válvula del quemador se encuentre en la posición de apagado.
3. Examina las conexiones de la válvula, el puerto y la instalación del regulador. Retira los escombros y examina si la manguera presenta daños.
4. Cuando conectes el ensamble del regulador a la válvula, ajusta manualmente la tuerca hacia la derecha hasta que se detenga.
Si utilizas una llave, puedes dañar la tuerca de acoplamiento y generar una situación peligrosa.
5. Abre completamente la válvula del cilindro girándola hacia la izquierda.
6. Antes de encender el horno, utiliza una solución de agua y jabón para verificar si las conexiones presentan fugas.
7. Si detectas una fuga, apaga la válvula del cilindro y no utilices el horno hasta que el distribuidor local de propano líquido pueda repararla.

Desconectar el cilindro de gas propano líquido

1. Apaga la válvula del quemador del horno y asegúrate de que el horno esté frío.
2. Apaga la válvula del cilindro de propano líquido girándola hacia la derecha hasta que se detenga.
3. Separa el ensamble del regulador de la válvula del cilindro girando la tuerca de acoplamiento hacia la izquierda.
4. Coloca la tapa guardapolvos para la salida de la válvula del cilindro cada vez que este no se esté usando.

Verificación de fugas

General

Aunque se hayan examinado las conexiones de gas del electrodoméstico para saber si presentan fugas antes de su embalaje y envío, se debe realizar una prueba completa en el lugar de instalación.

Antes de cada uso, verifica si las conexiones de gas presentan fugas siguiendo el procedimiento descrito a continuación. Si en algún momento sientes olor a gas, debes dejar de usarlo de inmediato y verificar todo el sistema para saber si existen fugas.

Antes de examinarlo

Asegúrate de haber retirado todo el material de embalaje del electrodoméstico.

Prepara una solución de una parte de detergente líquido y otra de agua. Necesitarás un rociador, cepillo o paño para aplicar la solución en las conexiones.

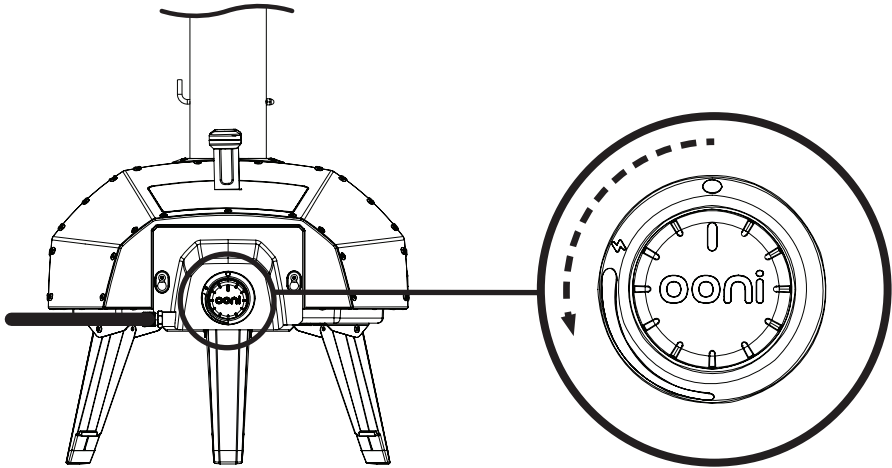
Para examinarlo

1. Apaga la válvula del quemador.
2. Enciende la válvula del cilindro de gas propano líquido girándola hacia la izquierda para poder abrirla.
3. Aplica la solución de jabón a todas las conexiones de gas. Aparecerán burbujas donde haya una fuga.
4. Si existe una fuga, apaga el suministro de gas de inmediato y ajusta las conexiones que presenten fugas.
5. Vuelve a encender el gas y reexaminalo.
6. Si aún existen fugas de gas en alguna de las conexiones, apaga el suministro de gas y contacta a atención al cliente.

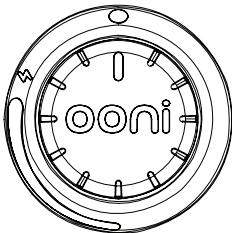
Paso 6

Encendido

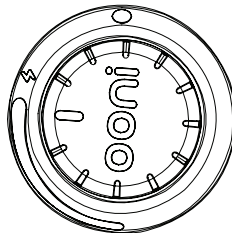
1. Enciende el gas en el contenedor de gas.
2. Presiona el botón y giralo hacia la izquierda hasta que haga clic. No lo gires demasiado rápido. Deberían transcurrir alrededor de 3 segundos desde que presionas el botón hasta que hace clic
3. Mantén presionado el botón durante 5 segundos, luego suéltalo.



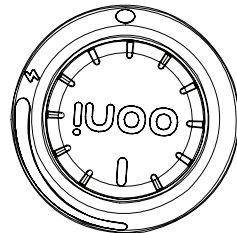
Apagado



Potencia máxima



Potencia mínima

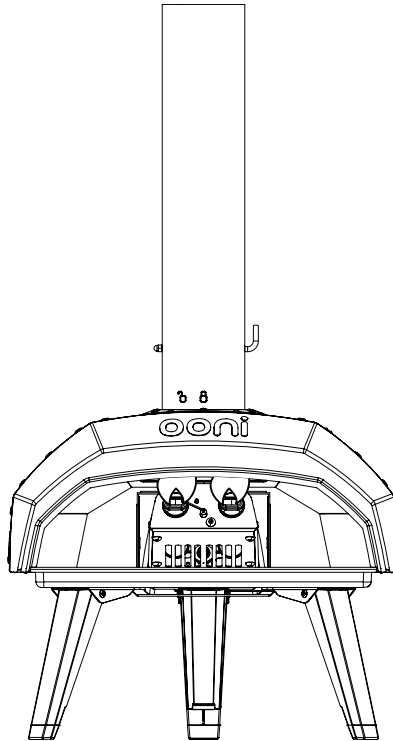


Mantente alejado del horno cuando lo enciendas; asegúrate de que nadie esté a menos de 1 metro (3 pies) del frente del horno. Mantente a una distancia mayor a la de tus brazos frente al horno cuando lo enciendas, y no te inclines sobre él.

Paso 7

Verifica que el quemador de gas esté encendido

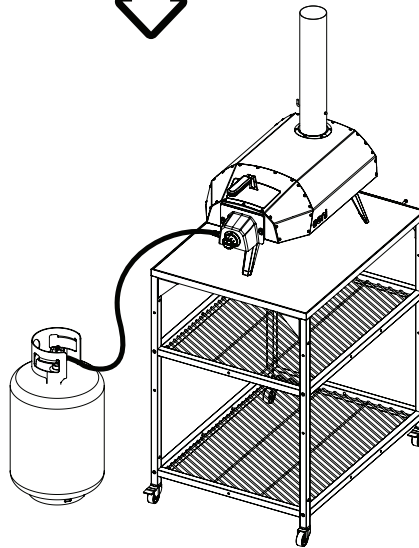
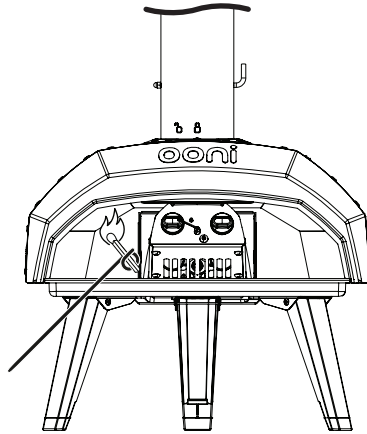
1. Si no está encendido, apaga el gas y vuelve al Paso 6.
2. Si el quemador aún no se enciende, sigue el Paso 8.



Paso 8

Encendido con un fósforo

Si el quemador no se enciende: enciende el gas y enciéndelo con un fósforo y el portafósforos suministrado a través de la parte frontal del horno. Mantenlo frente a los quemadores. Presiona y gira la perilla como se describe en el Paso 6.



Siempre coloca la manguera de gas lejos del horno. La manguera no debe tener contacto con el cuerpo del horno



Si se apagan las llamas, apaga el gas y aguarda 5 minutos antes de volver a encenderlo

Resolución de problemas




Problema	Posible causa	Prevención/Solución
Mi horno no calienta lo suficiente	<ol style="list-style-type: none"> 1. Vacía el botellón de gas 2. El tubo está agrietado o presenta fugas 3. El regulador está mal colocado 4. Funcionamiento en condiciones climáticas extremas 	<ol style="list-style-type: none"> 1. Verifica que el botellón de gas esté lleno; incluso un botellón con poco gas puede afectar el rendimiento del quemador de gas 2. Asegúrate de que el tubo no esté agrietado ni presente fugas 3. Asegúrate de que el regulador esté instalado de forma adecuada al botellón de gas y que el tubo esté adherido firmemente al quemador de gas a usando llaves del tamaño correcto según se describe en el manual de instrucciones 4 No debes utilizar el quemador y el horno de gas en condiciones climáticas extremas (p. ej., viento intenso)
Mi quemador de gas no se enciende	<ol style="list-style-type: none"> 1. Instalación inadecuada 2. Vacía el botellón de gas 3. La manguera está agrietada o presenta fugas 4. La técnica de encendido es inadecuada. 5. El regulador está mal colocado 6. La alineación del chispero es inadecuada 	<ol style="list-style-type: none"> 1. Asegúrate de retirar la tapa de la chimenea y que las ventilaciones del techo y la chimenea estén abiertas. La puerta debe estar abierta. 2. Verifica que el botellón de gas esté lleno; incluso un botellón con poco gas puede afectar el rendimiento del quemador de gas 3. Asegúrate de que el tubo no esté agrietado ni presente fugas 4. Girar el dial demasiado rápido puede evitar que se encienda el horno de gas. 5. Asegúrate de que el regulador esté instalado de forma adecuada al botellón de gas y que el tubo esté adherido firmemente al quemador de gas usando llaves del tamaño correcto según se describe en el manual de instrucciones 6. Vuelve a posicionar el extremo del chispero para que esté a 2-3 mm del frente de la tapa del quemador.
La llama es demasiado amarilla o demasiado azul	La variación en el ambiente, los alimentos que cocinas, la temperatura ambiente y la condición de tu horno Ooni pueden afectar el color de la llama	El color de la llama no afectará el sabor o la calidad de tus alimentos.
Mi FSD no funciona correctamente	Debe haber hollín acumulado en el sensor de mi FSD	Asegúrate de que el quemador y el suministro de gas estén apagados, espera que el quemador se enfríe, limpia cuidadosamente el sensor y los orificios del quemador con un paño húmedo y deja que se seque por completo antes de volver a encenderlo.
El quemador de gas del Ooni no mantiene la llama	<ol style="list-style-type: none"> 1. Falta de oxígeno 2. El horno está colocado en una superficie desnivelada 	<ol style="list-style-type: none"> 1. Abre la ventilación de la chimenea de tu Ooni Pro para que haya un mejor flujo de aire a través del horno 2. Si tu Ooni está colocado en una superficie inclinada, el oxígeno no fluirá bien. Intenta colocarlo en una superficie plana.
Puedo escuchar un sonido rugiente que proviene del quemador de gas y las llamas son muy débiles	La llama se enciende dentro de las orificios	Apaga de inmediato el suministro de gas y el quemador de gas, espera 5 minutos y vuelve a encenderlo.

Información técnica del producto

Número del modelo

Ooni Karu 12

Etiqueta del producto

	ANSIZ21.89-2017 CSA 118-2017 Outdoor Cooking Specialty Gas Appliance / Cuisiner en plein air spécialisés appareils à gaz		EN For outdoor use only. If stored indoors, detach and leave cylinder outdoors. Do not store spare LP-gas cylinder under or near the appliance. Never fill the cylinder beyond 80 percent full. If the information beyond is not followed exactly, a fire causing death or serious injury may occur. Minimal clearance from sides and back of the unit to combustible construction, 36 inches from the sides and 36 inches from the front. Do not use the appliance under overhead combustible surfaces. CAUTION: Use only the gas pressure regulator supplied with this appliance. This regulator is set for an outlet pressure of 11w.c. Turn off the LP supply at cylinder when appliance is not in use. This appliance is not intended for commercial use.
Ooni Limited, Unit 5 Bishopsgate Business Park, 189 West Main Street, Broxburn, West Lothian, Scotland, EH52 5LH			
Ooni Karu 12 Gas Burner / Brûleur à gaz Ooni Karu 12			
Components / Composant	LP Orifice size / Taille de l'orifice	Rate Input / Taux d'entrée (BTU/H)	
Main burner / Brûleur principal	0.85	17500	
	Stand to side when relighting - never look directly into the oven or at the flame. Colóquese a un lado cuando vuelva a encenderlo, nunca mire directamente al horno o a la llama. Tiens-toi sur le côté lors du réallumage. Ne regarde jamais directement la flamme ou l'intérieur du four.		LIGHTING INSTRUCTION - TO LIGHT THE BURNER Read all instructions before lighting Make sure the control knob is in OFF position, and then turn the liquid propane cylinder valve ON by slowly turning counterclockwise. Push in and slowly turn the control knob anticlockwise until you hear a click and the burner ignites. If the burner doesn't light, turn the knob OFF, wait 5 minutes and repeat the lighting.
FR Pour une utilisation extérieure seulement. Si l'appareil est rangé à l'intérieur, retirez le cylindre et laissez-le à l'extérieur.			ES Solo para utilizar en exteriores. Si se guarda en interiores, desconecta el cilindro y mantenlo en exteriores.
Ne rangez pas le cylindre à gaz de recharge LP sous l'appareil ou à proximité.			No conserves el cilindro de gas propano líquido de repuesto debajo o cerca del electrodoméstico.
Ne remplissez jamais le cylindre à plus de 80 % de sa capacité.			Nunca llenes el cilindro en más del 80 % de su capacidad total.
Le non-respect des consignes ci-dessus pourrait causer un incendie mortel ou de blessures graves.			Si la información anterior no se sigue de manera exacta, puede ocurrir un incendio y provocar lesiones graves o la muerte.
Le dégagement minimum entre les côtés de l'unité et une construction combustible est de 36 po des côtés et de 36 po du devant.			La distancia mínima entre las partes laterales y posterior de la unidad y una construcción inflamable debe ser de 36 pulgadas desde los laterales y 36 pulgadas desde el frente.
N'utilisez pas l'appareil sous des surfaces combustibles.			No utilices este electrodoméstico bajo superficies inflamables.
AVERTISSEMENT : Utilisez seulement le régulateur de pression à gaz fourni avec cet appareil.			PRECAUCIÓN: Utiliza solo el regulador de presión de gas que se suministra con este electrodoméstico.
Ce régulateur est conçu pour une sortie de pression de 11 pouces CE.			Este regulador está configurado para una presión de salida de 11 iwc.
Fermez l'alimentation LP au cylindre lorsque l'appareil n'est pas utilisé.			Apaga el suministro de gas propano líquido en el cilindro cuando no utilices el electrodoméstico.
Cet appareil n'est pas conçu pour un usage commercial.			Este electrodoméstico no está diseñado para uso comercial.
INSTRUCTIONS D'ALLUMAGE - POUR ALLUMER LE BRÛLEUR			INSTRUCCIONES DE ENCENDIDO: PARA ENCENDER EL QUEMADOR
Lisez bien toutes les instructions avant de procéder à l'allumage			Lee todas las instrucciones antes de encenderlo.
Assurez-vous que le bouton de commande est en position ARRÊT, puis activez la vanne du cylindre de propane liquide en la tournant lentement dans le sens contraire des aiguilles d'une montre.			Asegúrate de que la perilla de control esté en la posición de apagado; luego, enciende la válvula del cilindro de gas propano líquido girándola lentamente hacia la izquierda.
Enfoncez le bouton de commande et tournez-le lentement dans le sens contraire des aiguilles d'une montre jusqu'à ce qu'il s'enclenche et que le brûleur s'allume.			Presiona y gira la perilla de control lentamente hacia la izquierda hasta que escuches un clic y el quemador se encienda.
Si le brûleur ne s'allume pas, fermez le bouton de commande, attendez 5 minutes puis recommencez le processus d'allumage.			Si el quemador no se enciende, apaga la perilla, espera 5 minutos y vuelve a encenderlo.

Horno de gas Ooni Karu 12

Tipo de gas	Cantidad de quemadores	Tamaño del inyector del quemador principal	Total de consumo de gas en BTU	Presión de gas en KPa
Propano	1	0.85 mm	17500	2.8



ADVERTENCIA:

No rocíes aerosoles en los alrededores de este electrodoméstico mientras esté en funcionamiento.

No utilices ni conserves materiales inflamables en este electrodoméstico o cerca de él.

No coloques artículos sobre este electrodoméstico o contra él. No modifiques este electrodoméstico

⚠ AVERTISSEMENT

Afin de réduire le risque d'incendie, de brûlures ou autres blessures, veuillez lire ce manuel de sécurité attentivement et dans son entier avant d'utiliser cet appareil.

⚠ AVERTISSEMENT

Avant de nettoyer l'appareil, assurez-vous que l'alimentation en gaz et le bouton de réglage sont en position ARRÊT et que le brûleur et le four se sont bien refroidis.

⚠ DANGER

Ne faites pas fonctionner cet appareil sans surveillance. En cas d'incendie, restez éloigné de l'appareil et appelez immédiatement le service d'incendie. N'essayez pas d'éteindre un incendie de graisse ou d'huile avec de l'eau.

⚠ DANGER

Si vous détectez une odeur de gaz :

- Fermez l'alimentation en gaz
- Éteignez toute flamme nue
- Si l'odeur persiste, restez éloigné de l'appareil et appelez immédiatement le fournisseur de gaz ou le service d'incendie.

Le non-respect de ces directives peut entraîner un incendie, une explosion ou un risque de brûlure pouvant causer des dommages matériels, des blessures corporelles ou la mort.

⚠ AVERTISSEMENT

POUR UNE UTILISATION EXTÉRIEURE SEULEMENT.

⚠ AVERTISSEMENT

- a. Tenez le tuyau d'alimentation en carburant à l'écart de toutes surfaces chauffées.
- b. La consommation d'alcool ou de médicaments, prescrits ou en vente libre, peut altérer la capacité du consommateur à bien assembler ou à utiliser l'appareil de façon sécuritaire.
- c. En tout temps, tenez les enfants et les animaux à l'écart de l'appareil.
- d. Ne déplacez pas l'appareil lorsqu'il est en marche.
- e. Cet appareil n'est pas un appareil de chauffage et ne devrait jamais être utilisé à cet effet.

⚠ AVERTISSEMENT

- a. Tenez le tuyau d'alimentation en carburant à l'écart de toutes surfaces chauffées.
- b. La consommation d'alcool ou de médicaments, prescrits ou en vente libre, peut altérer la capacité du consommateur à bien assembler ou à utiliser l'appareil de façon sécuritaire.
- c. En tout temps, tenez les enfants et les animaux à l'écart de l'appareil.
- d. Ne déplacez pas l'appareil lorsqu'il est en marche.
- e. Cet appareil n'est pas un appareil de chauffage et ne devrait jamais être utilisé à cet effet.

⚠ AVERTISSEMENT

Les araignées et les insectes peuvent nicher à l'intérieur du brûleur de l'appareil et nuire à l'écoulement des gaz. Assurez-vous d'inspecter le brûleur au moins une fois par année.

⚠ AVERTISSEMENT

Si une allumette est utilisée pour allumer l'appareil, assurez-vous d'utiliser le porte-allumettes inclus.

⚠ AVERTISSEMENT

Entreposez cet appareil à l'intérieur seulement si le cylindre à gaz est déconnecté.

⚠ AVERTISSEMENT

N'entreposez pas le cylindre à gaz dans un bâtiment, un garage ou tout autre endroit fermé et mettez-le à l'écart des enfants en tout temps.

⚠ AVERTISSEMENT

Cet appareil n'est pas conçu pour être installé dans ou sur un véhicule de plaisance ou un bateau.

⚠ AVERTISSEMENT

Vérifiez l'étanchéité de tous les raccords d'alimentation en gaz avant chaque utilisation. Cet appareil ne doit pas être utilisé avant que l'étanchéité de tous les raccords ait été vérifiée.

⚠ AVERTISSEMENT

Ne fumez pas pendant la vérification de l'étanchéité. Ne vérifiez jamais l'étanchéité avec une flamme nue.

⚠ AVERTISSEMENT

Lors de l'allumage, gardez le visage et les mains aussi loin que possible de l'appareil.

⚠ AVERTISSEMENT

Le dégagement minimum entre les côtés de l'unité et une construction combustible est de 610 mm (24 pouces).

Le dégagement minimum entre l'arrière de l'unité et une construction combustible est de 915 mm (36 pouces).

⚠ AVERTISSEMENT

Ce manuel d'instruction comprend d'importantes informations nécessaires au bon assemblage et à l'utilisation sécuritaire de l'appareil. Assurez-vous de lire et de suivre tous les avertissements et les instructions avant d'assembler et d'utiliser l'appareil. Assurez-vous de suivre tous les avertissements quand vous utilisez l'appareil. Conservez ce manuel à titre de référence.

⚠ AVERTISSEMENT

Ce manuel précise qu'un four, une friteuse ou un grilloir ne doit pas être utilisé sur ou sous le balcon ou la terrasse d'un appartement ou d'une copropriété.

⚠ AVERTISSEMENT

Cet appareil n'est pas conçu pour être installé dans ou sur un bateau. Cet appareil n'est pas conçu pour être installé dans ou sur un véhicule de plaisance.

⚠ AVERTISSEMENT

Tenez le tuyau d'alimentation en carburant à l'écart de toutes surfaces chauffées.

⚠ AVERTISSEMENT

Ce manuel comporte une directive de nettoyage et d'inspection du tuyau avant chaque utilisation de l'appareil. S'il y a des signes d'abrasion, d'usure, de fentes ou de fuites, le tuyau doit être remplacé avant que l'appareil soit mis en fonction. Le tuyau de remplacement doit être celui spécifié par le fabricant.

⚠ AVERTISSEMENT

Cet appareil doit être utilisé à l'extérieur seulement et ne doit pas être utilisé dans un bâtiment, un garage ou tout autre endroit fermé.

⚠ AVERTISSEMENT

Ce manuel comprend une liste des pièces nécessaires pour un fonctionnement sécuritaire de l'appareil, des instructions pour un bon assemblage et pour le montage des pièces installées et des accessoires fournis avec l'appareil, ainsi que des procédures appropriées pour les tests de fuite de gaz.

⚠ AVERTISSEMENT

L'appareil ne doit pas être placé ou utilisé sous des matériaux de construction ou des surfaces combustibles non protégés. Le dégagement minimal pour un gril, une friteuse ou un grilloir sera d'au moins 3 m (10 pi) de toute structure ou tout matériau combustible.

⚠ AVERTISSEMENT

Assurez-vous que les pieds de l'Ooni Karu 12 sont complètement déployés avant de l'utiliser.

⚠ AVERTISSEMENT

Pour éviter un choc, ne touchez pas l'extrémité de l'électrode lorsque vous allumez le brûleur.

⚠ AVERTISSEMENT

Assurez-vous que le conduit de cheminée est complètement ouvert pendant l'utilisation.

⚠ AVERTISSEMENT

N'ajustez pas le conduit de la cheminée pendant l'utilisation.

⚠ AVERTISSEMENT

Restez loin des gaz d'échappement chauds provenant de la cheminée.

⚠ AVERTISSEMENT

Veillez à ce qu'il y ait une distance d'au moins 90 mm (3,5 po) entre les bords des pieds du four et le bord de la surface de la table.

⚠ AVERTISSEMENT RÉSERVOIR À GAZ LP

1. Ne rangez jamais le cylindre à gaz propane liquide de rechange sous cet appareil ou à proximité.
2. Ne remplissez jamais le cylindre à plus de 80 % de sa capacité.
3. Le cylindre à propane liquide doit comprendre un dispositif de prévention du trop-plein (DPTP).
4. Le non-respect des consignes ci-dessus pourrait causer un incendie mortel ou de blessures graves.
5. Ce manuel indique que l'installation doit être conforme aux codes locaux et en l'absence de ces codes, l'installation doit être conforme au National Fuel Gas Code, ANSI Z223.1/NFPA 54, Storage and Handling of Liquefied Petroleum Gases, ANSI/NFPA 58; ou au Natural Gas and Propane Installation Code, CSA B149.1; Propane Storage and Handling, CSA B149.2



Tenez-vous sur le côté de l'appareil en allumant le four; ne regardez jamais directement la flamme ou dans le four.



Le régulateur à gaz fourni peut ne pas être conforme à l'utilisation dans votre territoire ou région. Pour plus d'informations, consultez les réglementations locales.

Étape 1

Installez le tuyau flexible (si nécessaire).

Les régulateurs et les raccords de conduits varieront selon votre région.

Si votre brûleur à gaz Ooni pour Ooni Karu 12 comprend une extrémité de tuyau femelle fileté, procédez à l'étape 1a.

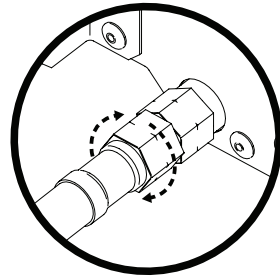
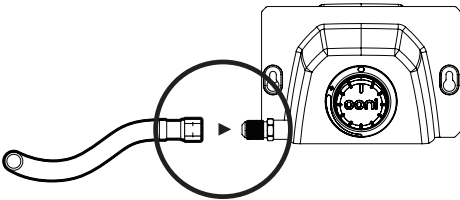
Si votre brûleur à gaz Ooni Karu 12 comprend une barbelure fileté ainsi qu'un tuyau standard avec un collier de serrage, procédez à l'étape 1b et ensuite, à l'étape 1c.

Si votre brûleur à gaz Ooni Karu 12 comprend un tuyau standard avec un collier de serrage, procédez à l'étape 1c.

Si votre brûleur à gaz Ooni Karu 12 comprend un tuyau préinstallé, procédez à l'étape 2.

Étape 1a

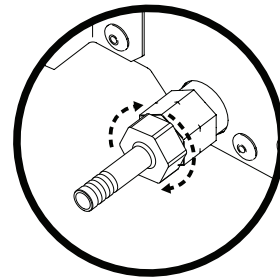
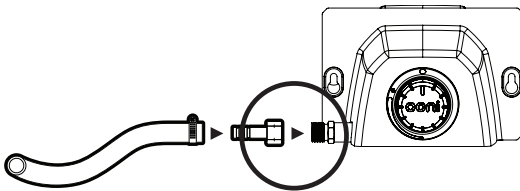
Serrez avec une clé appropriée



! Serrez dans le sens inverse des aiguilles d'une montre.

Étape 1b

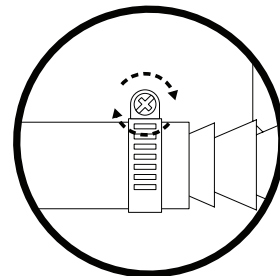
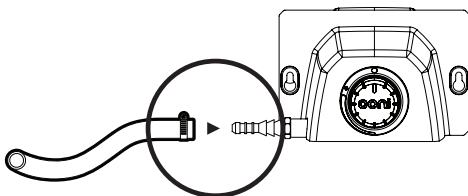
Serrez avec une clé appropriée, puis suivez l'étape 1c.



! Serrez dans le sens inverse des aiguilles d'une montre.

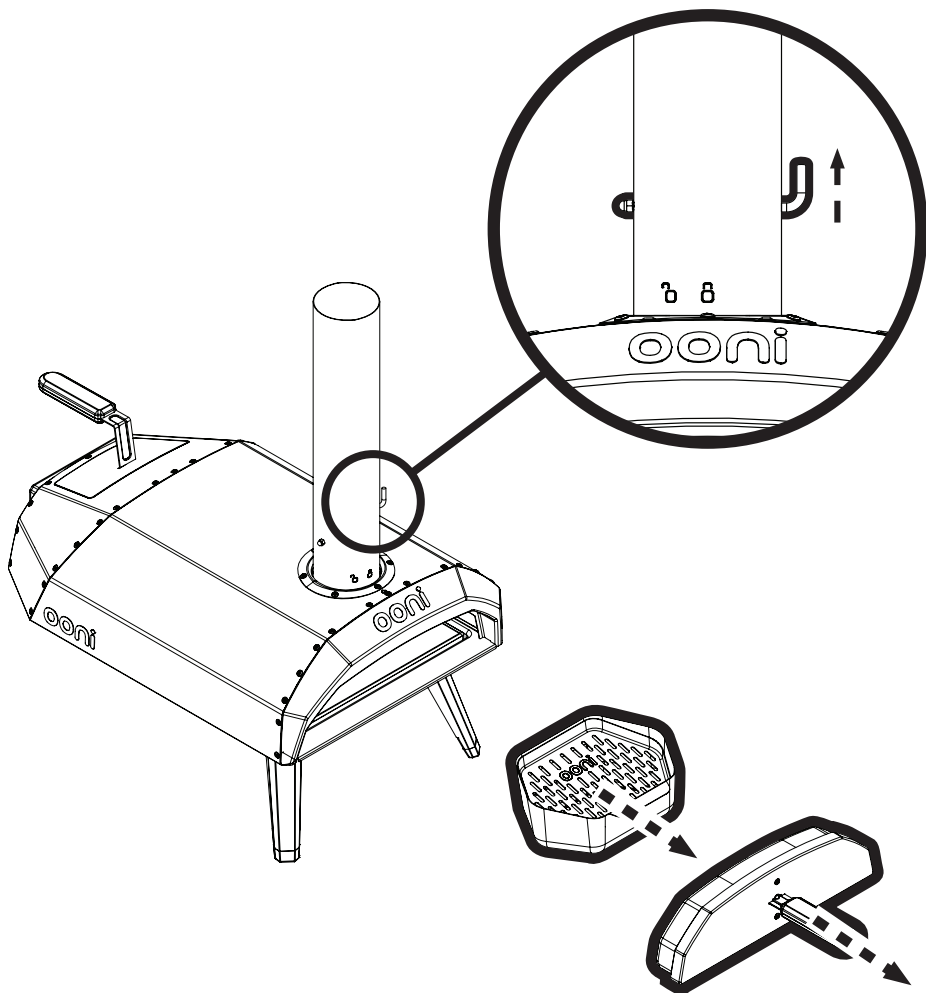
Étape 1c

Serrez avec un tournevis approprié.



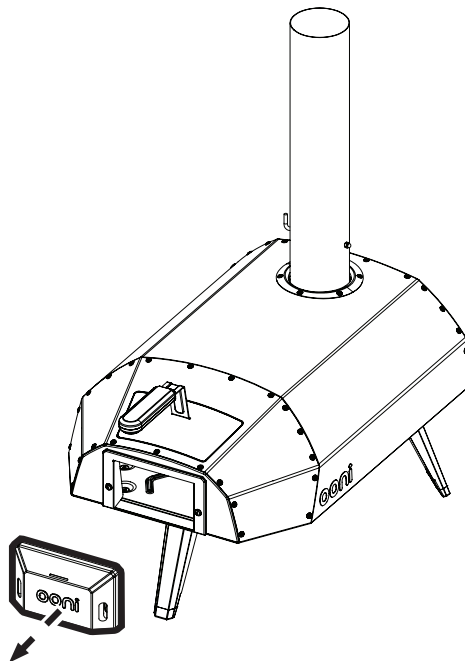
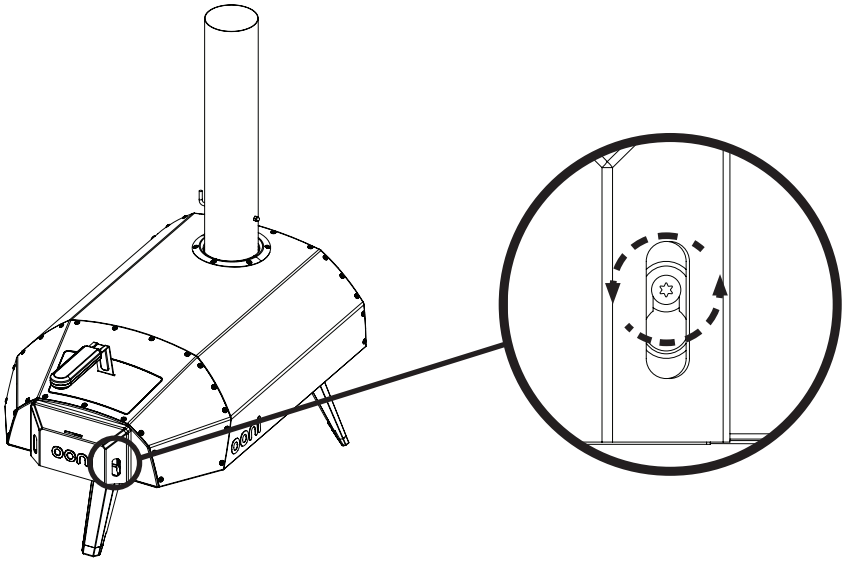
Étape 2

Retirez la porte et le bac à combustible et assurez-vous que l'évent de la cheminée est ouvert.



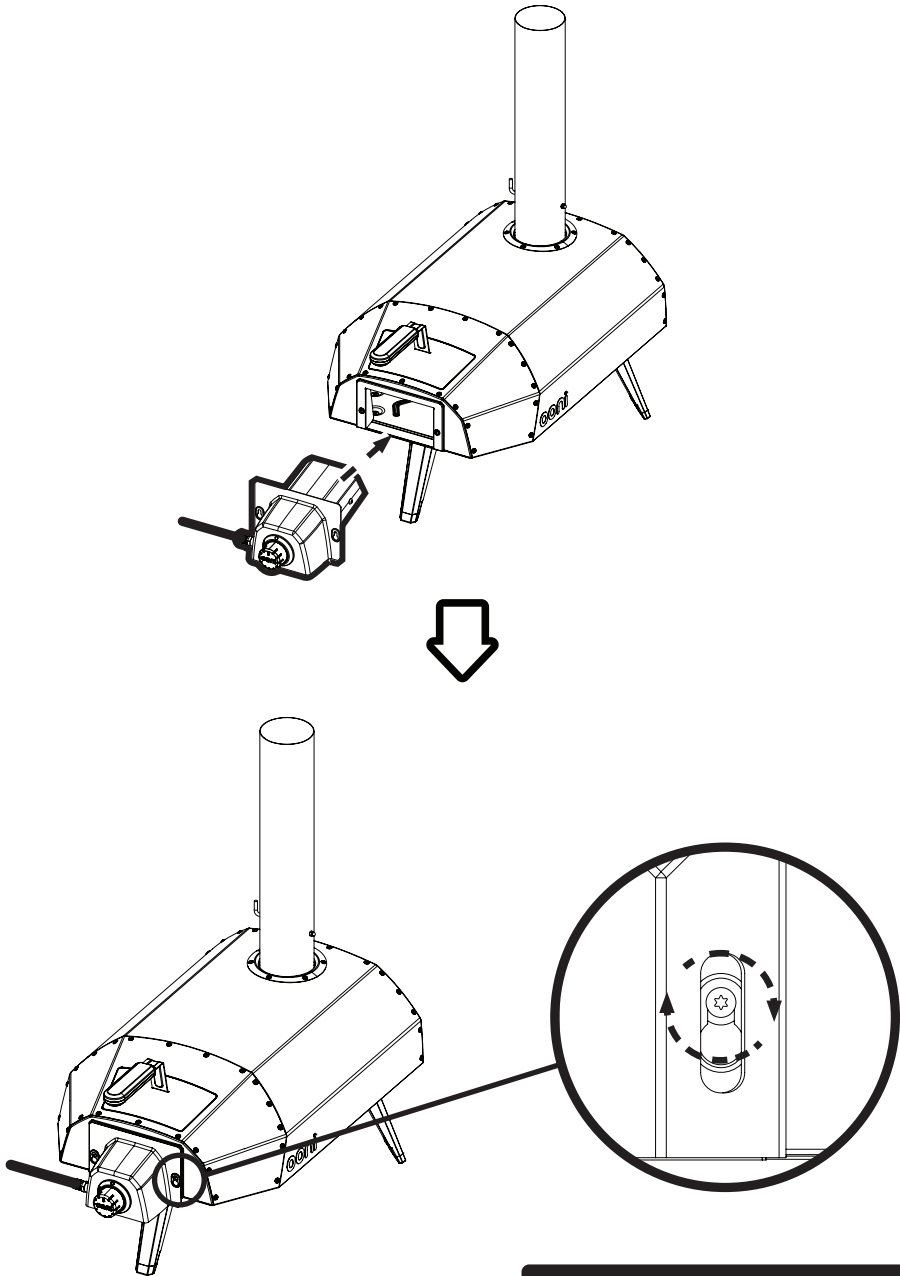
Étape 3

Retirez la plaque de tirage contre les courants d'air.



Étape 4

Ajoutez un brûleur à gaz Ooni pour Ooni Karu 12.



! Vissez bien, mais sans trop serrer les vis.

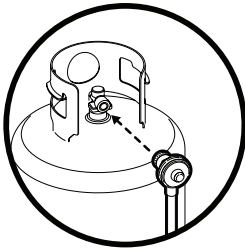
Étape 6

Raccordez-le à la bombonne à gaz.

Les régulateurs varieront selon votre région.

⚠ AVERTISSEMENT

- Gardez toujours la bouteille à gaz en position verticale.
- Le cylindre à gaz LP de 20 lb mesure 12,2 po de diamètre et 17,9 po de hauteur
- Lorsque l'appareil n'est pas utilisé, le gaz doit être fermé à partir du cylindre d'alimentation.
- Le cylindre doit comprendre un collier pour protéger la vanne du cylindre.
- La distance minimale entre l'appareil et le réservoir d'essence de 20 lb est de 40 po.



Régulateur à gaz QCCI

Cet accessoire à gaz tourne dans le sens des aiguilles d'une montre. Assurez-vous que le réservoir est complètement éteint et vissez le régulateur le plus loin possible dans la vanne du réservoir à gaz.

Connexion du cylindre à propane liquide

1. La vanne du cylindre doit être en position ARRÊT.
2. Assurez-vous que la vanne du brûleur est en position ARRÊT.
3. Inspectez les connexions de la vanne, du port et de l'assemblage du régulateur. Enlevez les débris et inspectez le tuyau pour vous assurer qu'il n'est pas endommagé.
4. Lors de la connexion de l'assemblage du régulateur à la vanne, serrez l'écrou à la main jusqu'au bout dans le sens des aiguilles d'une montre.
Utiliser une clé peut endommager l'écrou à serrage rapide et causer une situation dangereuse.
5. Ouvrez complètement la vanne du réservoir en la tournant dans le sens inverse des aiguilles d'une montre.
6. Avant d'allumer le four, utilisez une solution d'eau et de savon pour vérifier l'étanchéité de tous les raccords.
7. Si une fuite est détectée, fermez la vanne du cylindre et n'utilisez pas le four jusqu'à ce qu'un détaillant local de propane liquide peut la réparer.

Déconnexion du cylindre à propane liquide

1. Fermez la vanne du brûleur du four et assurez-vous que le four est refroidi.
2. Fermez la vanne du cylindre de propane liquide en la tournant dans le sens des aiguilles d'une montre jusqu'à ce qu'elle se ferme.
3. Enlevez l'assemblage du régulateur de la vanne de la bouteille en tournant l'écrou à serrage rapide dans le sens inverse des aiguilles d'une montre.
4. Placez le capuchon pare-poussière à la sortie de la vanne du cylindre lorsqu'elle n'est pas utilisée.

Vérification de l'étanchéité

Général

Même si l'étanchéité des raccordements en gaz de l'appareil est vérifiée avant l'emballage et l'expédition, une vérification complète doit être effectuée au site de l'installation.

Avant chaque utilisation, vérifiez l'étanchéité de tous les raccords de gaz en suivant la procédure indiquée ci-dessous. Si, à tout moment, vous détectez une odeur de gaz, arrêtez de l'utiliser immédiatement et vérifiez l'étanchéité de tout le système.

Avant la vérification

Assurez-vous que tout le matériel d'emballage a été retiré de l'appareil.

Préparez une solution faite d'une partie de détergent liquide et d'une partie d'eau. Vous aurez besoin d'un flacon pulvérisateur, d'une brosse ou d'un chiffon pour appliquer la solution sur les raccords.

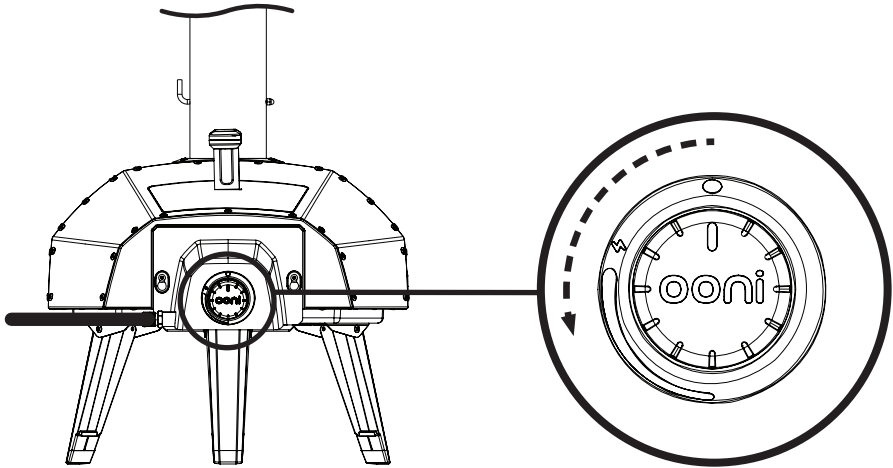
Pour faire la vérification

1. Mettez la vanne du brûleur en position ARRÊT.
2. Pour ouvrir la vanne du réservoir de propane liquide, tournez-la dans le sens inverse des aiguilles d'une montre.
3. Appliquez la solution savonneuse sur tous les raccords à gaz. Si une fuite est présente, des bulles de savon apparaîtront.
4. S'il y a présence de fuite, fermez immédiatement l'alimentation en gaz et resserrez les raccords qui coulent.
5. Rallumez le gaz et vérifiez de nouveau.
6. Si le gaz continue à fuir de l'un des raccords, coupez l'alimentation en gaz et contactez le service à la clientèle.

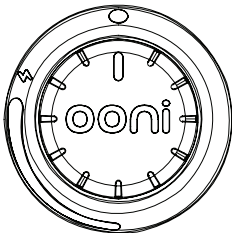
Étape 6

Allumage

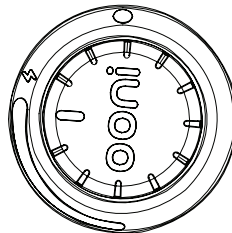
1. Ouvrez le gaz à partir de la bombonne.
2. Enfoncez le bouton et tournez-le dans le sens inverse des aiguilles d'une montre jusqu'à ce qu'il s'enclenche.
Ne tournez pas trop vite.
De la pression au clic, cela devrait prendre environ 3 secondes.
3. Tenez le bouton enfoncé pendant 5 secondes puis relâchez-le.



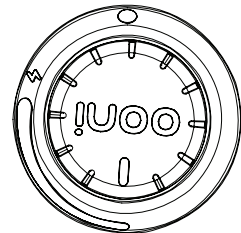
Arrêt



Puissance maximale



Puissance minimale

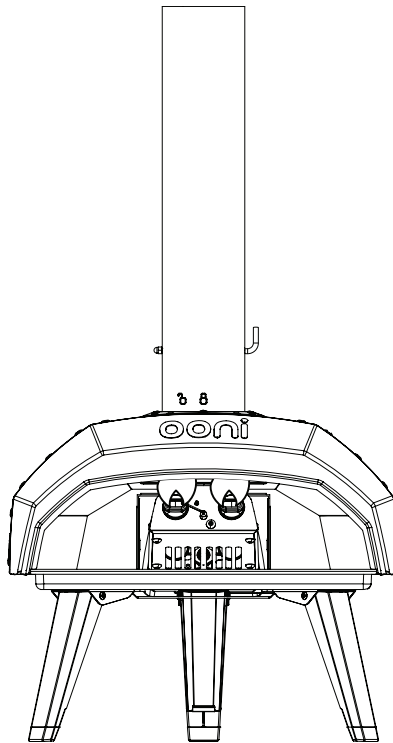


Tenez-vous à l'écart du four lors de l'allumage – veillez à ce que personne ne se trouve à moins d'un mètre (3 pieds) de l'avant du four. Gardez un bras de distance du four lorsque vous l'allumez et ne vous penchez pas au-dessus du four lorsque vous l'allumez.

Étape 7

Vérifiez que le brûleur est allumé.

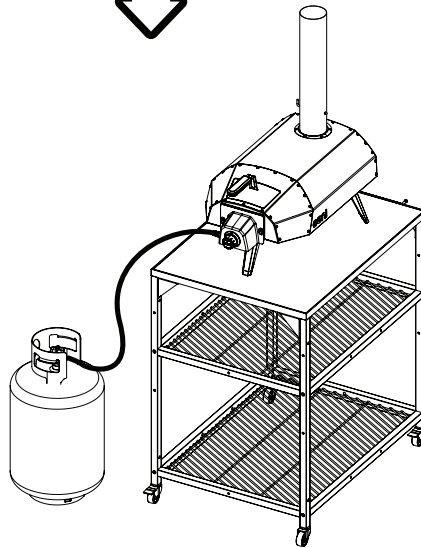
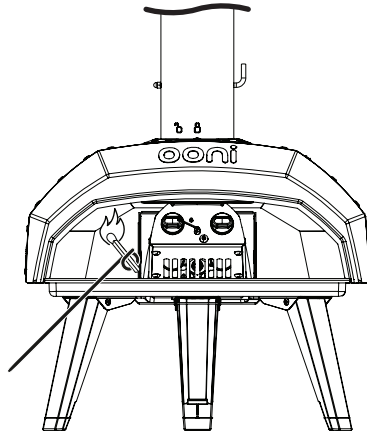
1. Sinon, fermez le gaz et retournez à l'étape 6.
2. Si le brûleur ne s'allume toujours pas, retournez à l'étape 8.



Étape 8

Allumage – avec une allumette

Si un brûleur ne s'allume toujours pas, utilisez une allumette et le porte-allumette fourni pour l'allumer par la trappe située devant le four. Tenez-le devant les brûleurs. Appuyez et tournez le bouton comme décrit à l'étape 6.



⚠ Passez toujours le tuyau de gaz loin du four. Le tuyau ne doit pas toucher le corps du four

⚠ Si les flammes s'éteignent, fermez le gaz et attendez 5 minutes avant de le rallumer.

Dépannage




Problème	Cause possible	Prévention/solution
Mon four ne devient pas assez chaud	<ol style="list-style-type: none"> 1. Bouteille à gaz vide 2. Tuyau qui a des fentes ou des fuites 3. Régulateur qui n'a pas été bien réparé 4. Utilisation dans des conditions extrêmes 	<ol style="list-style-type: none"> 1. La bouteille à gaz doit être pleine. Même une petite quantité de gaz à l'intérieur peut avoir un effet sur le rendement du brûleur à gaz. 2. Assurez-vous qu'il n'y a pas de fentes ou de fuites sur le tuyau. 3. Assurez-vous que le régulateur est fixé correctement à la bouteille à gaz et que le tuyau est attaché fermement au brûleur à gaz et qu'il soit serré avec une clé de taille appropriée comme indiqué dans le manuel d'instruction. 4. Votre brûleur à gaz et votre four ne doivent pas être utilisés dans des conditions extrêmes (p. ex. : temps très venteux)
Mon brûleur à gaz ne s'allume pas	<ol style="list-style-type: none"> 1. Mauvaise installation 2. Bouteille à gaz vide 3. Tuyau qui a des fentes ou des fuites 4. Technique d'allumage inappropriée 5. Régulateur qui n'a pas été bien réparé 6. Mauvais alignement de l'allumeur 	<ol style="list-style-type: none"> 1. Assurez-vous que le capuchon de cheminée est enlevé et que les trappes d'aération ainsi que la cheminée sont ouvertes. La porte devrait être ouverte. 2. La bouteille à gaz doit être pleine. Même une petite quantité de gaz à l'intérieur peut avoir un effet sur le rendement du brûleur à gaz. 3. Assurez-vous qu'il n'y a pas de fentes ou de fuites sur le tuyau. 4. Tourner le cadran trop rapidement peut empêcher l'allumage du brûleur à gaz. 5. Assurez-vous que le régulateur est fixé correctement à la bouteille à gaz et que le tuyau est attaché fermement au brûleur à gaz et qu'il soit serré avec une clé de taille appropriée comme indiqué dans le manuel d'instruction. 6. Repositionnez la pointe de l'allumeur de manière à ce qu'elle soit à 2 ou 3 mm de l'avant du chapeau du brûleur.
Ma flamme est trop jaune/trop bleue	Les changements dans l'environnement, la nourriture que vous cuisinez, la température ambiante et l'état de votre Ooni peuvent tous avoir un effet sur la couleur de la flamme.	La couleur de la flamme ne changera pas le goût ni la qualité de la nourriture.
Ma sonde de surveillance de la flamme (FSD) ne fonctionne pas correctement	De la suie s'est peut-être accumulée sur ma sonde de surveillance de la flamme (FSD)	Assurez-vous que le brûleur à gaz de même que l'alimentation en gaz sont fermés et attendez que le brûleur se refroidisse. Nettoyez doucement la sonde et les trous du brûleur avec un chiffon humide et laissez le brûleur sécher complètement avant de le rallumer.
Le brûleur à gaz de l'Ooni ne maintient pas sa flamme.	<ol style="list-style-type: none"> 1. Manque d'oxygène 2. Le four est placé sur une surface inégale 	<ol style="list-style-type: none"> 1. Ouvrez la ventilation de la cheminée de votre Ooni pour permettre une meilleure circulation d'air dans le four. 2. Si votre Ooni est incliné, l'oxygène ne circulera pas aussi bien. Essayez de l'installer sur une surface plane.
J'entends un grondement venant du brûleur à gaz et mes flammes sont très faibles.	La flamme brûle à l'intérieur des ouvertures	Fermez immédiatement l'alimentation en gaz de même que le brûleur à gaz et attendez 5 minutes avant de rallumer le brûleur à gaz.

Informations techniques du produit

Numéro de modèle

Ooni Karu 12

Étiquette du produit

		ANSIZ21.89-2017 CSA 118-2017 Outdoor Cooking Specialty Gas Appliance / Cuisiner en plein air spécialisés appareils à gaz		EN For outdoor use only. If stored indoors, detach and leave cylinder outdoors. Do not store spare LP-gas cylinder under or near the appliance. Never fill the cylinder beyond 80 percent full. If the information beyond is not followed exactly, a fire causing death or serious injury may occur. Minimal clearance from sides and back of the unit to combustible construction, 36 inches from the sides and 36 inches from the front. Do not use the appliance under overhead combustible surfaces. CAUTION: Use only the gas pressure regulator supplied with this appliance. This regulator is set for an outlet pressure of 11w.c. Turn off the LP supply at cylinder when appliance is not in use. This appliance is not intended for commercial use.
Ooni Limited, Unit 5 Bishopsgate Business Park, 189 West Main Street, Broxburn, West Lothian, Scotland, EH52 5LH				
Ooni Karu 12 Gas Burner / Brûleur à gaz Ooni Karu 12				
	LP	Rate Input / Taux d'entrée (BTU/H)		
Components / Composant	Orifice size / Taille de l'orifice			
Main burner / Brûleur principal	0.85	17500		
 <p>Stand to side when relighting - never look directly into the oven or at the flame. Colóquese a un lado cuando vuelva a encenderlo, nunca mire directamente al horno o a la llama. Tiens-toi sur le côté lors du réallumage. Ne regarde jamais directement la flamme ou l'intérieur du four.</p>		LIGHTING INSTRUCTION - TO LIGHT THE BURNER Read all instructions before lighting Make sure the control knob is in OFF position, and then turn the liquid propane cylinder valve ON by slowly turning counterclockwise. Push in and slowly turn the control knob anticlockwise until you hear a click and the burner ignites. If the burner doesn't light, turn the knob OFF, wait 5 minutes and repeat the lighting.		
FR Pour une utilisation extérieure seulement. Si l'appareil est rangé à l'intérieur, retirez le cylindre et laissez-le à l'extérieur. Ne rangez pas le cylindre à gaz de recharge LP sous l'appareil ou à proximité. Ne remplissez jamais le cylindre à plus de 80 % de sa capacité. Le non-respect des consignes ci-dessus pourrait causer un incendie mortel ou de blessures graves. Le dégagement minimum entre les côtés de l'unité et une construction combustible est de 36 po des côtés et de 36 po du devant. N'utilisez pas l'appareil sous des surfaces combustibles. AVERTISSEMENT : Utilisez seulement le régulateur de pression à gaz fourni avec cet appareil. Ce régulateur est conçu pour une sortie de pression de 11 pouces CE. Fermez l'alimentation LP au cylindre lorsque l'appareil n'est pas utilisé. Cet appareil n'est pas conçu pour un usage commercial. INSTRUCTIONS D'ALLUMAGE - POUR ALLUMER LE BRÛLEUR Lisez bien toutes les instructions avant de procéder à l'allumage Assurez-vous que le bouton de commande est en position ARRÊT, puis activez la vanne du cylindre de propane liquide en la tournant lentement dans le sens contraire des aiguilles d'une montre. Enfoncez le bouton de commande et tournez-le lentement dans le sens contraire des aiguilles d'une montre jusqu'à ce qu'il s'enclenche et que le brûleur s'allume. Si le brûleur ne s'allume pas, fermez le bouton de commande, attendez 5 minutes puis recommencez le processus d'allumage.		ES Solo para utilizar en exteriores. Si se guarda en interiores, desconecta el cilindro y mantenlo en exteriores. No conserves el cilindro de gas propano líquido de repuesto debajo o cerca del electrodoméstico. Nunca llenes el cilindro en más del 80 % de su capacidad total. Si la información anterior no se sigue de manera exacta, puede ocurrir un incendio y provocar lesiones graves o la muerte. La distancia mínima entre las partes laterales y posterior de la unidad y una construcción inflamable debe ser de 36 pulgadas desde los laterales y 36 pulgadas desde el frente. No utilices este electrodoméstico bajo superficies inflamables. PRECAUCIÓN: Utiliza solo el regulador de presión de gas que se suministra con este electrodoméstico. Este regulador está configurado para una presión de salida de 11 iwc. Apaga el suministro de gas propano líquido en el cilindro cuando no utilices el electrodoméstico. Este electrodoméstico no está diseñado para uso comercial. INSTRUCCIONES DE ENCENDIDO: PARA ENCENDER EL QUEMADOR Lee todas las instrucciones antes de encenderlo. Asegúrate de que la perilla de control esté en la posición de apagado; luego, enciende la válvula del cilindro de gas propano líquido girándola lentamente hacia la izquierda. Presiona y gira la perilla de control lentamente hacia la izquierda hasta que escuches un clic y el quemador se encienda. Si el quemador no se enciende, apaga la perilla, espera 5 minutos y vuelve a encenderlo.		

Brûleur à gaz Ooni Karu 12

Type de gaz	Nombre de brûleurs	Taille de l'injecteur du brûleur principal	Consommation totale de gaz BTU	Pression de gaz kPa
Propane	1	0,85 mm	17 500	2,8

! AVERTISSEMENT :

Ne pulvérisez pas d'aérosols à proximité de cet appareil lorsqu'il est en fonctionnement.
 N'utilisez pas et ne rangez pas de matériaux inflammables dans cet appareil ou à proximité.
 Ne placez pas d'articles sur cet appareil ou contre lui. Ne modifiez pas cet appareil

of the information science community. The author is grateful to the referees for their helpful comments.

*Received for consideration 12 October 2002
Accepted for publication 12 February 2003*

of the information science community. The author is grateful to the referees for their helpful comments.

*Received for consideration 12 October 2002
Accepted for publication 12 February 2003*

ooni.com

© 2021 Ooni

Ooni is a registered trademark of Ooni Ltd.

All rights reserved.