



TABLES AND SINKS

SERVING THE FOOD INDUSTRY SINCE 1951

WORKTABLES WITH CABINET AND SLIDING DOORS



FEATURES

- 16-gauge 430 stainless steel flat top shelf
- 18-gauge 430 stainless steel hat channel and pillaster strip
- 18-gauge 430 stainless steel back, side, bottom and intermediate shelf
- 18-gauge 430 stainless steel sliding doors with recessed handle
- Stainless steel leg with stainless steel bullet feet



WARRANTY



Authorized Dealer

TABLES AND SINKS

30" X 60" WORKTABLE WITH CABINET AND SLIDING DOORS



NELLA

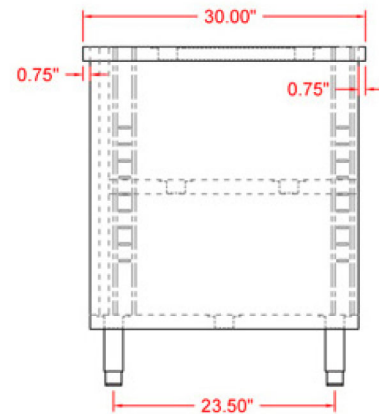
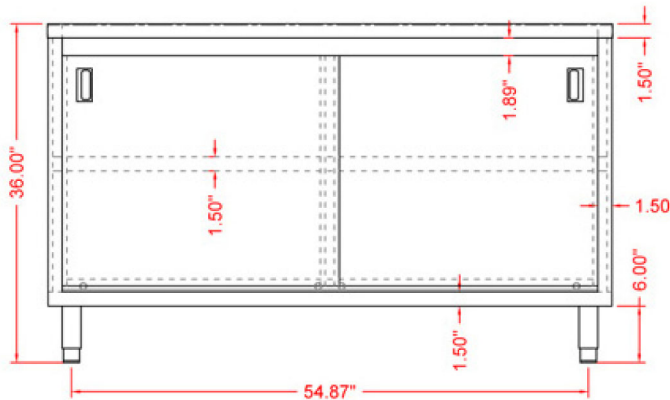
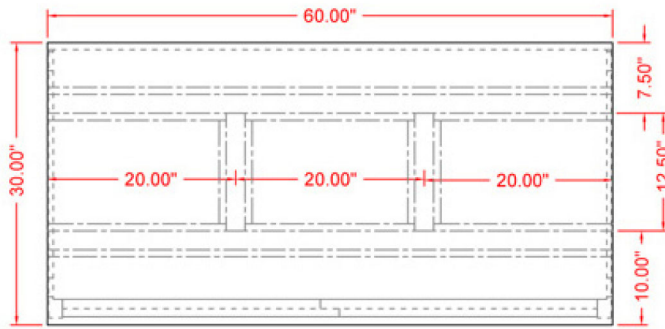


Product may not be exactly as shown.

TECHNICAL SPECIFICATIONS

ITEM	44193
LOAD CAPACITY	380 lbs. / 172 kg.
WEIGHT	190 lbs. / 86 kg.
DIMENSIONS (DWH)	30" x 60" x 36" 762 x 1524 x 914.4 mm
GROSS WEIGHT	199 lbs. / 90 kg.
GROSS DIMENSIONS	31" x 31" x 62" 635 x 787.4 x 1574.8 mm

TECHNICAL DRAWINGS WITH DETAILED DIMENSIONS



NELLA

Telephone: 416-740-2424
 Email: help@nellaonline.com
 Website: www.nellaonline.com