

COMMERCIAL PASTA COOKERS**Pasta Cookers-Natural Gas**

ITEM: 48000

MODEL: CE-CN-0022-NG



Ideal for preparing large quantities of pasta, this pasta cooker enhances efficiency in commercial kitchens.

Whether you're making traditional spaghetti or unique pasta dishes, this pasta cooker is a dependable and practical asset for any professional kitchen environment.

FEATURES:

Compact design seamlessly integrates into your kitchen setup while offering ample space to cook multiple pasta batches simultaneously.

Sturdy stainless steel build guarantees durability and simplifies cleaning and maintenance, essential in bustling kitchen settings.

Robust 140,000 BTU heating capacity tailored for natural gas use, ensuring quick heating and consistent, efficient cooking every time.

Impressive 22-gallon capacity and 12 stainless steel baskets included, you can effortlessly prepare various pasta types or multiple batches with ease.



Authorized Dealer

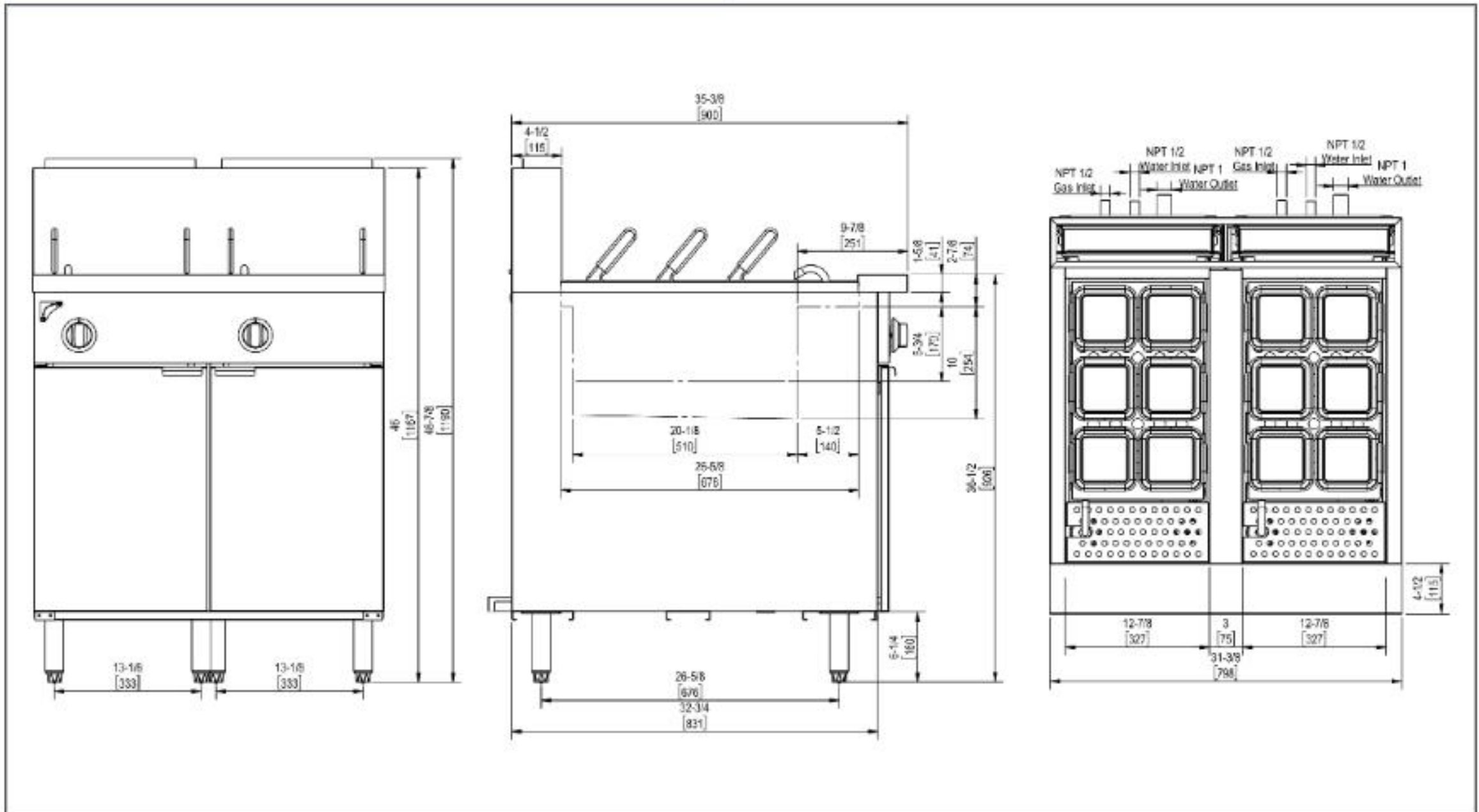
**1 YEAR
WARRANTY**
PARTS AND LABOUR

COMMERCIAL PASTA COOKERS

TECHNICAL SPECIFICATION

Item	48000
Model	CE-CN-0022-NG
Capacity	22 Gal / 41.6L
Gas Type	Natural Gas
Total BTU	140,000 BTU
Includes	12 Stainless Steel Baskets
Net Dimensions	31 3/8" x 35 3/8" x 46 7/8" (798 x 900 x 1190 mm)
Gross Dimensions	38" x 43" x 39" (965 x 1092 x 990.6 mm)
Net Weight	363 lb (164.7 kg)
Gross Weight	402 lb (182 kg)

TECHNICAL DRAWING



NELLA

LOCATIONS

148 NORFINCH DR NORTH
YORK, ON M3N 1X8
416-740-2424

433 QUEEN ST E. TORONTO,
ON M5A 1T5
416-847-1112

1164 ELLESMERE ROAD
SCARBOROUGH, ON M3N 1X8
416-292-0828

WWW.NELLAONLINE.COM
HELP@NELLAONLINE.COM