

**COMMERCIAL PASTA COOKERS****Pasta Cookers-Natural Gas**

ITEM: 47714

MODEL: CE-CN-0011-NG



**Ideal for preparing large quantities of pasta, this pasta cooker enhances efficiency in commercial kitchens.**

Whether you're making traditional spaghetti or unique pasta dishes, this pasta cooker is a dependable and practical asset for any professional kitchen environment.

**FEATURES:**

**Compact design** seamlessly integrates into your kitchen setup while offering ample space to cook multiple pasta batches simultaneously.

**Sturdy stainless steel build** guarantees durability and simplifies cleaning and maintenance, essential in bustling kitchen settings.

**Robust 70,000 BTU heating capacity** tailored for natural gas use, ensuring quick heating and consistent, efficient cooking every time.

**Impressive 11-gallon capacity and 6 stainless steel baskets** included, you can effortlessly prepare various pasta types or multiple batches with ease.



Authorized Dealer

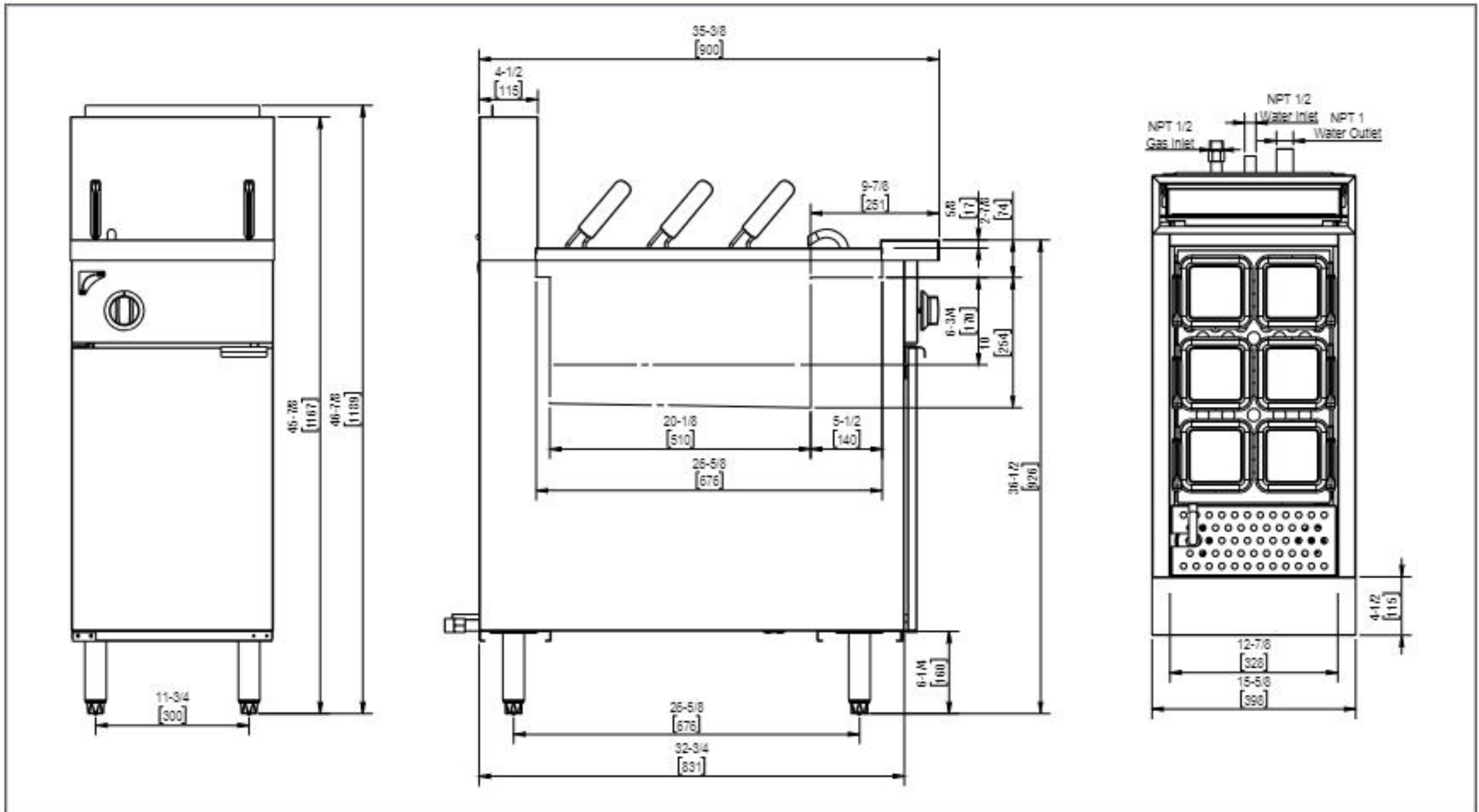
**1 YEAR WARRANTY**  
PARTS AND LABOUR

## COMMERCIAL PASTA COOKERS

### TECHNICAL SPECIFICATION

Item	47717
Model	CE-CN-0011-NG
Capacity	11 Gal / 41.6L
Gas Type	Natural Gas
Total BTU	70,000 BTU
Includes	6 Stainless Steel Baskets
Net Dimensions	15 5/8" x 35 3/8" x 46 7/8" (397 x 900 x 1189 mm)
Gross Dimensions	19" x 38" x 36" (482.6 x 965 x 914 mm)
Net Weight	172 lb (78 kg)
Gross Weight	190 lb (86 kg)

### TECHNICAL DRAWING



**NELLA**

LOCATIONS

148 NORFINCH DR NORTH  
YORK, ON M3N 1X8  
416-740-2424

433 QUEEN ST E. TORONTO,  
ON M5A 1T5  
416-847-1112

1164 ELLESMERE ROAD  
SCARBOROUGH, ON M3N 1X8  
416-292-0828

WWW.NELLAONLINE.COM  
HELP@NELLAONLINE.COM