

**GLASS DOOR REFRIGERATORS****Single Glass Door Black Refrigerated Showcase**

Item: 47563  
Model: RE-CN-145

47586  
RE-CN-215

47460  
RE-CN-305



47563 - 140 L

47586 - 217 L

47460 - 285 L

**FEATURES**

- Black painted stainless steel exterior and white painted interior for a sleek and modern look and lasting durability
- Double-tempered and self-closing glass door for a heat-safe view of the interior and reduced condensation.
- Adjustable coated steel shelves for rearranging the refrigerator space to accommodate different sizes or removing shelves for easy cleaning.
- Frost-free operation for minimum user maintenance and no-frost buildup

**1 YEAR**  
**WARRANTY**  
PARTS AND LABOUR

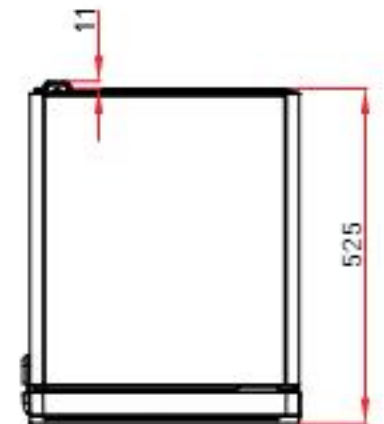


Authorized Dealer

## GLASS DOOR REFRIGERATORS

## SPECIFICATIONS

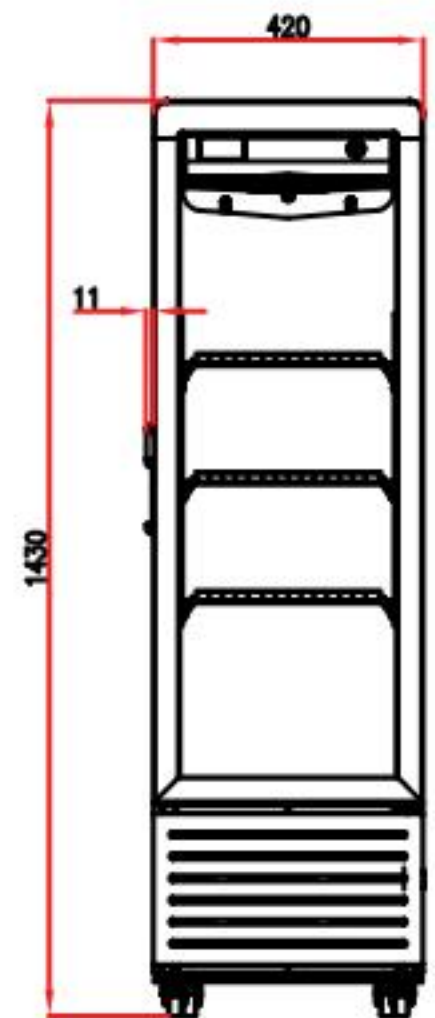
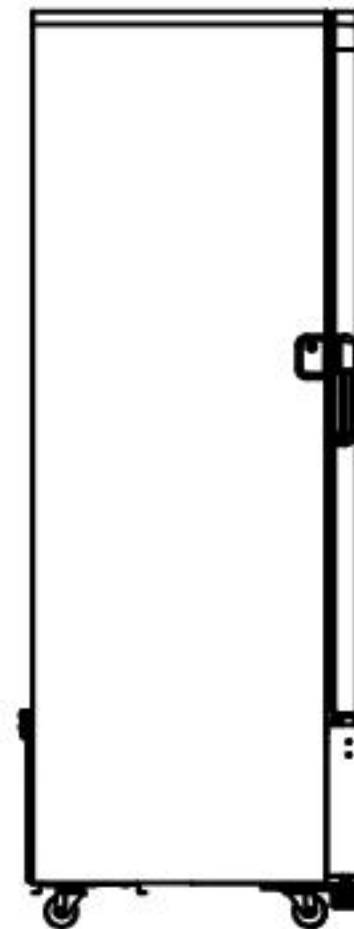
Item Number	47563	47586	47460
Model	RE-CN-145	RE-CN-215	RE-CN-305
Volume	140 L / 4.9 cu.ft.	217 L / 7.7 cu.ft.	285 L / 10.1 cu.ft.
Description	Double tempered glass door with Low-E		
Door Frame	PVC		
Refrigerant	R600a / 1.27g	R600a / 1.48g	R600a / 1.69g
Temperature Range	0 - 10°C / 32 - 50°F		
Electrical	110V / 60Hz / 1Ph		
Current	1.3A	1.3A	1.5A
Power	130W	130W	150W
Cooling System	Air Forced / Ventilated / No Frost		
Lock/Key	Yes		
Side LED Light	Yes		
Casters	Yes		
Number of Shelves	3	3	4
Net Dimensions (WDH)	16.5" x 20.7" x 56.3" 420 x 525 x 1430 mm	21.1" x 20.7" x 62.2" 535 x 525 x 1580 mm	22.6" x 20.7" x 71.3" 575 x 525 x 1810 mm
Gross Dimensions (WDH)	19.7" x 22.8" x 58.4" 500 x 580 x 1483 mm	24.2" x 22.8" x 64.3" 615 x 580 x 1633 mm	25.8" x 22.8" x 73.3" 655 x 580 x 1863 mm
Net Weight	92.6 lb. / 42 kg	114.6 lb. / 52 kg	130.1 lb. / 59 kg
Gross Weight	101.4 lb. / 46 kg	125.7 lb. / 57 kg	143.3 lb. / 65 kg



## TECHNICAL DRAWING

\*measurements in diagrams are in mm

47563 - 140 L



**NELLA**  
LOCATIONS

148 NORFINCH DR NORTH  
YORK, ON M3N 1X8  
416-740-2424

433 QUEEN ST E. TORONTO, ON  
M5A 1T5  
416-847-1112

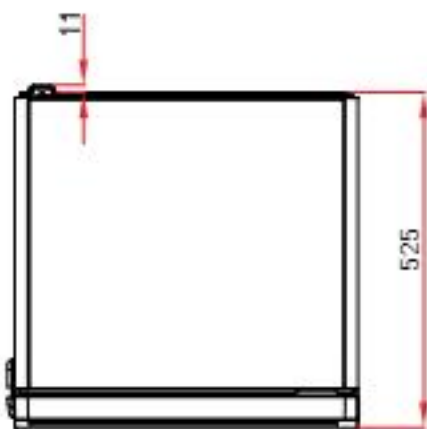
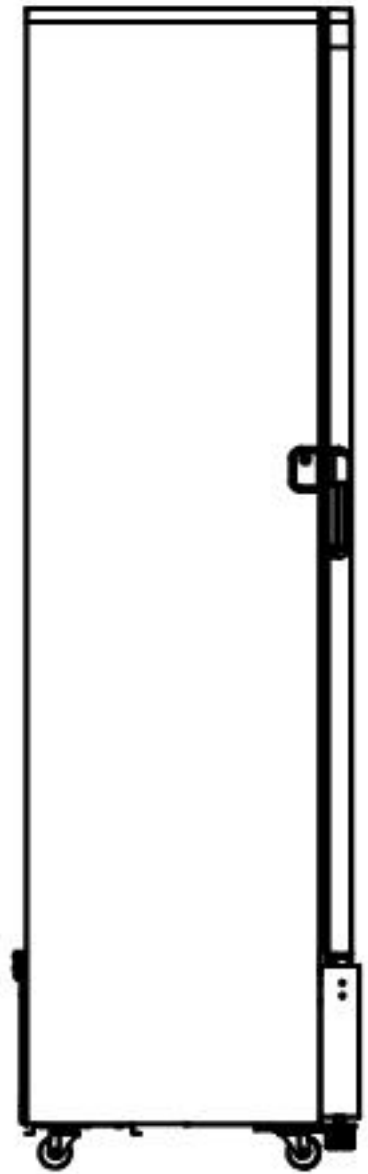
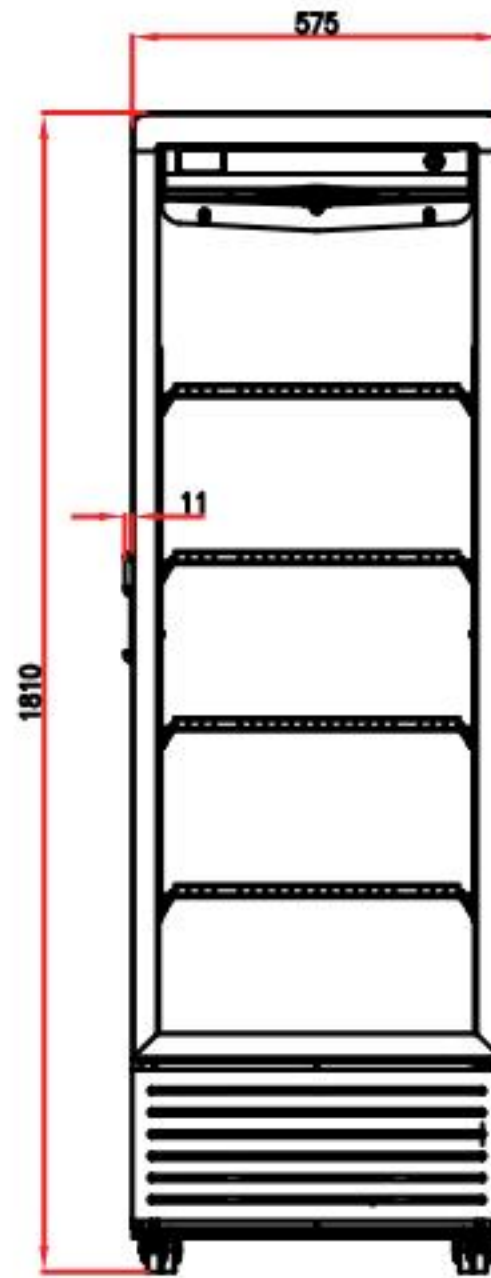
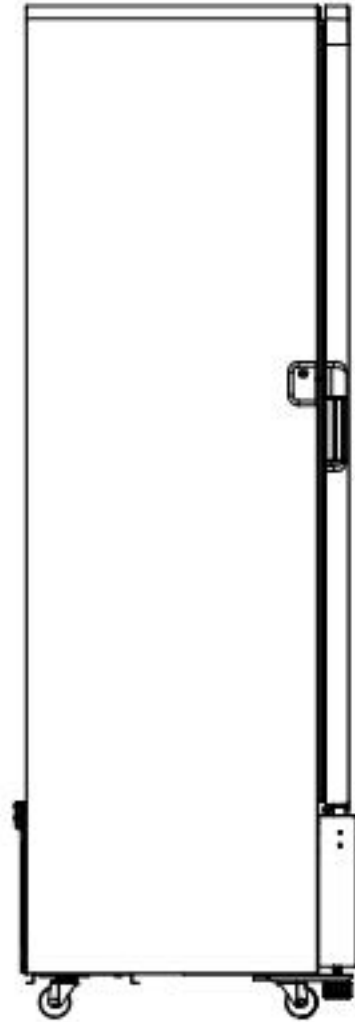
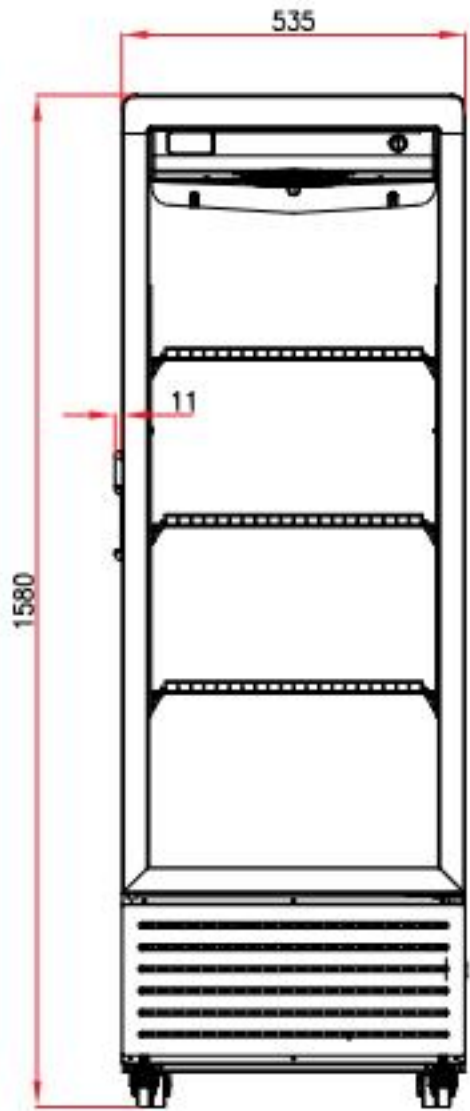
1164 ELLESMERE ROAD  
SCARBOROUGH, ON M3N 1X8  
416-292-0828

WWW.NELLAONLINE.COM  
HELP@NELLAONLINE.COM

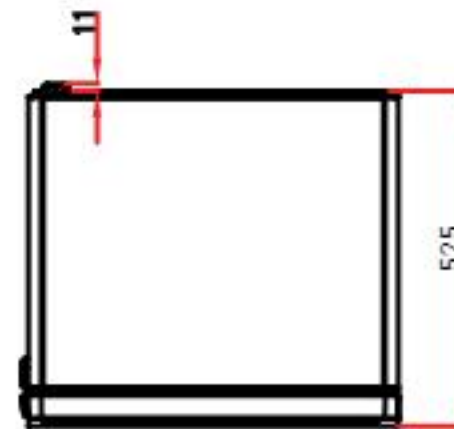
GLASS DOOR REFRIGERATORS

TECHNICAL DRAWING

\*measurements in diagrams are in mm



47586 - 217 L



47460 - 285 L



LOCATIONS

148 NORFINCH DR NORTH  
YORK, ON M3N 1X8  
416-740-2424

433 QUEEN ST E. TORONTO, ON  
M5A 1T5  
416-847-1112

1164 ELLESMERE ROAD  
SCARBOROUGH, ON M3N 1X8  
416-292-0828

WWW.NELLAONLINE.COM  
HELP@NELLAONLINE.COM