

PROPANE STEAM TABLES

OPEN WELL PROPANE STEAM TABLES WITH CUTTING BOARD & UNDERSHELF

Items: 47362, 47363, 47364, 47365

KEEP YOUR HOT FOODS READILY AVAILABLE WITH NELLA!

Perfect for buffets and catering services, Nella's Open Well Propane Steam Tables with Cutting Board and Undershef are designed to keep your hot foods readily available. The undershef is convenient to store extra utensils, food pans, or any other kitchen tools that you need. There is also the cutting board, allowing for extra work space in case you need to fill out your food pans or plates



WARRANTY
PARTS AND LABOR

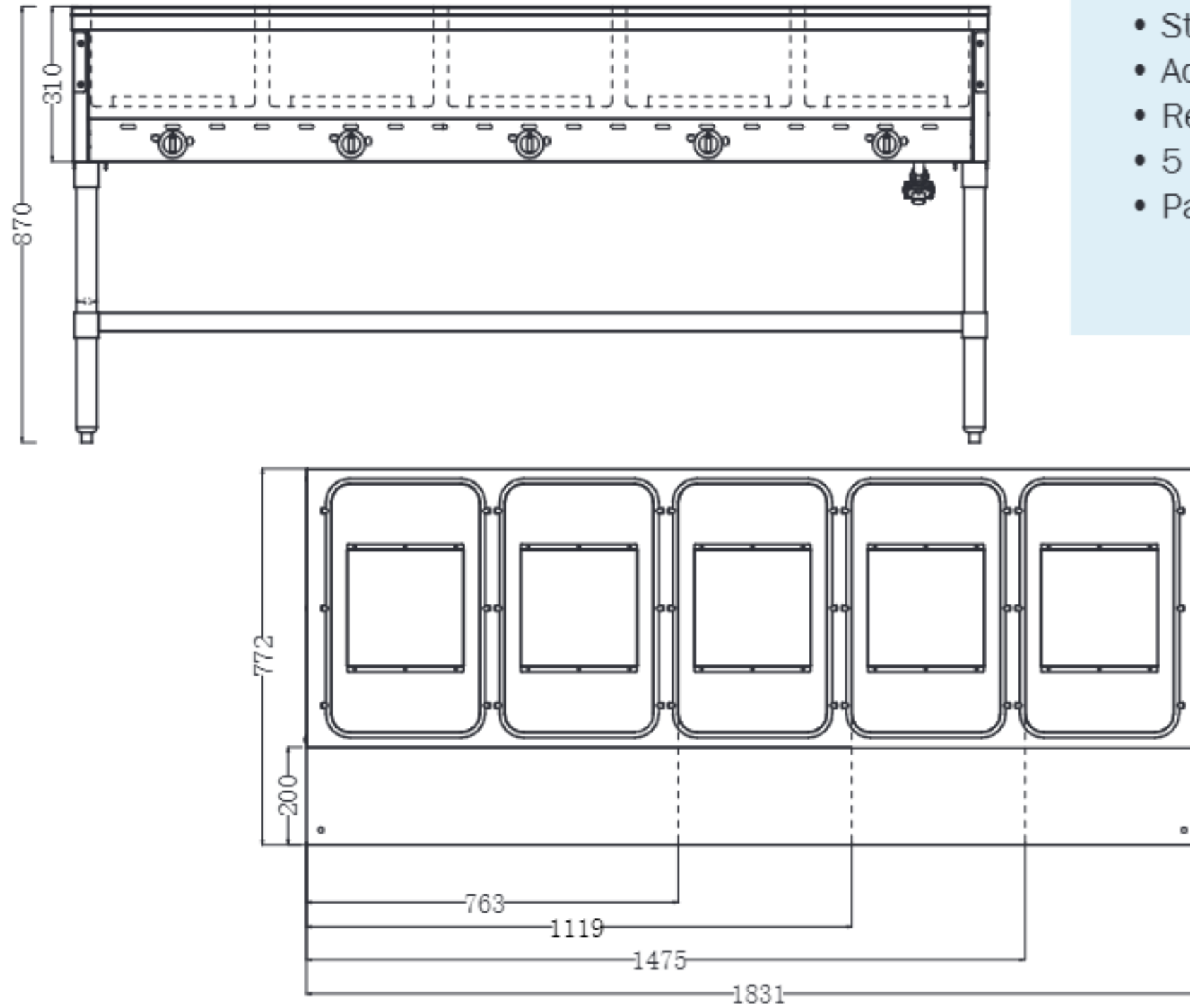


Intertek

Intertek

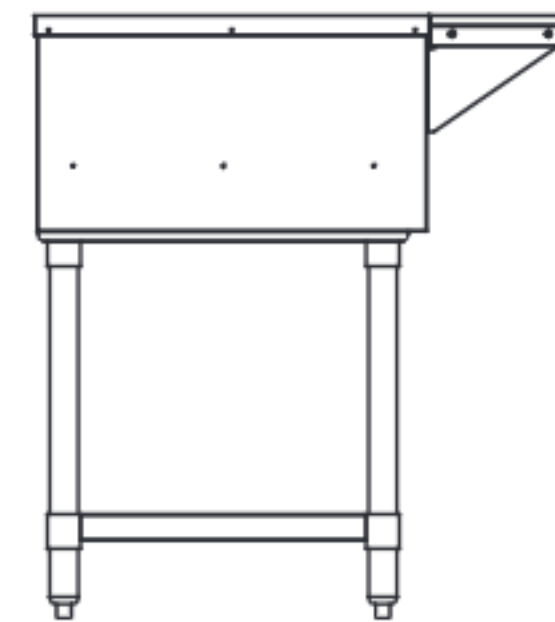
PROPANE STEAM TABLES

TECHNICAL DRAWINGS & DIMENSIONS



FEATURES:

- Stainless steel construction & heating element
- Adjustable stainless steel undershelf
- Removable polyethylene cutting board
- 5 independent infinite controls
- Pans not included



*measurements in diagrams are in mm

TECHNICAL SPECIFICATIONS

	2-Pan Size Capacity	3-Pan Size Capacity	4-Pan Size Capacity	5-Pan Size Capacity
Item	47362	47363	47364	47365
Model	FW-CN-0002-LP	FW-CN-0003-LP	FW-CN-0004-LP	FW-CN-0005-LP
Max. Temperature	95°C - 203°F	95°C - 203°F	95°C - 203°F	95°C - 203°F
BTU	7,000	10,500	14,000	17,500
Gas Type	Propane	Propane	Propane	Propane
Number of Pans*	2	3	4	5
Pan Size	Full Size	Full Size	Full Size	Full Size
Undershelf Size	27.6" x 18.2" x 2"	41.7" x 18.2" x 2"	55.7" x 18.2" x 2"	69.7" x 18.2" x 2"
Cutting Board Size	34" x 7.9" x 0.5"	44.1" x 7.9" x 0.5"	58.1" x 7.9" x 0.5"	72" x 7.9" x 0.5"
Weight	75 lbs 34 kg	99.2 lbs 45 kg	127.9 lbs 58 kg	149.9 lbs 68 kg
Gross Weight	101.4 lbs 46 kg	132.3 lbs 60 kg	165.3 lbs 75 kg	194 lbs 88 kg
Dimensions	30" x 30.4" x 34.4"	44.1" x 30.4" x 34.4"	58.1" x 30.4" x 34.4"	72" x 30.4" x 34.4"
Gross Dimensions	33.9" x 25.2" x 20.5"	47.6" x 25.2" x 20.5"	61.4" x 25.2" x 20.5"	75.2" x 25.2" x 20.5"



WWW.NELLAONLINE.COM
HELP@NELLAONLINE.COM

LOCATIONS

148 NORFINCH DR
NORTH YORK, ON
M3N 1X8
416-740-2424

433 QUEEN ST E.
TORONTO, ON
M5A 1T5
416-847-1112

1164 ELLESMERE ROAD
SCARBOROUGH, ON
M3N 1X8
416-292-0828