



HANDLING AND STORAGE

SERVING THE FOOD INDUSTRY SINCE 1951

STAINLESS STEEL OPEN WALL CABINETS

Omcan's stainless steel open wall cabinets provide easy access to your kitchen tools, janitorial supplies, or other necessities / store stock. Features a slope top shelf for easy clean and reduces dust build up.



WARRANTY



Authorized Dealer

HANDLING AND STORAGE

15" x 36" x 32.5" STAINLESS STEEL OPEN WALL CABINET

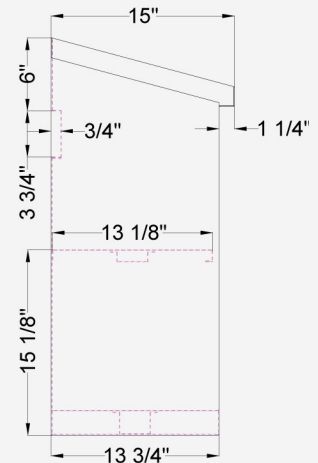
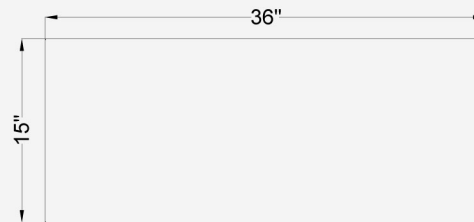
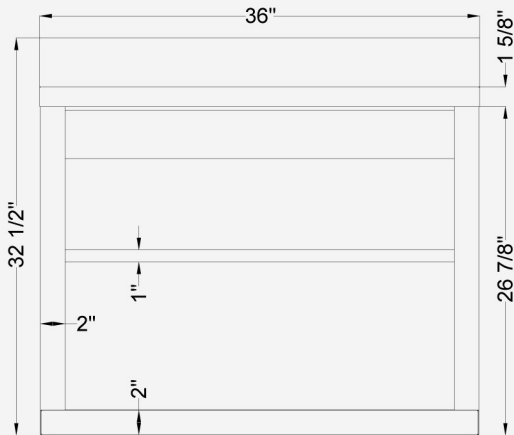
NELLA



TECHNICAL SPECIFICATIONS

ITEM	46408
MATERIAL	18 Gauge. 304 Stainless Steel
LOAD CAPACITY	360 lbs. / 163.3 kg.
DIMENSIONS (DWH)	15" x 36" x 32.5" / 381 x 914.4 x 825.5 mm
GROSS DIMENSIONS	16" x 37" x 33" / 406.4 x 939.8 x 838.2 mm
NET WEIGHT	95 lbs. / 43 kg.
GROSS WEIGHT	99 lbs. / 45 kg.

TECHNICAL DRAWINGS WITH DETAILED DIMENSIONS



NELLA

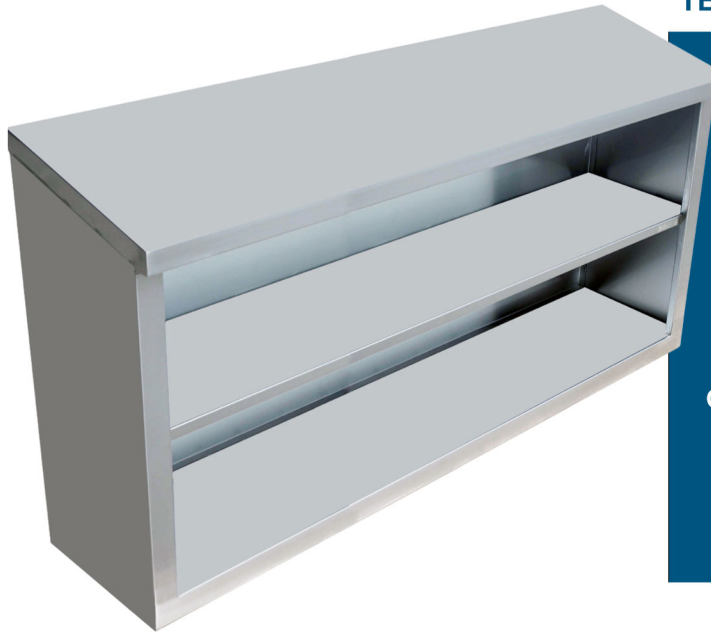
Telephone: 416-740-2424
Email: help@nellaonline.com
Website: www.nellaonline.com

HANDLING AND STORAGE

15" x 48" x 32.5" STAINLESS STEEL OPEN WALL CABINET

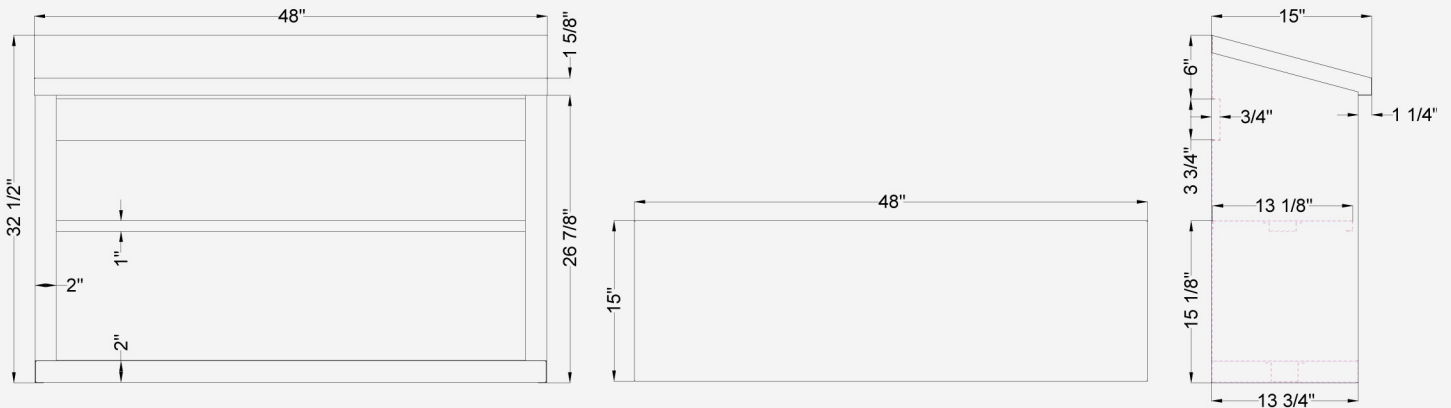


TECHNICAL SPECIFICATIONS



ITEM	46409
MATERIAL	18 Gauge. 304 Stainless Steel
LOAD CAPACITY	380 lbs. / 172.4 kg.
DIMENSIONS (DWH)	15" x 48" x 32.5" / 381 x 1219.2 x 825.5 mm
GROSS DIMENSIONS	16" x 49" x 33" / 406.4 x 1244.6 x 838.2 mm
NET WEIGHT	120 lbs. / 54.43 kg.
GROSS WEIGHT	124 lbs. / 56.24 kg.

TECHNICAL DRAWINGS WITH DETAILED DIMENSIONS



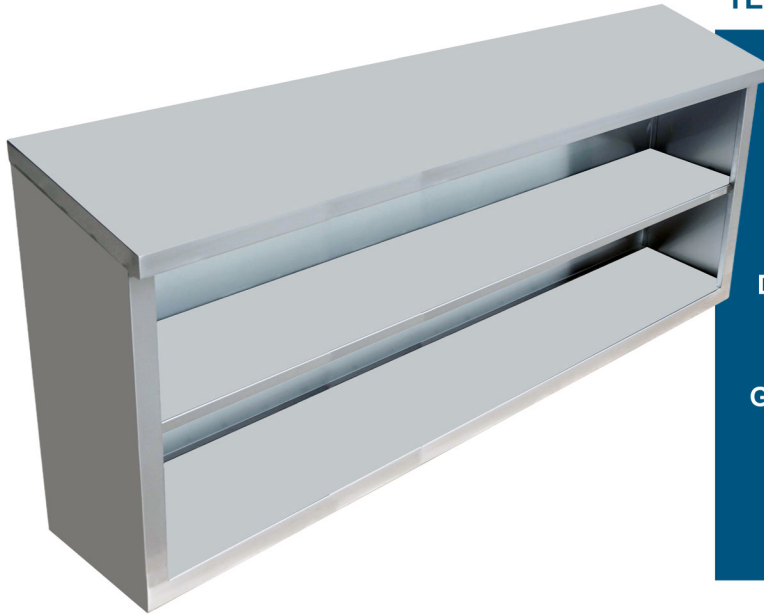
Telephone: 416-740-2424
Email: help@nellaonline.com
Website: www.nellaonline.com

HANDLING AND STORAGE

15" x 60" x 32.5" STAINLESS STEEL OPEN WALL CABINET

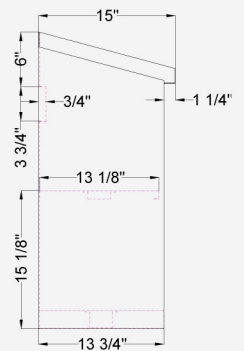
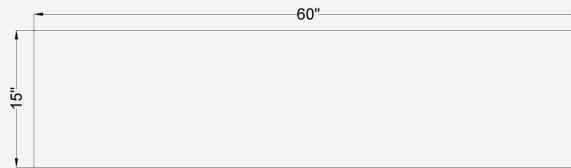
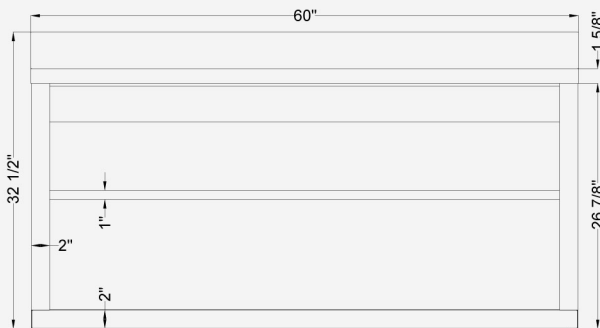


TECHNICAL SPECIFICATIONS



ITEM	46410
MATERIAL	18 Gauge. 304 Stainless Steel
LOAD CAPACITY	400 lbs. / 181.43 kg.
DIMENSIONS (DWH)	15" x 60" x 32.5" / 381 x 1524 x 825.5 mm
GROSS DIMENSIONS	16" x 61" x 33" / 406.4 x 1549.4 x 838.2 mm
NET WEIGHT	145 lbs. / 65.8 kg.
GROSS WEIGHT	149 lbs. / 67.6 kg.

TECHNICAL DRAWINGS WITH DETAILED DIMENSIONS



Telephone: 416-740-2424
Email: help@nellaonline.com
Website: www.nellaonline.com