



KITCHEN EQUIPMENT

SERVING THE FOOD INDUSTRY SINCE 1951

HORIZONTAL BELT-DRIVEN SLICERS

**ITEM: 46162
MODEL: MS-IT-0300-CE**

**ITEM: 46163
MODEL: MS-IT-0330-CE**

**ITEM: 39583
MODEL: MS-IT-0350**

EXCEPTIONAL AND EASY-TO-USE SLICER FOR YOUR KITCHEN

These slicers are made of anodized aluminium alloy which makes it easy to clean and meet the most demanding sanitation requirements. The precise decimal thickness regulator ranges between 0 and 16mm. They are equipped with built-in blade sharpener for effective cutting. The plate mounted on the ball bearings features an exceptional smooth operation.



WARRANTY
PARTS AND LABOR



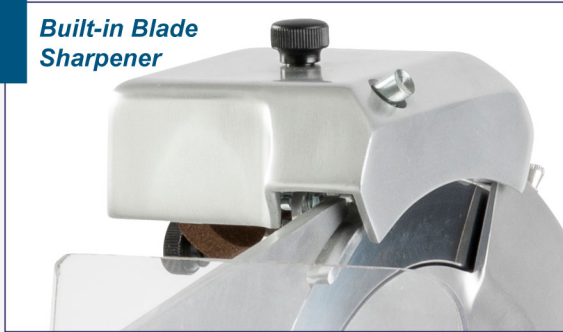
Authorized Dealer

KITCHEN EQUIPMENT

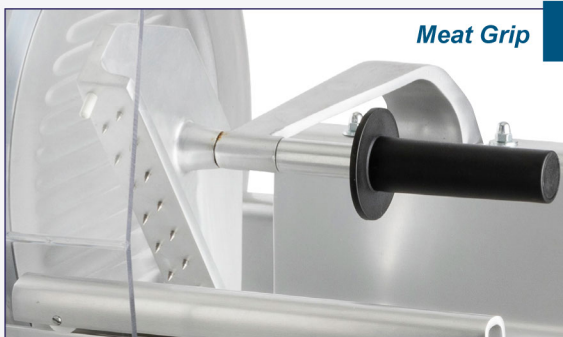
12-INCH BLADE HORIZONTAL BELT-DRIVEN MEAT SLICER

NELLA

Built-in Blade Sharpener



Meat Grip



Slice Thickness Control Knob

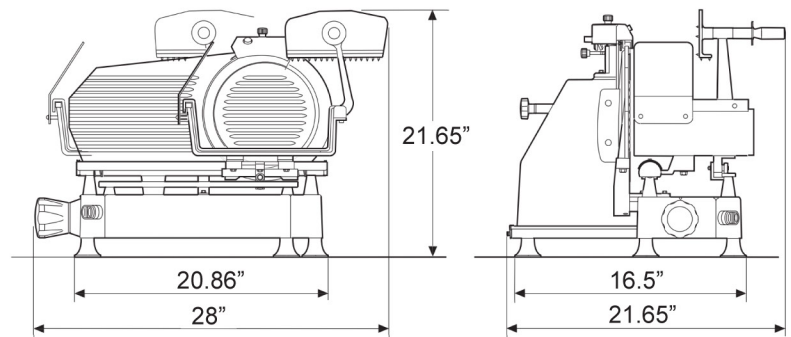


Start / Stop Button



Ideal for heavy sausages, roasts, cheese, and other compact meat.

TECHNICAL DRAWING AND DIMENSIONS



TECHNICAL SPECIFICATIONS

ITEM NUMBER	46162
MODEL	MS-IT-0300-CE
BLADE SIZE	12" / 300 mm
POWER	0.50 HP
SLICING VOLUME*	1 hour
RPM	280
CUTTING SIZE	10.23" x 8.66"
CUT THICKNESS	0-16 mm
ELECTRICAL	110V / 60Hz / 1Ph
WEIGHT	75 lbs.
PACKAGING WEIGHT	88 lbs.
DIMENSIONS (DWH)	21.65" x 28" x 21.65"
PACKAGING DIMENSIONS	22.8" x 28" x 24.8"

*Results may vary due to product consistency and temperature.

NELLA

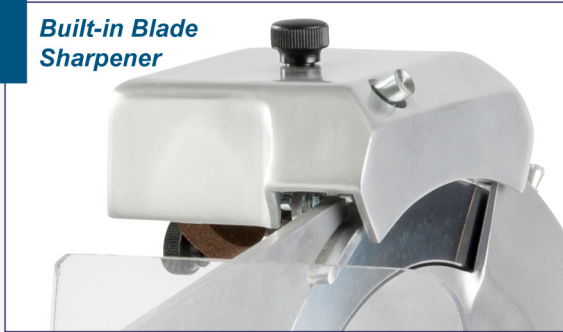
Telephone: 416-740-2424
 Email: help@nellaonline.com
 Website: www.nellaonline.com

KITCHEN EQUIPMENT

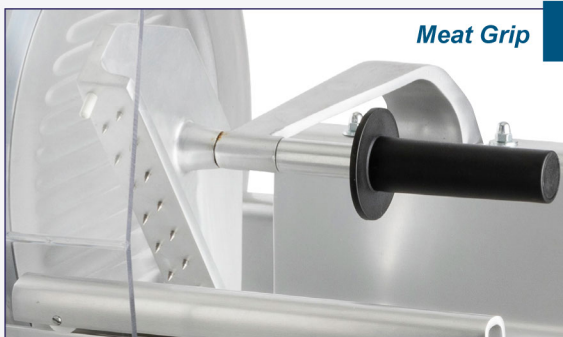
13-INCH BLADE HORIZONTAL BELT-DRIVEN MEAT SLICER

NELLA

Built-in Blade Sharpener



Meat Grip



Slice Thickness Control Knob

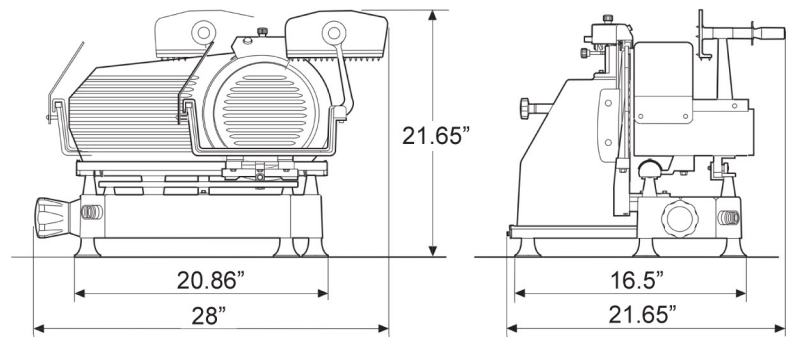


Start / Stop Button



Ideal for heavy sausages, roasts, cheese, and other compact meat.

TECHNICAL DRAWING AND DIMENSIONS



TECHNICAL SPECIFICATIONS

ITEM NUMBER	46163
MODEL	MS-IT-0330-CE
BLADE SIZE	13" / 330 mm
POWER	0.50 HP
SLICING VOLUME*	1 hour
RPM	260
CUTTING SIZE	10.23" x 8.66"
CUT THICKNESS	0-16 mm
ELECTRICAL	110V / 60Hz / 1Ph
WEIGHT	75 lbs.
PACKAGING WEIGHT	88 lbs.
DIMENSIONS (DWH)	21.65" x 28" x 21.65"
PACKAGING DIMENSIONS	22.8" x 28" x 24.8"

*Results may vary due to product consistency and temperature.

NELLA

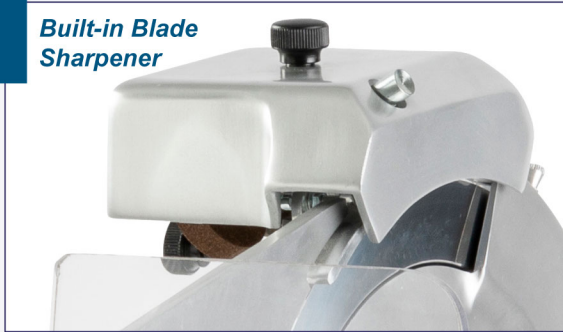
Telephone: 416-740-2424
 Email: help@nellaonline.com
 Website: www.nellaonline.com

KITCHEN EQUIPMENT

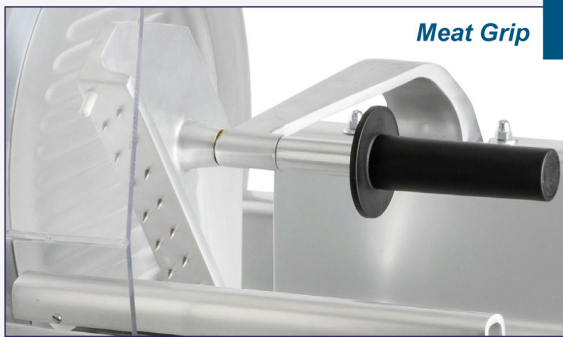
14-INCH BLADE HORIZONTAL BELT-DRIVEN MEAT SLICER

NELLA

Built-in Blade Sharpener



Meat Grip



Slice Thickness Control Knob

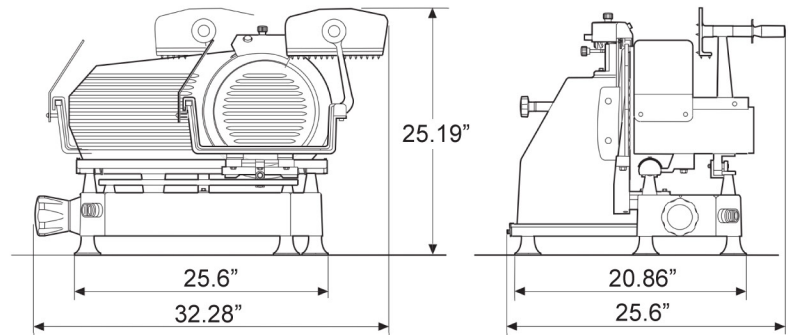


Start / Stop Button



Ideal for heavy sausages, roasts, cheese, and other compact meat.

TECHNICAL DRAWING AND DIMENSIONS



TECHNICAL SPECIFICATIONS

ITEM NUMBER	39583
MODEL	MS-IT-0350
BLADE SIZE	14" / 350 mm
POWER	0.50 HP
SLICING VOLUME*	1 hour
RPM	260
CUTTING SIZE	11.8" x 9.84"
CUT THICKNESS	0-16 mm
ELECTRICAL	110V / 60Hz / 1Ph
WEIGHT	94.8 lbs.
PACKAGING WEIGHT	110.2 lbs.
DIMENSIONS (DWH)	25.6" x 32.28" x 25.19"
PACKAGING DIMENSIONS	25.6" x 32.67" x 27.6"

*Results may vary due to product consistency and temperature.

NELLA

Telephone: 416-740-2424
 Email: help@nellaonline.com
 Website: www.nellaonline.com