



**REFRIGERATION**

*SERVING THE FOOD INDUSTRY SINCE 1951*

## 36-INCH SQUARE GLASS FLOOR REFRIGERATED DISPLAY CASE

Item: 44382

Model: RS-CN-0271-S



### **NELLA'S SQUARE GLASS FLOOR REFRIGERATED DISPLAY CASE**

provides an economical solution for displaying your products. Features an interior lighting under each shelves as well as digital temperature controller for easy usage.



Authorized Dealer



**WARRANTY**  
PARTS AND LABOR



# REFRIGERATION

## 36-INCH SQUARE GLASS FLOOR REFRIGERATED DISPLAY CASE

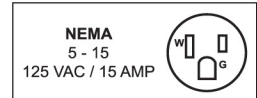


# NELLA



### FEATURES

- Brilliant LED illumination under each shelves
- Digital temperature controller & display
- Stainless steel base
- Adjustable chrome plated shelves
- Four-sided double glass
- Automatic defrost
- Ventilated cooling system

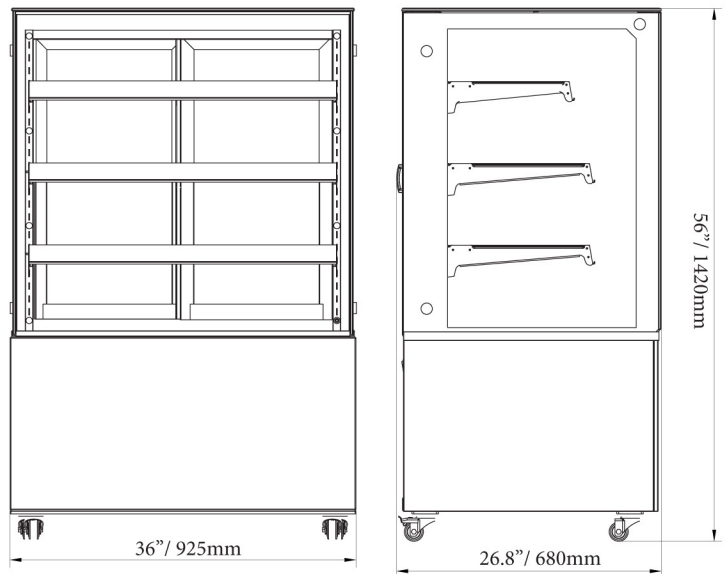


### TECHNICAL SPECIFICATION

ITEM NUMBER	44382
MODEL	RS-CN-0271-S
POWER	535W
COMPRESSOR POWER	3/8 HP / 510 W
CAPACITY	390 L / 13.77 cu. ft.
LAMP POWER	23W
TEMPERATURE RANGE	0-12°C / 32-54°F
REFRIGERANT	R290
BLOWING GAS	Front
TYPE OF CLIMATE	4
RATED CURRENT	6.3A
SHELF SIZE	36.8" x 12" / 935 x 311mm 36.8" x 14" / 935 x 361mm
NET DIMENSIONS	36" x 26.8" x 56" / 925 x 680 x 1420mm
GROSS DIMENSIONS	41" x 31" x 65" / 1045 x 785 x 1655mm
NET WEIGHT	355lbs/ 161kgs
GROSS WEIGHT	394.6lbs/ 179kgs



Digital temperature controller & display



Item is shipped on pallet.

# NELLA

Telephone: 416-740-2424  
 Email: [help@nellaonline.com](mailto:help@nellaonline.com)  
 Website: [www.nellaonline.com](http://www.nellaonline.com)