



WAREWASHING/HANDLING

SERVING THE FOOD INDUSTRY SINCE 1951

POT SINKS - THREE TUB SINK WITH TWO DRAIN BOARDS AND CORNER SINK



Designed with durability in mind, this three tub sink is the perfect appliance for your washing tasks big and small and an excellent addition for all your commercial kitchen needs!



Authorized Dealer



**LIMITED
WARRANTY**

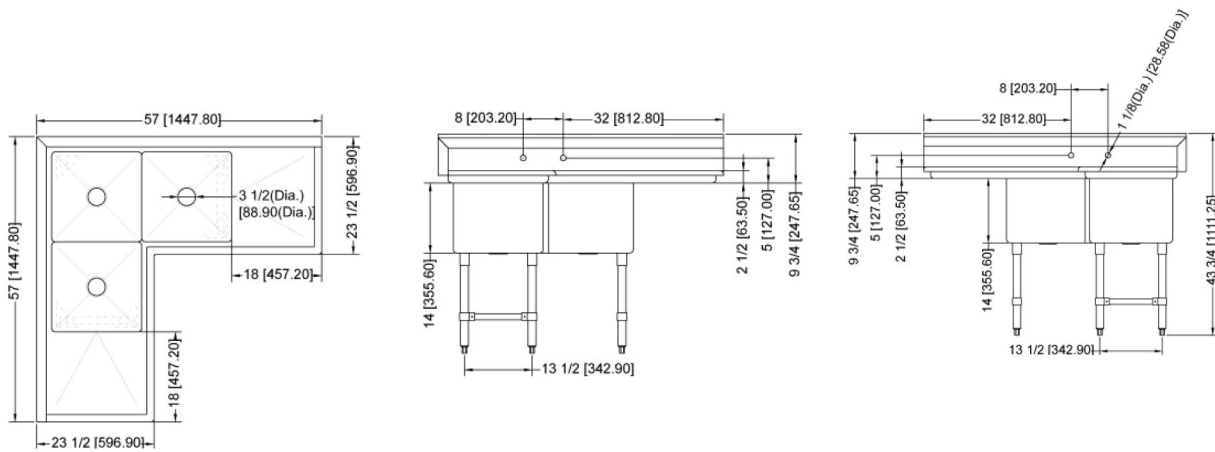
WAREWASHING/HANDLING

POT SINK - 18" x 18" x 14" THREE TUB SINK



Features:

- 18-gauge stainless steel sink with 2 drainboards
- Shipped with 16-gauge, galvanized legs removed
- Comes with socket and plastic bullet feet
- Center Drain size: 3.5" drain basket included
- Conforms to CSA Standards



TECHNICAL SPECIFICATION

| | |
|--------------------|--|
| ITEM NUMBER | 43073 |
| DESCRIPTION | 18" X 18" X 14" THREE TUB SINK WITH TWO DRAIN BOARDS AND CORNER SINK |
| NET WEIGHT | 79 lbs. |
| GROSS WEIGHT | 99 lbs. |
| DIMENSIONS OF SINK | 18"x18"x14" / 457.2 mm x 457.2mm x 355.6 mm |
| OVERALL DIMENSIONS | 57" x 57" x 44" / 1447.8 x 1447.8 x 111.6 mm |
| GROSS DIMENSIONS | 59 "x 24" x 29 " / 1498.6 x 609.6 x 228.6 mm |



Telephone: 416-740-2424
 Email: help@nellaonline.com
 Website: www.nellaonline.com