

SERVING THE FOOD INDUSTRY SINCE 1951

## COUNTERTOP DISPLAY WARMERS

Item: 41872  
Model: DW-CN-0080L

Item: 41873  
Model: DW-CN-0115L



41872



41873

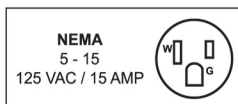
### EXCELLENT DISPLAY WARMER PERFECT FOR SERVING WARM PRODUCTS

Serve your customers fresh, warm products with Omcan's DW-CN-0080L and DW-CN-0115L display warmers. Perfect for convenience stores, cafes, and small delis. They feature stainless steel construction with hinged glass doors. They also have adjustable temperature controllers to precisely control the best temperature for your foods. Non-adjustable chrome plated shelves included.

Tray not included



**WARRANTY**  
PARTS AND LABOR



Authorized Dealer

# FOOD EQUIPMENT

COUNTERTOP DISPLAY WARMER DW-CN-0080L | 41872



# NELLA

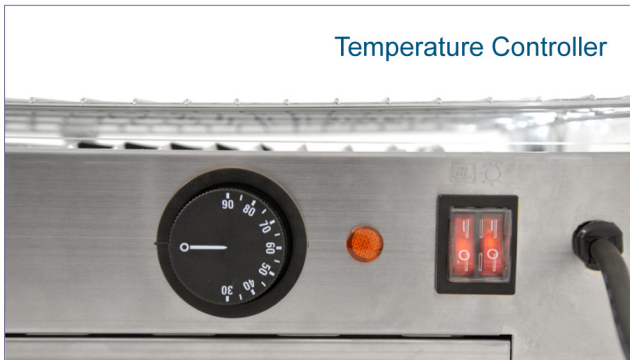


## Features:

- Two fixed chrome plated shelves
- Stainless steel construction with 4-hinged glass doors
- Temperature Range: 30° - 90°C / 86° - 194°F
- Adjustable temperature controller
- Interior LED lighting



Interior Lighting

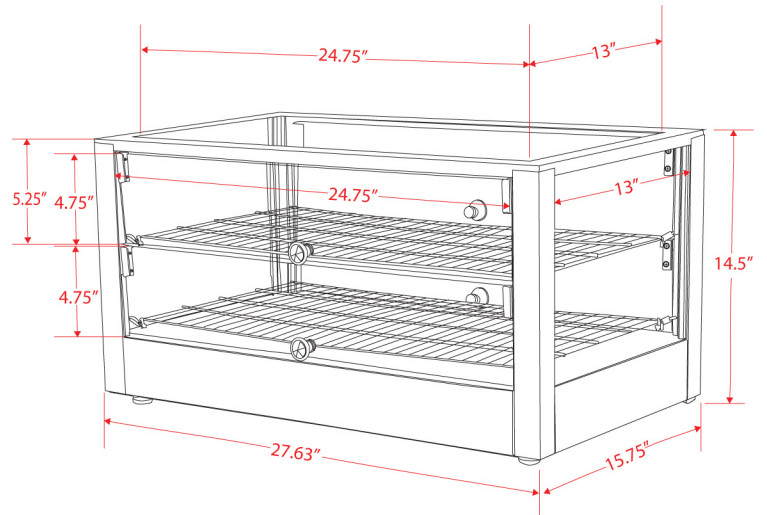


Temperature Controller



Shelves

## TECHNICAL DRAWING AND DIMENSIONS



## TECHNICAL SPECIFICATIONS

|                      |   |
|----------------------|---|
| ITEM NUMBER          | 41872   |
| MODEL                | DW-CN-0080L                                   |
| TEMPERATURE RANGE    | 30° - 90°C / 86° - 194°F                      |
| STORAGE VOLUME (L)   | 80 L  |
| LAMP POWER (W)       | 2.6W  |
| RATED INPUT POWER    | 1000 Watt                                     |
| WIRE SHELF SIZE      | 13.25" x 23.75" / 337 x 603 mm                |
| GRADE OF WATERPROOF  | IPX4  |
| ELECTRICAL           | 110V / 60Hz / 1Ph                             |
| NET WEIGHT           | 16.2 kg. / 35.7 lbs.                          |
| INTERIOR DIMENSIONS  | 27" x 14.63" x 9.5" / 686 x 372 x 241 mm      |
| DIMENSIONS           | 27.63" x 15.75" x 14.5"<br>700 x 400 x 376 mm |
| PACKAGING DIMENSIONS | 30.8" x 19" x 16.6"<br>782 x 482 x 422 mm     |



NEMA  
5 - 15  
125 VAC / 15 AMP



# NELLA

Telephone: 416-740-2424  
Email: [help@nellaonline.com](mailto:help@nellaonline.com)  
Website: [www.nellaonline.com](http://www.nellaonline.com)



# FOOD EQUIPMENT

COUNTERTOP DISPLAY WARMER DW-CN-0115L | 41873



# NELLA

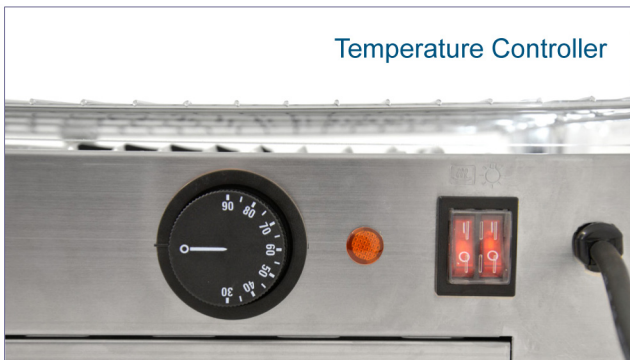


## Features:

- Three fixed chrome plated shelves
- Stainless steel construction with 6-hinged glass doors
- Temperature Range: 30° - 90°C / 86° - 194°F
- Adjustable temperature controller
- Interior LED lighting



Interior Lighting

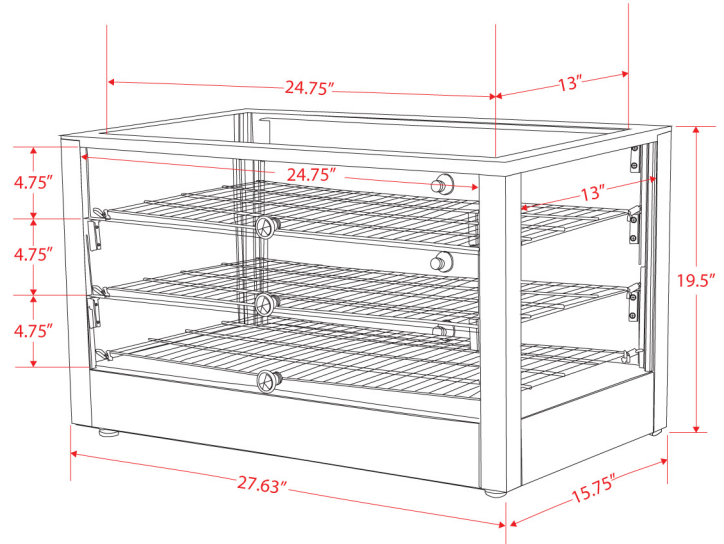


Temperature Controller



Shelves

## TECHNICAL DRAWING AND DIMENSIONS



## TECHNICAL SPECIFICATIONS

|                      |   |
|----------------------|---|
| ITEM NUMBER          | 41873   |
| MODEL                | DW-CN-0115L                                   |
| TEMPERATURE RANGE    | 30° - 90°C / 86° - 194°F                      |
| STORAGE VOLUME (L)   | 115 L   |
| LAMP POWER (W)       | 2.6W  |
| RATED INPUT POWER    | 1300 Watt                                     |
| WIRE SHELF SIZE      | 13.25" x 23.75" / 337 x 603 mm                |
| GRADE OF WATERPROOF  | IPX4  |
| ELECTRICAL           | 110V / 60Hz / 1Ph                             |
| NET WEIGHT           | 19.7 kg. / 43.4 lbs.                          |
| INTERIOR DIMENSIONS  | 27" x 14.63" x 14.5" / 686 x 372 x 362mm      |
| DIMENSIONS           | 27.63" x 15.75" x 19.5"<br>700 x 400 x 500 mm |
| PACKAGING DIMENSIONS | 30.8" x 19" x 21.6"<br>782 x 482 x 548 mm     |



NEMA  
5 - 15  
125 VAC / 15 AMP



# NELLA

Telephone: 416-740-2424  
Email: [help@nellaonline.com](mailto:help@nellaonline.com)  
Website: [www.nellaonline.com](http://www.nellaonline.com)