

NELLA

JUICE BAR SOLUTIONS

SERVING THE FOOD INDUSTRY SINCE 1951

CAST-IRON RED MANUAL JUICE EXTRACTOR

SERVE FRESHLY SQUEEZED DRINKS ANYTIME

- ▶ Perfect for bars, smoothie stands, and restaurants

Ideal for extracting citrus juices, this manual juice extractor is ergonomically designed to make your juicing experience easy and efficient. Easy to use.

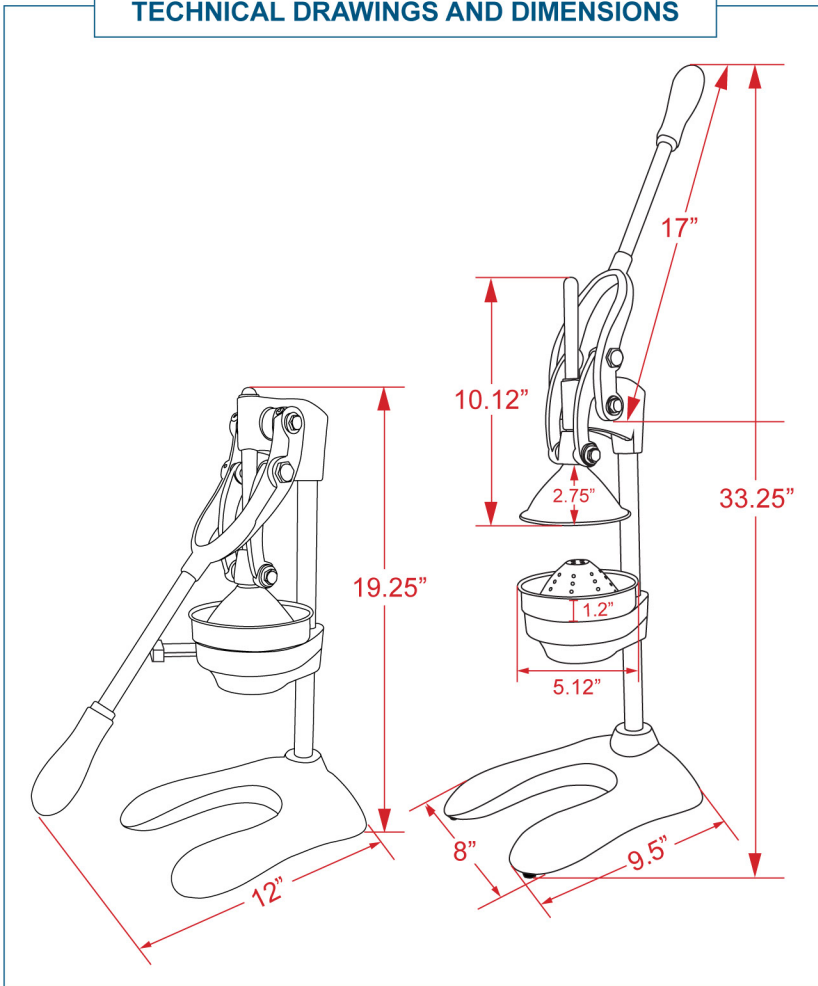


WARRANTY



Authorized Dealer

TECHNICAL DRAWINGS AND DIMENSIONS



CAST-IRON RED MANUAL JUICE EXTRACTOR WITH 5" CUTTER PLATE DIAMETER

ITEM NUMBER	23576
CUTTER PLATE DIAMETER	5" / 127 mm
MATERIAL	Cast Iron-Red
WEIGHT	18.5 lbs. / 8.41 kg.
PACKAGING WEIGHT	19 lbs. / 8.64 kg.
DIMENSIONS (DWH)	9.5" x 8" x 33.25" / 241.3 x 203.2 x 844.55 mm
PACKAGING DIMENSIONS	15" x 8.5" x 20" / 381 x 215.9 x 508 mm