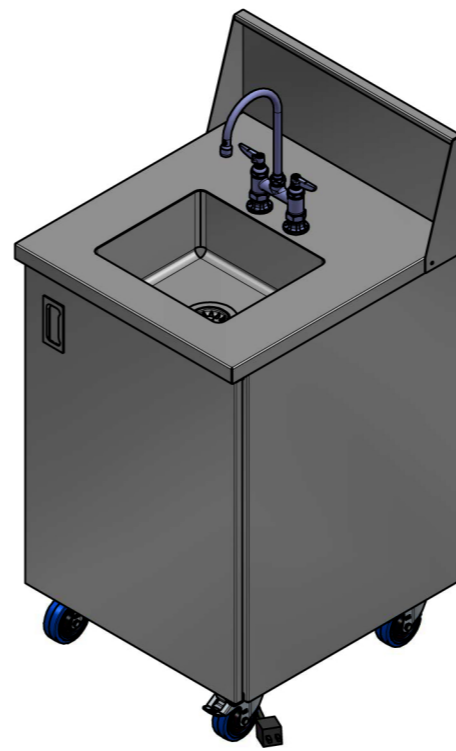
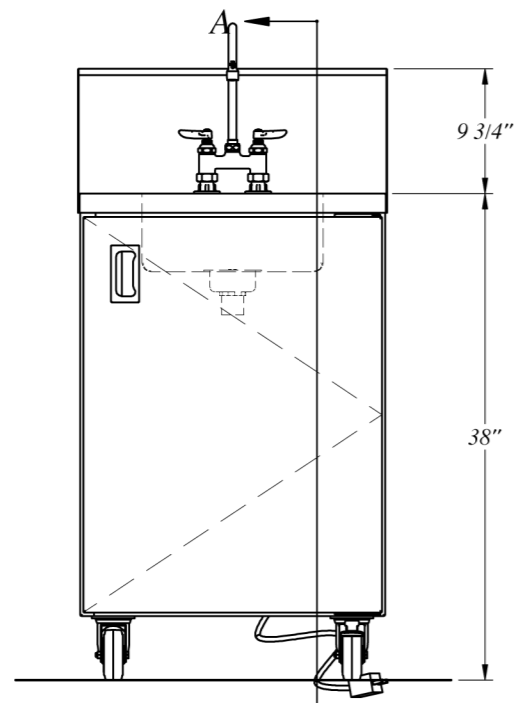


PLAN

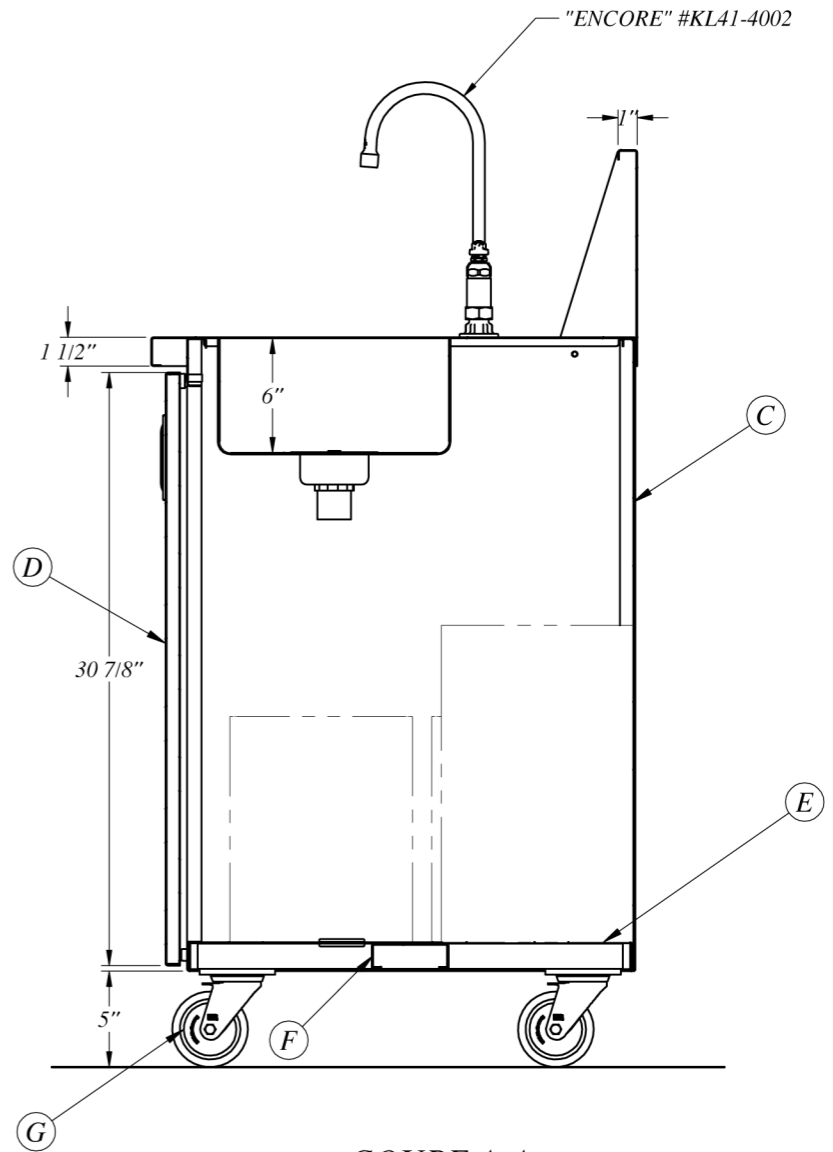
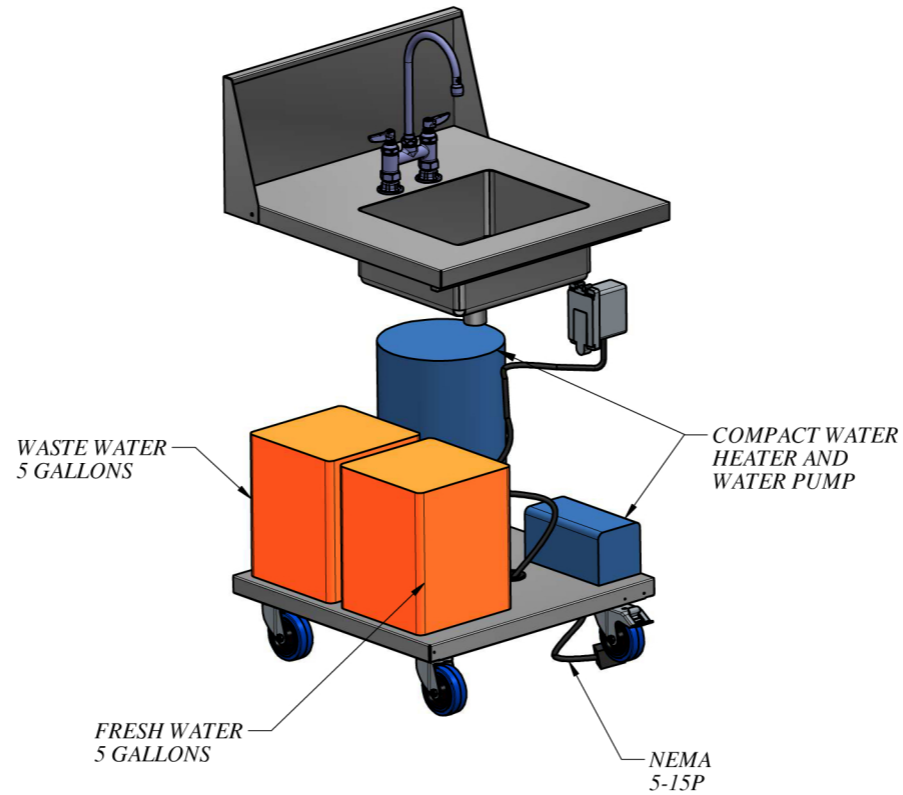


NOTES

- (A) S/S 18GA 304 #4 TOP W/ BACKSPLASH
- (B) S/S 16GA 304 #4 SINK C/W CENTER DRAIN,
ALL COVED CORNER, CSA APPROVED
- (C) S/S 18GA 430 #4 CONSTRUCTION
- (D) S/S 430 #4 DOOR ON PIVOT HINGE AND RECESSED HANDLE
- (E) S/S 18GA 430 #4 BASE
- (F) 14GA GALV. REINFORCEMENT
- (G) Ø 4" SWIVEL CASTER, TWO W/ LOCS



A
ELEVATION



COUPE A-A