

Project: _____
 Item: _____
 Quantity: _____
 Approval: _____
 Date: _____

Model

e2



Standard Features

- Advanced Cooking Technology* with planar plume and microwave technologies for faster, even heating and browning
- “Ventless” Cooking” capabilities through built-in catalytic converter with full protein capabilities
- Ability to use a standard metal baking pan while in convection/microwave mode
- Automatic voltage detection (U.S. only)
- Up to ten (10) times faster than conventional cooking methods
- Power management system keeps power below 18 amps
- Quiet operation - maximum noise level of 59 dBA in idle mode

*Local codes prevail. These are the “authority having jurisdiction” as stated by the National Fire Protection Association, Inc., in NFPA96-1994.

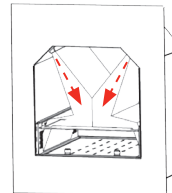
Specifications

Construction

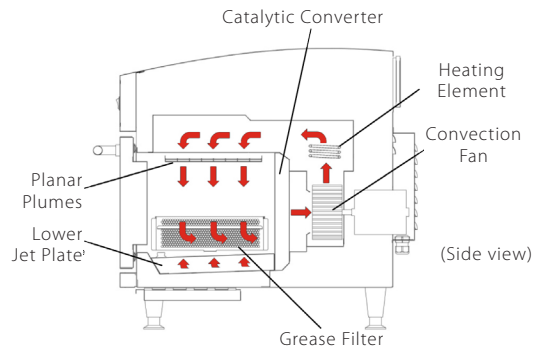
- 430 stainless steel casework and 304 stainless steel interior cavity
- Easily removable and cleanable grease and cooling air filters


EasyToUCH™ Control Panel

- Icon driven, color touch screen control panel with the capability of storing up to 1,024 multi-stage recipe programs
- Each program offers up to six (6) stages with programmable cooking times, microwave power settings and user instructions for each stage
- Self diagnostics capability to monitor components
- Easy menu updates or data transfer via USB memory stick
- Multi-languages available



The e2 utilizes a new and patented heat transfer method called “planar plumes”. Heated air is directed into planes which collide above the food surface and are then drawn around the food.

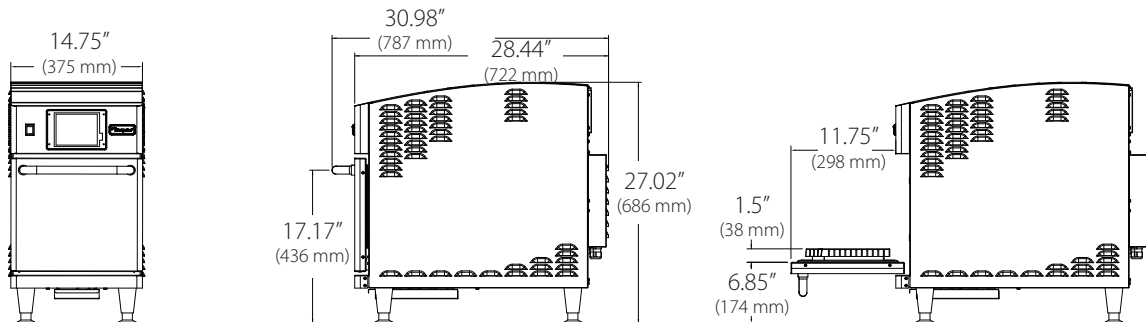


Overall Size		
Height (on 4" legs)	27"	686 mm
Width	14.75"	375 mm
Depth (overall without handle)	31"	787 mm
Depth (door open 90 degrees)	40.25"	1022 mm
Weight	150 lbs.	68 kg
Oven Cavity Dimensions		
Height	9.6"	244 mm
Width	9.6"	244 mm
Depth	12"	305 mm
Wall Clearance		
Top	2"	50.8 mm
Sides	2"	50.8 mm
Electrical Specifications		
Phase	1 ph	
Voltage	208 / 240	
Frequency	60Hz	
Amperage Requirement	20 amp	
Plug	NEMA 6-20P	
Cord Length	6'	
Power Consumption	4015W/4460W	
Power Output (Microwave)	1000W	
Power Output (Heater)	2200W	

Specifications	
Control System	easyToUCH™, iconic symbol touch screen control panel
Cooking Stages	6
Total Cooking Programs	600
Maximum Cooking Time	60 Min
Defrost	No
Microwave Distribution System	Rotating Active Antennae
Magnetron(s)	1
Display	LCD Backlit
Interior Light	No
Automatic Voltage Sensor	Yes
USB & Menu Updates Software	Yes
Temperature Range	212-527°F (100-275°C)
Temperature Increments	1°F
Air Filter	Yes - Air & grease
Fan Speed	10%-100%
Fan Speed Increments	1%
Microwave Power	0-100%
Microwave Power Increments	1%
Rack Option	No
Rack Positions	1
Turntable	No
Stackable	No
Warranty	1 year parts and labor

This model is intended to operate as a stand alone unit only and cannot be a component of an e2 Twin.

Model e2



For further information on **Merrychef** products and service or advice on which machine suits you best, please contact your sales representative or visit our website at www.merrychefusa.com