

MODELS:

MSF8305GR / MSF8306GR / MSF8307GR / MSF8308GR

Mega Top Refrigerated Sandwich Prep Tables

Standard Features:

- Stainless Steel Exterior & Interior
- Rear Mount Compressor with environmentally friendly R290 refrigerant
- Dixell Digital Controller
- Maintains temperatures between 33°F -40°F
- Pre-installed 4" Deep Stainless Steel pans
- 10" cutting board
- Recessed Door Handle(s)
- Self-Closing door(s) with stay open feature
- Magnetic Door Gasket(s) standard for positive door seal
- One (1) Pre-Installed shelf per section
- Pre-Installed Casters



MSF8305GR



MSF8306GR



MSF8307GR



MSF8308GR

For the best results of food preservation we recommend setting your refrigerator between 33 °F - 38 °F

1. Don't forget to leave the unit some room to breathe!
2. Please clean the condenser frequently to give the unit more fresh air.



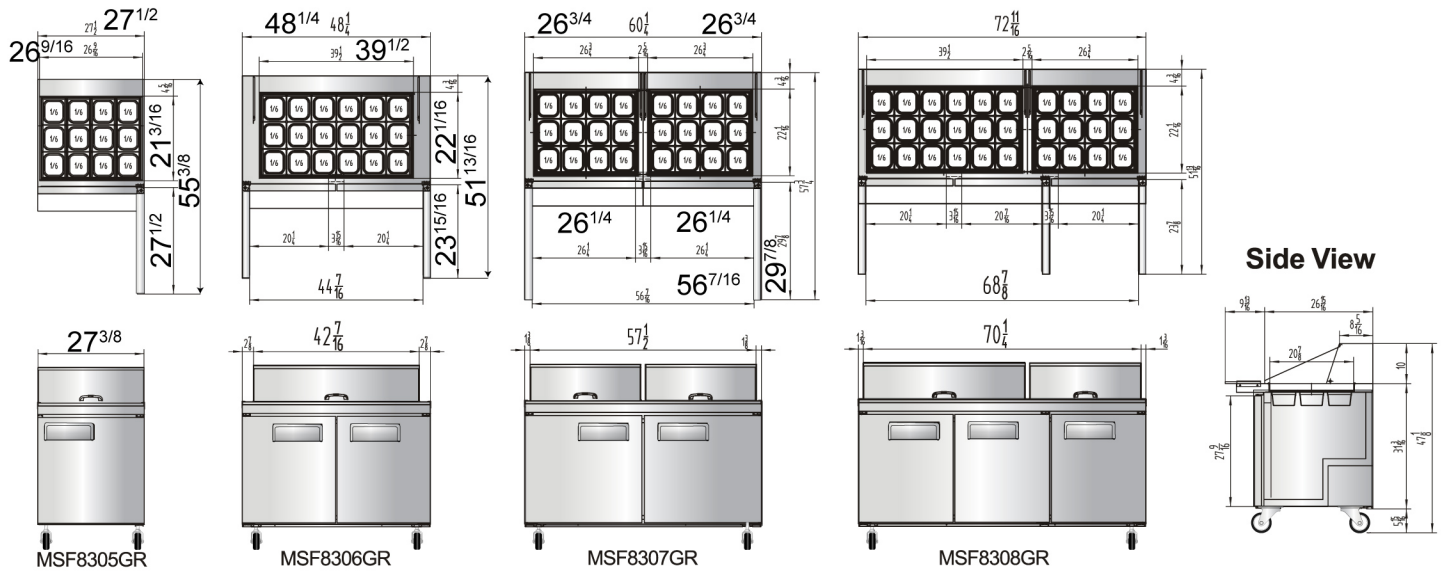
2 YEAR PARTS AND LABOR WARRANTY (US ONLY)
5 YEAR COMPRESSOR PART WARRANTY (US ONLY)



SPECIFICATIONS

Model	Doors	Cu. Ft	Shelves	Exterior Dimension	Packaging Dimension	Castors	Gross Weight	HP	Voltage	Amps	Refrigerant
MSF8305GR	1	7.15	1	27 ^{1/2} x 31 ^{3/16} x 47 ^{1/8}	30.31x33.66x38.19	2.5 in.	211 lbs	1/7	115/60/1	2.3	R290
MSF8306GR	2	13.38	2	48 ^{1/4} x 31 ^{3/16} x 47 ^{1/8}	51.18x33.66x38.19	2.5 in.	293 lbs	1/7	115/60/1	2.3	R290
MSF8307GR	2	17.2	2	60 ^{1/4} x 31 ^{3/16} x 47 ^{1/8}	62.99x33.66x38.19	2.5 in.	339 lbs	1/5	115/60/1	2.8	R290
MSF8308GR	3	21.13	3	72 ^{11/16} x 31 ^{3/16} x 47 ^{1/8}	75.43x33.66x38.19	2.5 in.	401 lbs	1/5	115/60/1	2.8	R290

PLAN VIEW



Castors

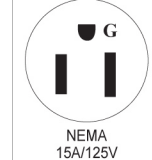
Epoxy Shelves

S/S Pans

Rear Grill

Temperature Control

NEMA 5-15P



2 YEAR PARTS AND LABOR WARRANTY (US ONLY)
5 YEAR COMPRESSOR PART WARRANTY (US ONLY)

