

MODELS:

MGF8405GR / MGF8406GR

Undercounter Freezers

Standard Features:

- Stainless Steel Exterior & Interior with reinforced stainless steel top.
- Environmentally friendly R290 refrigerant
- Dixell digital controller
- Maintains Temperatures between -8°F – 0°F degrees.
- Self-closing door (s) with stay open feature
- Recessed door handle (s)
- Self-closing door (s) with stay open feature
- Magnetic Door Gasket(s) standard for positive door seal
- Pre-installed castors
- One (1) pre-installed shelf per section

MGF8405GR



MGF8406GR



For the best results of food preservation we recommend setting your freezer between 0°F - 8 °F

1. Don't forget to leave the unit some room to breathe!
2. Please clean the condenser frequently to give the unit more fresh air.



2 YEAR PARTS AND LABOR WARRANTY (US ONLY)
5 YEAR COMPRESSOR PART WARRANTY (US ONLY)

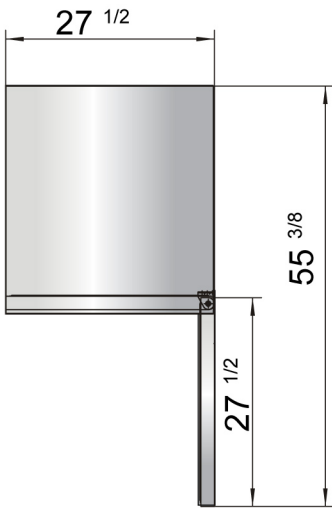


SPECIFICATIONS

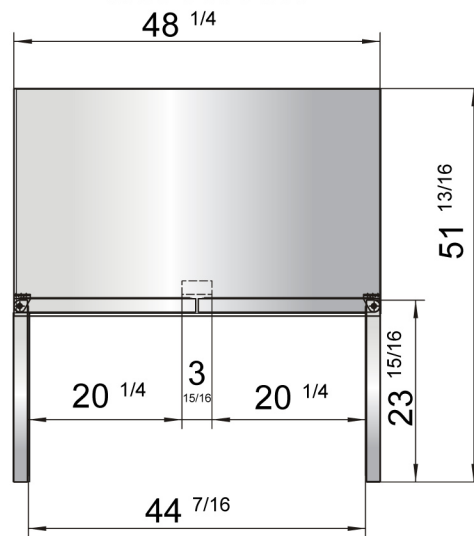
Model	Doors	Cu.Ft	Shelves	Dimensions (WxDxH)	Castors	Gross Weight (LBS)	HP	Voltage	Amps	Refrigerant
MGF8405GR	1	7.15	1	27 ^{1/2} X 30 X 37 ^{1/8}	2.5 inch	179 lbs	1/5	115/60/1	1.8	R290
MGF8406GR	2	13.38	2	48 ^{1/4} X 30 X 37 ^{1/8}	2.5 inch	245 lbs	1/4	115/60/1	2.6	R290

PLAN VIEW

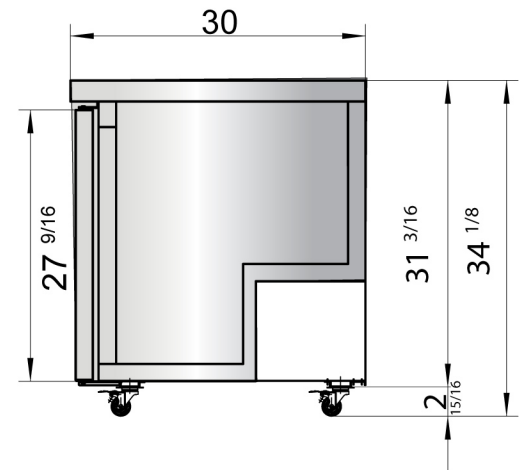
MGF8405GR



MGF8406GR



SIDE VIEW



Castors

Epoxy Shelves

Rear Grate

Temperature Control



NEMA 5-15P



2 YEAR PARTS AND LABOR WARRANTY (US ONLY)
5 YEAR COMPRESSOR PART WARRANTY (US ONLY)

