

MODELS:

MCF8701GR / MCF8703GR

Freezer Glass Door Merchandisers

Standard Features

- Stainless Steel exterior & interior
- LED interior lights
- Heavy Duty Embraco compressor with environmentally friendly R290 refrigerant
- Dixell digital controller
- Maintains temperatures between -8°F – 0°F
- Self-closing door(s) with automatic stay open feature
- Recessed door handle
- Magnetic door gasket
- Double Pane glass door
- Pre-installed casters
- NEMA-5-15P plug standard
- Four (4) Pre-installed Shelves per section

Optional Features:

- Extra Shelves – includes 4 shelf clips per shelf



MCF8701GR



MCF8703GR

For the best results of food preservation we recommend setting your freezer between 0°F - 8 °F

1. Don't forget to leave the unit some room to breathe!
2. Please clean the condenser frequently to give the unit more fresh air.



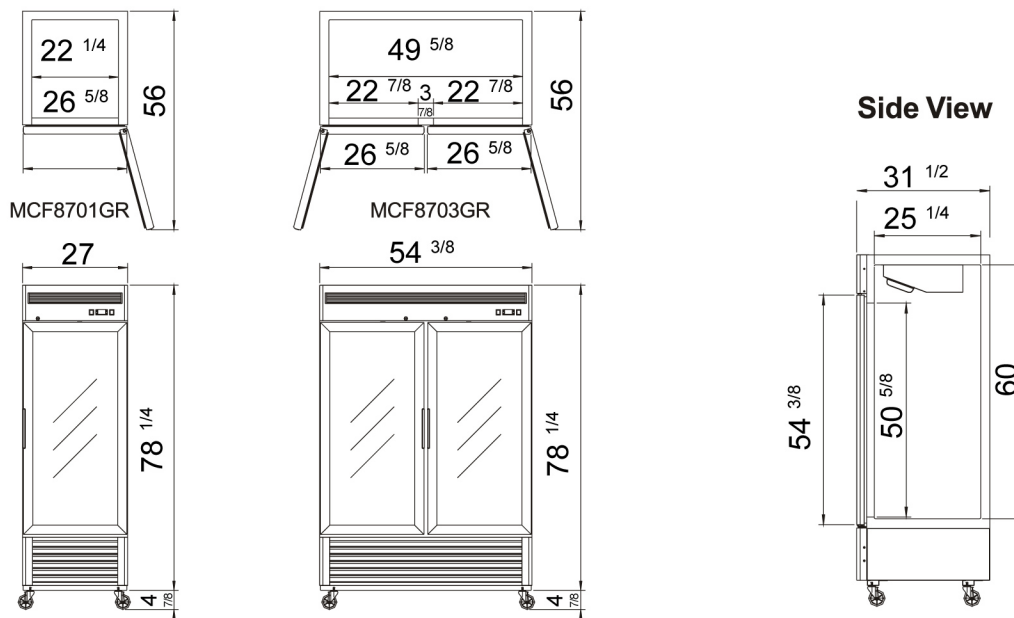
2 YEAR PARTS AND LABOR WARRANTY (US ONLY)
5 YEAR COMPRESSOR PART WARRANTY (US ONLY)



SPECIFICATIONS

Model	Doors	Cu.Ft	Shelves	Exterior Dimensions (WxDxH)	Castors	Weight (LBS)	Voltage	HP	Amps	Refrigerant
MCF8701GR	1	19.1	4	27 x 31 ^{1/2} x 83 ^{1/8}	4inch	342 lbs	1/2	115/60/1	6.3	R290
MCF8703GR	2	44.77	8	54 ^{3/8} x 31 ^{1/2} x 83 ^{1/8}	4inch	553 lbs	3/4	115/60/1	8.6	R290

PLAN VIEW



Castors

Temperature Control

Door Lock

LED Lights

Epoxy Shelves



NEMA 5-15P



NEMA
15A/125V



2 YEAR PARTS AND LABOR WARRANTY (US ONLY)
5 YEAR COMPRESSOR PART WARRANTY (US ONLY)

