

MODELS:

MBF8501GR / MBF8503GR / MBF8504

Bottom Mount Reach-In Freezers

Standard Features

- Bottom mount compressor units with environmentally friendly R290 refrigerant
- Stainless Steel Exterior & Interior
- Dixell digital controller
- Maintains temperatures between -8°F – 0°F
- LED interior light (s)
- Recessed door handle(s)
- Door lock(s) standard
- Magnetic door gaskets(s) standard for positive door seal
- Pre-installed castors
- Three (3) Pre-installed shelves per section
- Down Duct Refrigeration to Ensure even distribution of air.

Optional Features:

- Extra Shelves – includes 4 shelf clips per shelf
- 3" Castors

For the best results of food preservation we recommend setting your freezer between 0°F - 8 °F

1. Don't forget to leave the unit some room to breathe!
2. Please clean the condenser frequently to give the unit more fresh air.



MBF8503GR



MBF8501GR



MBF8504



2 YEAR PARTS AND LABOR WARRANTY (US ONLY)
5 YEAR COMPRESSOR PART WARRANTY (US ONLY)

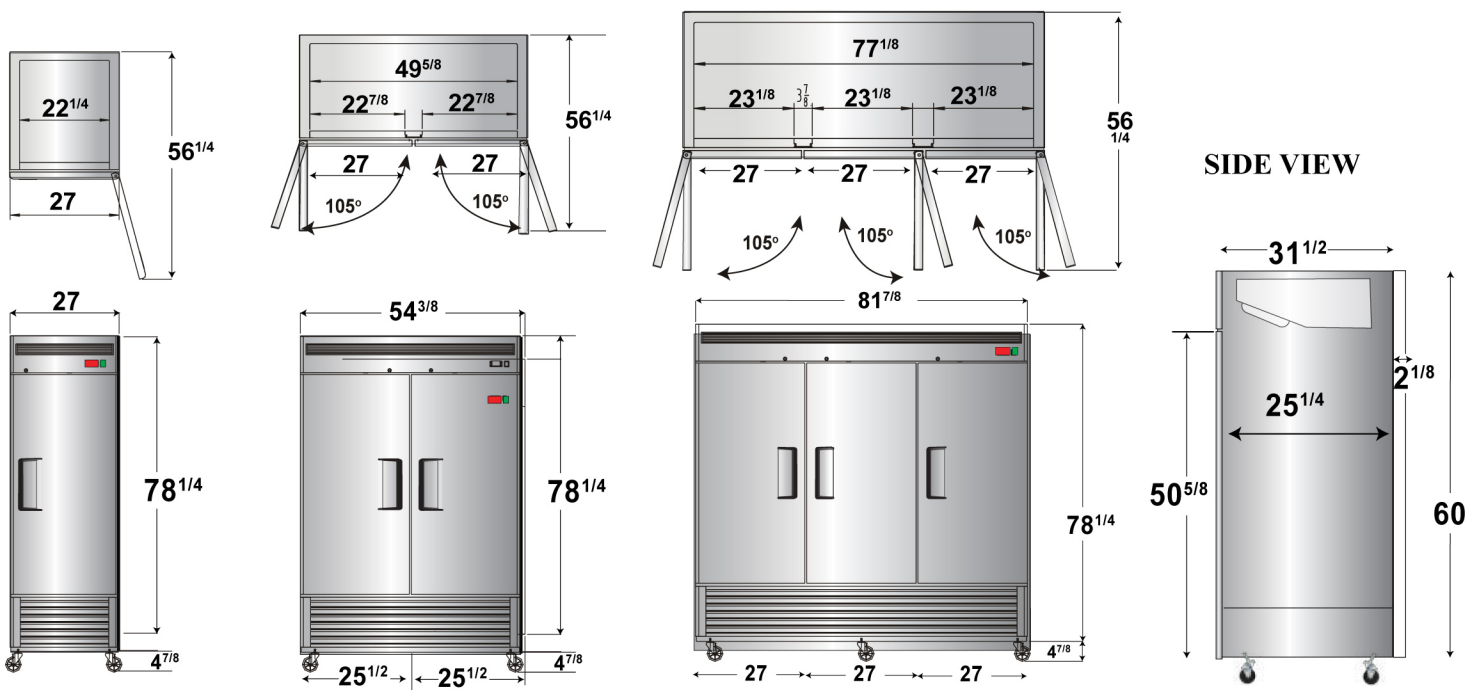


SPECIFICATIONS

Model	Doors	Cu. Ft	Shelves	Exterior Dimensions (WxDxH)	Castors	Weight (LBS)	HP	Voltage	Amps	Refrigerant
MBF8501GR	1	19.1	3	27 x 31 ^{1/2} x 83 ^{1/8}	4 inch	298 lbs	1/2	115/60/1	6.3	R290
MBF8503GR	2	44.77	6	54 ^{3/8} x 31 ^{1/2} x 83 ^{1/8}	4 inch	465 lbs	3/4	115/60/1	8.6	R290
MBF8504	3	71	9	81 ^{7/8} X 31 ^{1/2} X 83 ^{1/8}	4 inch	638 lbs	1	115/208-230/60/1	5.5	R-404a

PLAN VIEW

MBF8501GR / MBF8503GR / MBF8504



Castors

Epoxy Shelves

Door Lock

Down Duct

Temperature Control

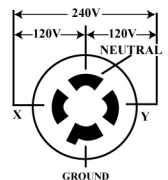


MBF8501GR
MBF8503GR



NEMA 15A/125V

MBF8504



115/208-230/60/1
NEMA-L14-20R
Unit completely
pre-wired at factory
and ready for final
connection to a
115/208-230/60Hz
single phase - 20
amp dedicated
outlet. Cord and
plug set included.
**MBF8003 Only*



2 YEAR PARTS AND LABOR WARRANTY (US ONLY)
3 YEAR ADDITIONAL COMPRESSOR PART WARRANTY (US ONLY)

