

MODELS:

MBF8004GR / MBF8005GR / MBF8006GR

Top Mount Reach-In Refrigerators

Standard Features:

- Top Mount Compressor with environmentally Friendly R290 refrigerant
- Stainless Steel Exterior & Interior
- Dixell Digital Controller
- Maintains temperatures between -33°F – 40°F
- LED interior light (s)
- Recessed Door Handle(s)
- Door locks(s) standard
- Magnetic door gasket(s) standard for positive door seal
- Pre-Installed casters
- Three (3) Pre-Installed shelves per section
- Down Duct Refrigeration to Ensure even distribution of air



MBF8004GR



MBF8005GR



MBF8006GR

Optional Features:

- Extra Shelves – includes 4 shelf clips per shelf
- 4" Casters

For the best results of food preservation we recommend setting your refrigerator between 33 °F - 38 °F

1. Don't forget to leave the unit some room to breathe!
2. Please clean the condenser frequently to give the unit more fresh air.



2 YEAR PARTS AND LABOR WARRANTY (US ONLY)
5 YEAR COMPRESSOR PART WARRANTY (US ONLY)

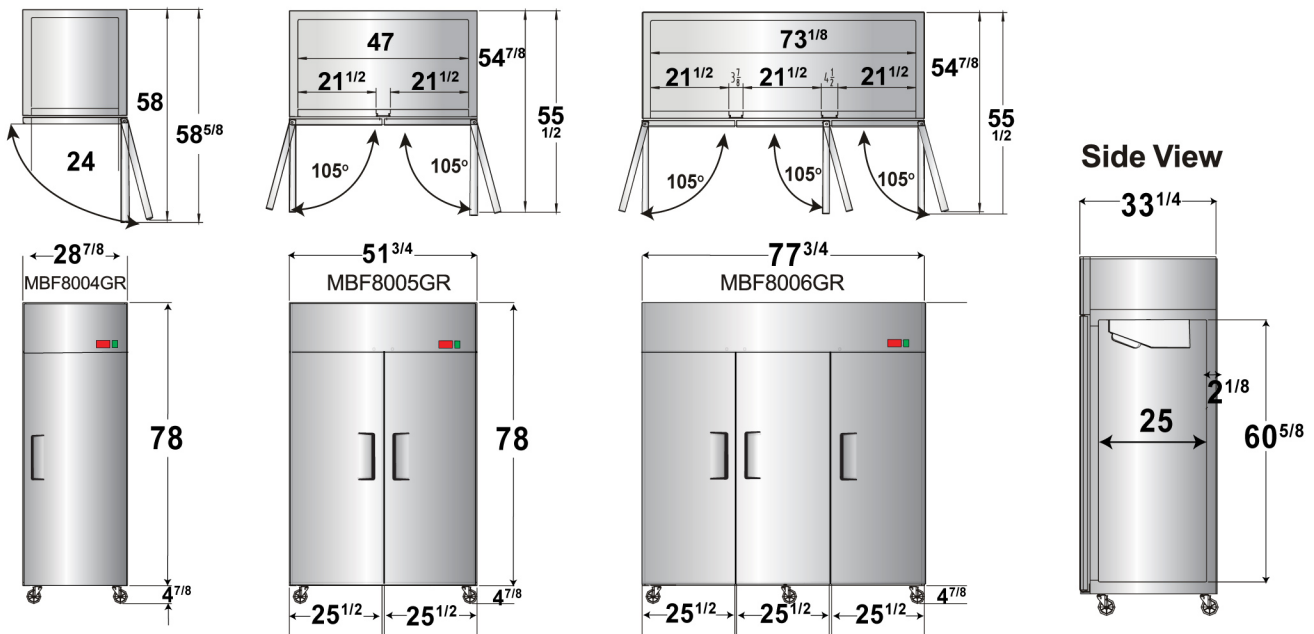


SPECIFICATIONS

Model	Doors	Cu.Ft	Shelves	Exterior Dimensions (WxDxH)	Castors	Weight (LBS)	HP	Voltage	Amps	Refrigerant
MBF8004GR	1	22.6	3	28 ⁷ / ₈ × 33 ¹ / ₄ × 82 ⁷ / ₈	4 inch	265 lbs	1/6	115/60/1	4	R290
MBF8005GR	2	44.5	6	51 ³ / ₄ × 33 ¹ / ₄ × 82 ⁷ / ₈	4 inch	399 lbs	1/3	115/60/1	6.5	R290
MBF8006GR	3	69.2	9	77 ³ / ₄ × 33 ¹ / ₄ × 82 ⁷ / ₈	4 inch	557 lbs	1/3	115/60/1	7.6	R290

PLAN VIEW

MBF8004GR / MBF8005GR / MBF8006GR



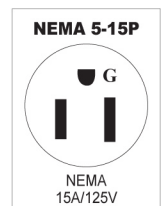
Castors

Epoxy Shelves

Door Lock

Down Duct

Temperature Control



2 YEAR PARTS AND LABOR WARRANTY (US ONLY)
5 YEAR COMPRESSOR PART WARRANTY (US ONLY)

