

PLUG-IN ISLAND DUAL-TEMP SHOWCASE

MODEL KII

OPERATING MANUAL



3560 NW 56th St
Fort Lauderdale, FL, United States 33309
Telephone: 786.600.4687 / Toll Free: 844.218.8477
Fax: 786.661.4100



5659 Royalmount Ave.
Montreal, QC, Canada H4P 2P9
Telephone: 514.737.9701 / Toll Free: 888.275.4538
Fax: 514.342.3854 / Toll Free: 877.453.8832

sales@mvpgroupcorp.com / mvpgroupcorp.com

INTRODUCTION

This manual is intended for use by owners, users, installation and service partners of MVP Group branded equipment (KOOL-IT).

The information is provided for the purpose of ensuring the safe and proper use of the equipment. As with all work, it is incumbent on the employer to ensure that suitable and sufficient risk assessments are undertaken prior to any work, and that persons are suitably competent to interpret the information provided and undertake such work.

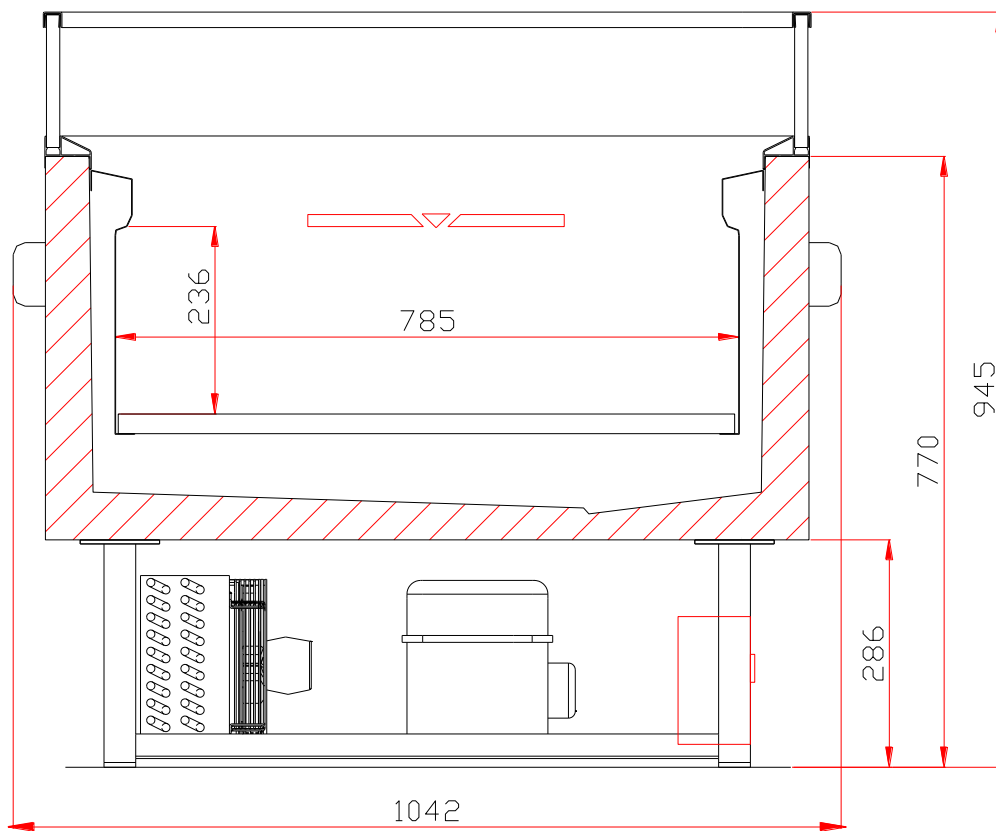
All information and diagrams contained within this manual are correct at the time of issue (stated on the cover page). MVP Group reserves the right to change specifications or information at any time without notice.

PRODUCT ENGINEERING DATA (PED)

Model				
Usage		Frozen display for meat products, seafood, ice cream, etc		
Outlook	Dimension mm	1580X1042X945	2080X1042X945	2580X1042X945
	Capacity dm ³	300	410	530
	Display Aream ²	1.25	1.72	2.19
	Foaming material	PU, Density 40-45Kg/m ³		
Electronic	Power supply	110V 60Hz 30 AMP		
	Rated power	1100W	1500W	1900W
	Controlling	Electronic		
	Defrost Period	6 hours	6 hours	6 hours
	Defrost time	30 minutes	30 minutes	30 minutes
	Defrost power	1000W	1400W	1800W
	Evaporator Fan	12P230HB 18W*1	12P230HB 18W*2	12P230HB 18W*2
Compressor	Compressor Model	Aspera NEK2150GK	Danfoss SC18CM	Aspera T2178GK
	Input power	700W	720W	892W
	Condensing motor Power	36W*1	36W*2	36W*2
	Condensing Fan	φ230 28°	φ230 28°	φ230 28°

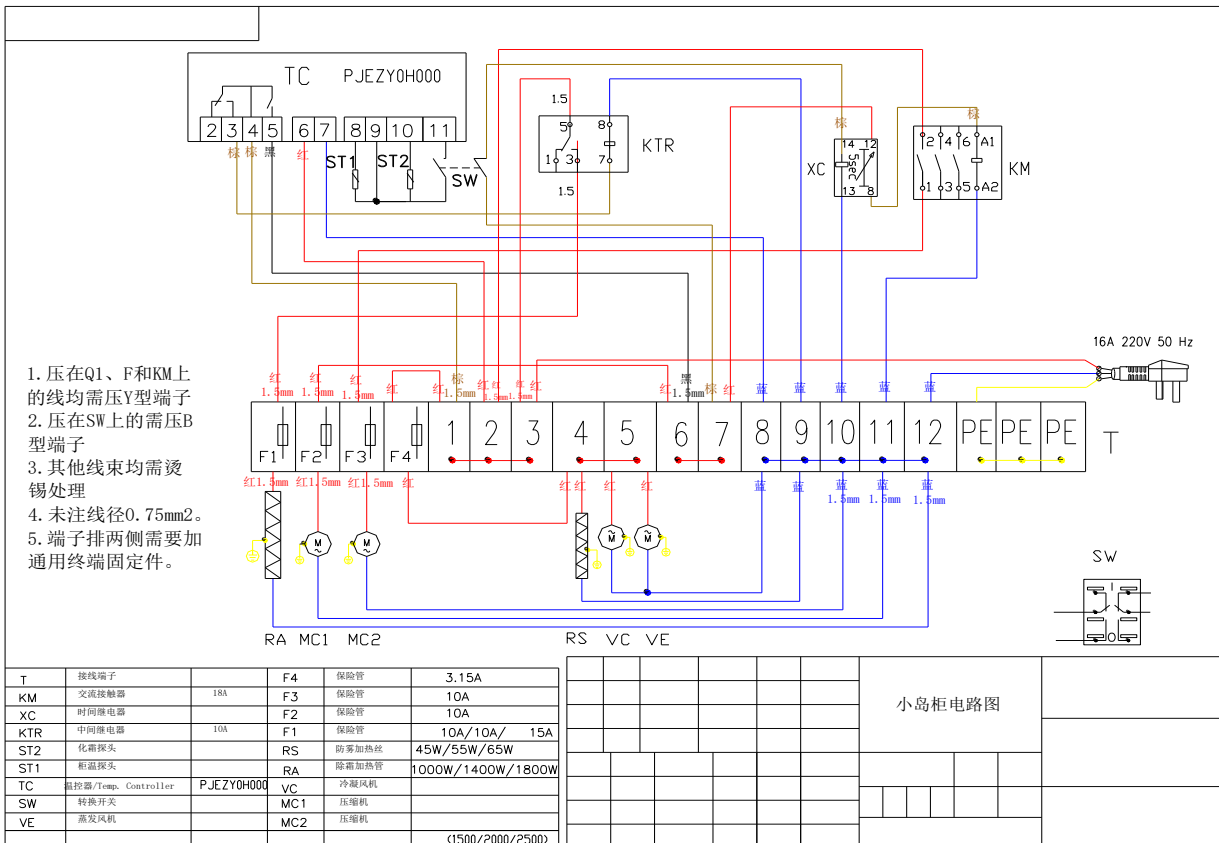
	Refrigerant	R404a	R22	R404a
	Refrigerant Filling	900g	1000g	1400g
Performance	Running Condition	Ambient temp. 75F, HumidityRH60%, Velocity0.2m/s		
	Temp. inside F.	0°F ~ -10°F		
	Defrost Stop Temp.	50°F		
	Temp. Setting	-6°F		
Drainage Pipe		φ22		

CASE PROFILE



ELECTRICAL SCHEMATIC DIAGRAM

KOOL-IT MODEL KII Plug-in island cabinet



HANDLING AND TRANSPORT

Please pay attention to balance and make sure of the forklift to hold the pallet. Do not affect the structure of the showcase and cause damage on the refrigeration cabinet.

The showcase should be kept horizontal, avoid flipping over and leaning when removing. Make sure not to jolt heavily, because it will damage the refrigeration system and electrical circuit, cause major malfunction. When pushing or remove the cabinet, do not push the glass and side panel with great force, to avoid damage.

Please inform the company maintenance department or local special maintenance station when transporting or handing again, otherwise it will be caused by leakage, electric shock, etc.

LOCATING

Level on flat ground and drainage unblocked.

The showcase should be located in such a manner that air will freely circulate around the evaporative tray and rear of the case to avoid the formation of condensation. A gap of 100mm (4 in.) must be maintained to the rear of the display case.

After placement, adjust foot bolt at the bottom to make sure it is well balanced and level ground.

ENVIRONMENT

The showcase has a specific design environment, please use it in the conditions in the following form, otherwise will affect the refrigeration effect.

SUBJECT	AMBIENT CONDITION
AMBIENT TEMPERATURE	<75F.
RELATIVE HUMIDITY	<60%
AIR SPEED	<0.2m/s

Using conditions:

- Must be used in air-conditioned environment;
- Not be placed in direct sunlight;
- Not be placed on any heat source;
- Not be placed in close proximity to any ventilation ducts;

SAFETY

- Please keep the ground wire connection, do not connect the ground wire on the pipe, to ensure that the ground real reliable grounding, prevent to get an electric shock;
- Please use the special power socket, to avoid any breakdowns, the

power cord cannot be used for an extension;

- The power introduced adopts the system of L, N, E, Due to large refrigeration system and electrical power lines, please use a separate power supply mode to ensure reliable grounding and electric leakage protection.

- Please turn off the power supply immediately if any abnormal noise, odors, smoke, during usage.

- Do not wet outer surface directly when in operation, otherwise it may lead to failure, leakage, or fire.

USAGE

1、 The placement of the food

- Please place food well, otherwise it will affect the cycle of air curtain;
- Please keep a certain gap when placing food, it will improve the cold air circulation.

2、 Daily maintenance

- Please unplug the power when cleaning, or it may cause an electric shock or injury;
- Please do not wash with water directly, so as not to cause short circuit or electric shock.

1) Cleaning inside of cabinet

- Freezers internal cleaning a minimum of once a month;
- Use a soft cloth to wipe the neutral non-corrosive detergent parts inside ark, then dry with a dry cloth;

-
- Remove cabinet inside floor, clean the internal dirt, be careful don't drain plug.

2) Cleaning outside of display case

- Please wipe with wet cloth once a day;
- Please clean the surface dry and wet cloth with neutral detergent, then wipe with dry cloth once a week;
- To keep ventilated smooth, brush the condenser of compressor monthly, be careful not to cause condenser fin shape, pay more attention to prevent condenser fin cut hand when cleaning.



3560 NW 56th St
Fort Lauderdale, FL, United States 33309
Telephone: 786.600.4687 / Toll Free: 844.218.8477
Fax: 786.661.4100



5659 Royalmount Ave.
Montreal, QC, Canada H4P 2P9
Telephone: 514.737.9701 / Toll Free: 888.275.4538
Fax: 514.342.3854 / Toll Free: 877.453.8832

sales@mvpgroupcorp.com / mvpgroupcorp.com