

LEG TYPE, GAS-FIRED KETTLES

MODEL: KGL-25

STATIONARY, 2/3 STEAM JACKETED
 "SPLASH PROOF SERIES"
 25 GALLONS (100 LITERS)

Cleveland Standard Features

- Self-contained gas stationary kettle is easily installed, only needs a gas connection and a 115 volt outlet.
- Precise, consistent temperature control, less than 1°C temperature variance (ideal for simmering). Operating temperature range from 145°F-260°F (63°C-127°C).
- "Splash-Proof" Solid-State Control Panel for temperature, Low Water Safety, and Power "On/Off" Switch. Accurate L.E.D. Indicators for Heat Cycle and Low Water Warning.
- Kettle and all exterior surfaces are a 304 Stainless Steel with a #4 finish.
- Energy efficient (65%), high performance gas-fired heating system for fast heat-up and recovery time:
- Twenty-five gallon model with 90,000 BTU firing rate and 58,500 BTU directly applied to the product.
- Supplied with Gas Pressure Regulator.
- Standard for natural gas operation.
- Heavy-duty Rolled Rim design provides strong reinforcement, prevents damages from abuse.
- "Splash-Proof" rear-mounted pressure/vacuum gauge.
- Steam jacket permanently filled with treated distilled water; venting and/or refilling is not required.
- 50 psi Steam Jacket Rating. Safety Valve mounted toward rear of kettle to avoid tampering.
- Automatic Electronic Spark Ignition System.
- Supplied with cord and plug for 115 volt controls.
- Support Legs with level adjustable feet, flanged for floor bolting.
- Spring Assist Cover and 2" tangent draw-off are standard.
- Typical approvals include AGA, CSA, CE, NSF and ASME.

Options & Accessories

- 316 Stainless Steel Liner (316)
- Propane Gas Option (LP)
- Kettle Markings (KM)
- Lift Off Cover (CL)
- Basket Strainer (BS and TBS)
- Measuring Strip (MS)

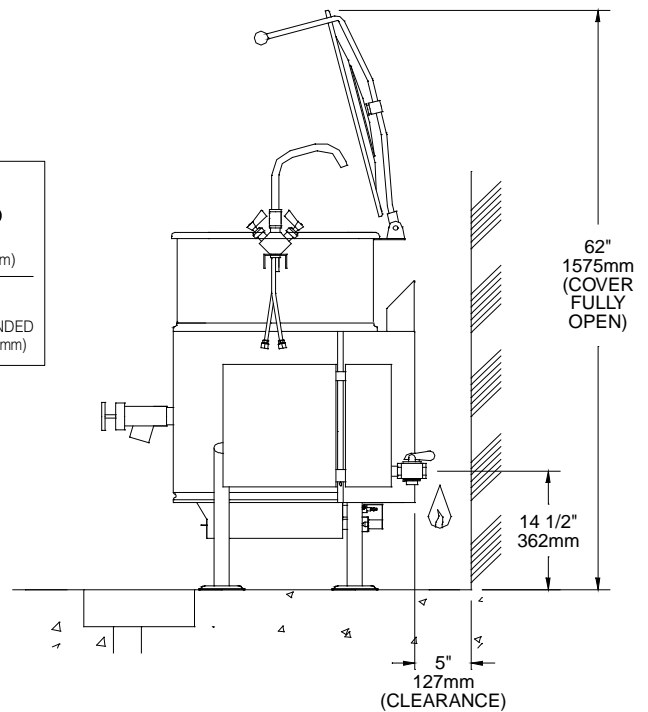
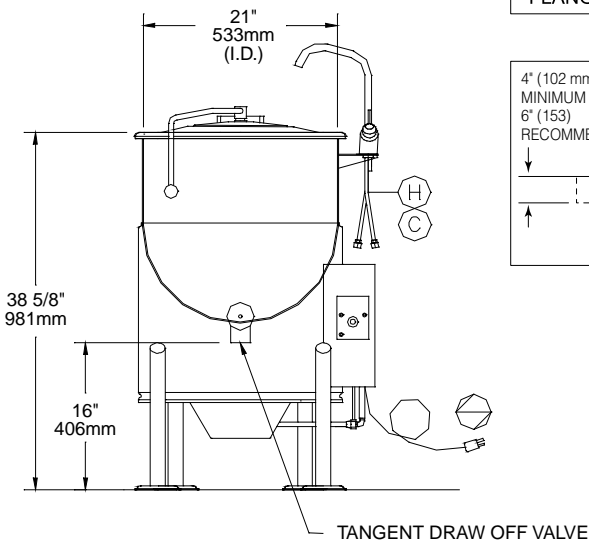
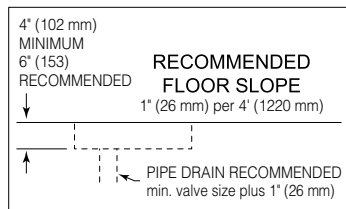
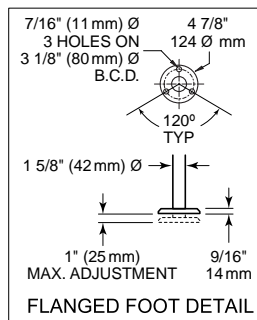
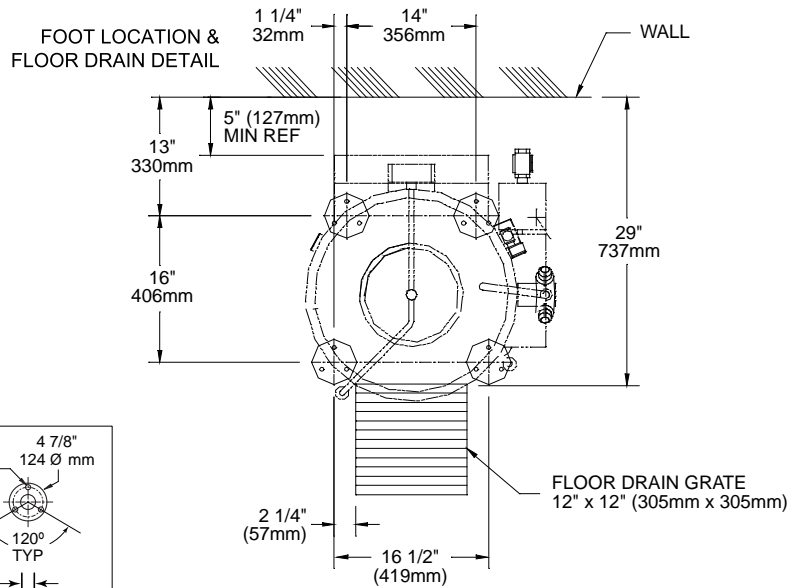
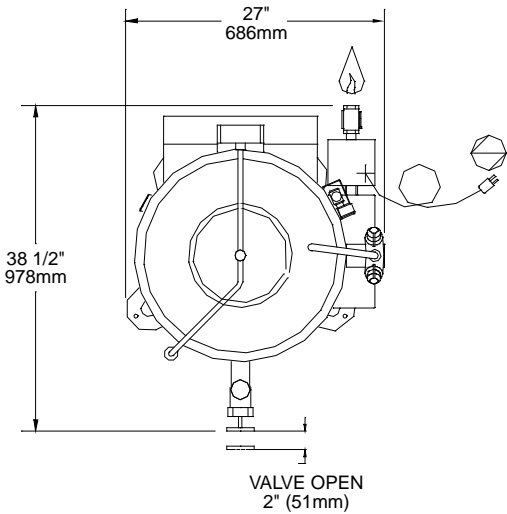


Short Form Specifications

Shall be CLEVELAND, Gas Kettle, self-contained, Stationary, Model KGL-25; 25 gallons, natural or LP gas, 2/3 Steam Jacketed, Type 304 Stainless Steel and supports. Jacket rated at 50psi with Safety Valve. Complete with "Splash-Proof" Solid-State Water Level, Temperature, and Safety Low Water Power Cut-Off, including L.E.D. Indicators for Heat Cycle and Low Water Warning.

- Food Strainer (FS)
- Hot and cold water faucet (DPK), or cold water (SPK).
- Kettle Accessory Kit (KAK) includes:
 - Clean-up Brush (CB)
 - 36" Kettle Paddle (KP)
 - 36" Kettle Whip (KW)
 - 36" Kettle Brush
 - Draw-Off Brush (DB)
 - 24 oz. Ladle (KL)
- Correctional Packages

•CAPACITIES: (in 4 oz. servings, other sizes may be calculated)
25 gallons / 100 liters..... 426 servings



UNIT SHOWN WITH STANDARD TDV-2 AND OPTIONAL SPRING ASSIST COVER AND DOUBLE PANTRY FAUCET.

SPECIFICATIONS

MODEL	ELECTRICAL SUPPLY:				GAS SUPPLY:				(PIPING 3/4 NPT)				APPROVALS				CLEARANCE:	SHIPPING WEIGHT
	VOLTS	PHASE	AMPS	FREQ	TYPE	BTU RATING	WATER COLUMN	BTU PER CU. FT.	SUPPLY PRESSURE	AGA	CGA	CE MARK	NSF	RIGHT: 0 inches	LEFT: 0 inches	REAR: 6 inches		
KGL-25	120	1	5	60	NAT	90,000	4.2	1000	4" TO 14" W.C.	✓	✓		✓					
	120	1	5	60	LP	90,000	10	2500	4" TO 14" W.C.	✓	✓		✓					
	220	1	3	60	NAT	90,000	4.2	1000	4" TO 14" W.C.				✓					
	220	1	3	60	LP	90,000	10	2500	4" TO 14" W.C.				✓					

NOTES

1. MANUFACTURER MUST BE NOTIFIED IF UNIT WILL BE OPERATING ABOVE 2,000 FOOT ALTITUDE.
2. CONSULT FACTORY FOR MANUFACTURED GAS.
3. ALL VERTICAL DIMENSIONS SHOWN ARE MINIMUM. FEET ARE ADJUSTABLE TO 1 INCH MAXIMUM.
4. UNIT COMES WITH 6' POWER CORD.

NOTES:

Cleveland Range reserves right of design improvement or modification, as warranted.
Many regional, state and local codes exist and it is the responsibility of the owner and installer to comply with the codes.
Installation of backflow preventers, vacuum breakers and other specific coder requirements is the responsibility of the owner and installer.
Cleveland Range equipment is built to comply with applicable standards for manufacturers. Included among those approval agencies are U.L., A.G.A., NSF, ASME/N.Bd., CSA, CGA, ETL and others.

(NOT TO SCALE)
SECT. IX PAGE 6
0609
Litho in U.S.A.